



Raychem

TE Internal #: A34326-000

Twisted Pair Cable, Spec 55, 600VAC Twisted Pair Cable Voltage Rating, 22AWG Wire Size, Operating Temperature Range -65 – 150 °C

[View on TE.com >](#)

Wire & Cable > Twisted Pair Cable

Twisted Pair Cable Type: **Spec 55**Twisted Pair Cable Voltage Rating: **600 VAC**Twisted Pair Cable Insulation Material: **Modified Radiation Cross-linked ETFE Polymer**Twisted Pair Cable Conductor Material: **Tin-Coated Copper**Wire Size: **22 AWG**

Features

Product Type Features

Twisted Pair Cable Type	Spec 55
-------------------------	---------

Electrical Characteristics

Twisted Pair Cable Voltage Rating	600 VAC
-----------------------------------	---------

Body Features

Twisted Pair Cable Insulation Material	Modified Radiation Cross-linked ETFE Polymer
--	--

Twisted Pair Cable Conductor Material	Tin-Coated Copper
---------------------------------------	-------------------

Dimensions

Wire Size	22 AWG
-----------	--------

Usage Conditions

Operating Temperature Range	-65 – 150 °C
-----------------------------	--------------

Product Compliance

For compliance documentation, visit the product page on TE.com>

EU RoHS Directive 2011/65/EU	Compliant
------------------------------	-----------

EU ELV Directive 2000/53/EC	Compliant
-----------------------------	-----------

China RoHS 2 Directive MIIT Order No 32, 2016	No Restricted Materials Above Threshold
---	---



EU REACH Regulation (EC) No. 1907/2006

Current ECHA Candidate List: JUL 2021 (219)

Candidate List Declared Against: JUL 2021 (219)

Does not contain REACH SVHC

Halogen Content

Out of Scope - excluded from Halogen requirements

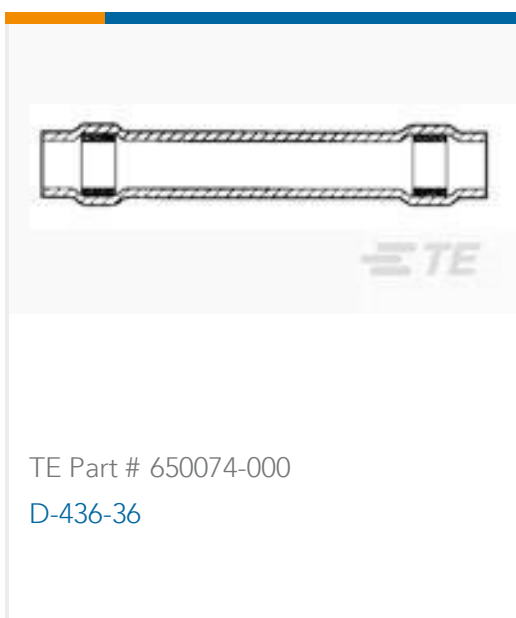
Solder Process Capability

Not applicable for solder process capability

Product Compliance Disclaimer

This information is provided based on reasonable inquiry of our suppliers and represents our current actual knowledge based on the information they provided. This information is subject to change. The part numbers that TE has identified as EU RoHS compliant have a maximum concentration of 0.1% by weight in homogenous materials for lead, hexavalent chromium, mercury, PBB, PBDE, DBP, BBP, DEHP, DIBP, and 0.01% for cadmium, or qualify for an exemption to these limits as defined in the Annexes of Directive 2011/65/EU (RoHS2). Finished electrical and electronic equipment products will be CE marked as required by Directive 2011/65/EU. Components may not be CE marked. Additionally, the part numbers that TE has identified as EU ELV compliant have a maximum concentration of 0.1% by weight in homogenous materials for lead, hexavalent chromium, and mercury, and 0.01% for cadmium, or qualify for an exemption to these limits as defined in the Annexes of Directive 2000/53/EC (ELV). Regarding the REACH Regulation, the information TE provides on SVHC in articles for this part number is based on the latest European Chemicals Agency (ECHA) 'Guidance on requirements for substances in articles' posted at this URL: <https://echa.europa.eu/guidance-documents/guidance-on-reach>

Compatible Parts



TE Part # 650074-000
D-436-36

Customers Also Bought




TE Part #821795-000
55PC0811-12-9



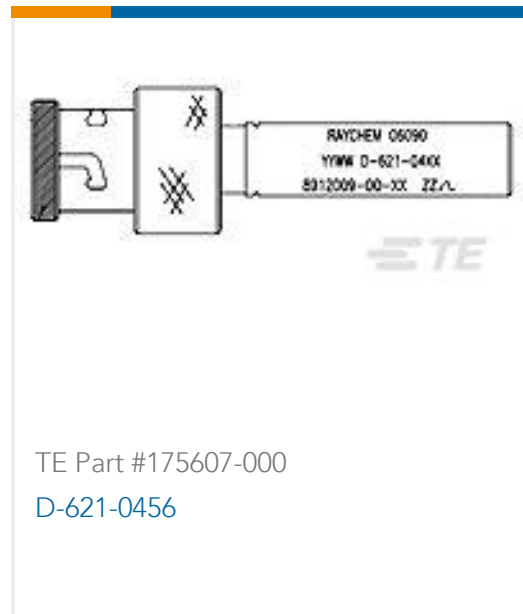
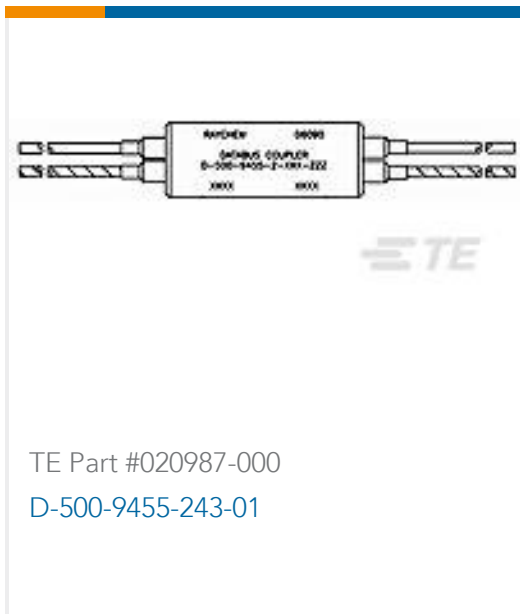
TE Part #679541-000
55PC0811-14-9



TE Part #351531-000
55PC0811-18-9



TE Part #CU0390-000
55PC1221-14-9/96-9



Documents

Product Drawings

[55PC1821-22-6/9-9](#)

English

Datasheets & Catalog Pages

[1654025_Sec9_SPEC55](#)

English

[Raychem Wire and Cable Quick Reference Guide](#)

English

Product Specifications

[Product Specification](#)

English

Mouser Electronics

Authorized Distributor

Click to View Pricing, Inventory, Delivery & Lifecycle Information:

[TE Connectivity:](#)

[55PC1821-22-6/9-9](#)