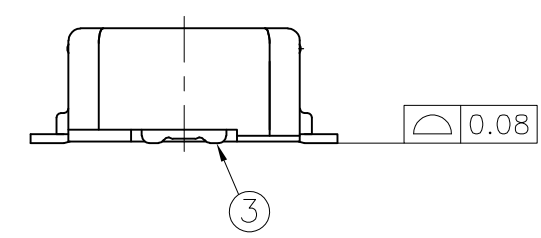
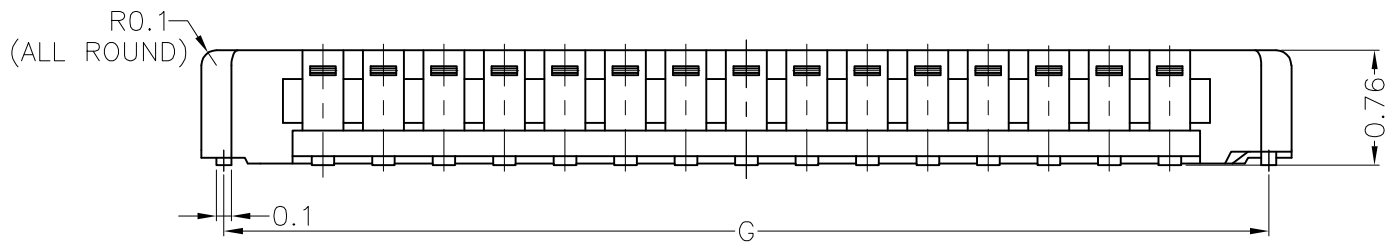
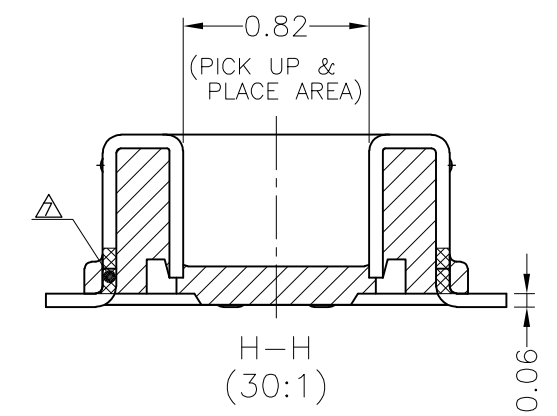
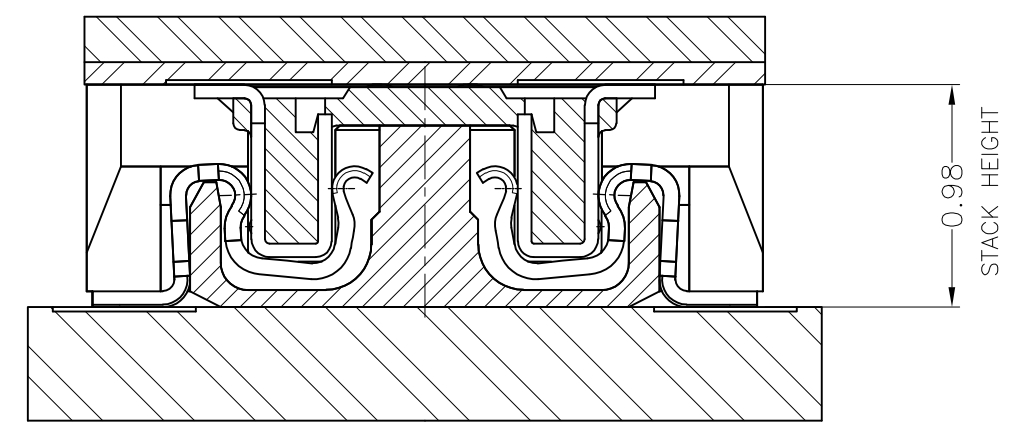
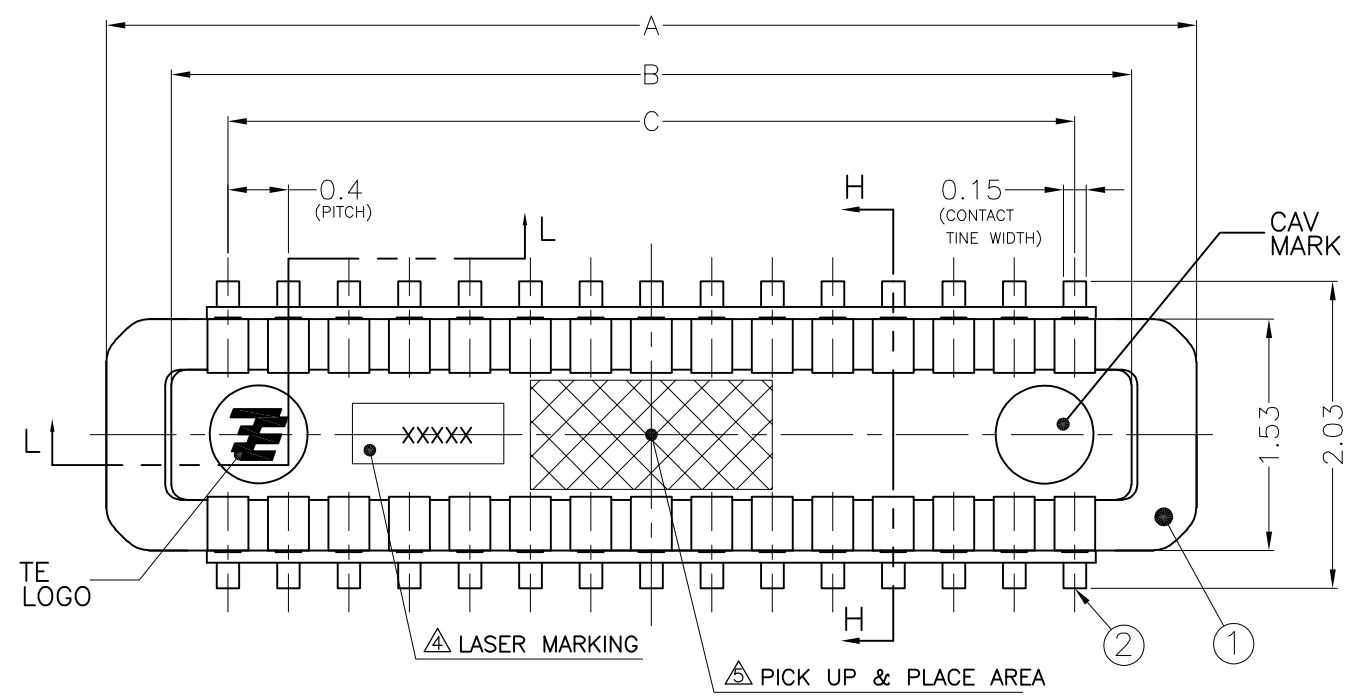


THIS DRAWING IS UNPUBLISHED. RELEASED FOR PUBLICATION
 © COPYRIGHT - By Tyco Electronics Japan G.K. ALL RIGHTS RESERVED.

LOC	DIST	REVISIONS				
		P	LTR	DESCRIPTION	DATE	DWN
J	-	A	RELEASED	02AUG2012	C.H	T.K



Ni UNDER PL; 0.65um Sn PL.; 2~5um	COPPER ALLOY	PLUG PEG	3
Ni UNDER PL; 0.65um Au PL.(CONTACT AREA); 0.1um MIN. Au PL.(TINE AREA); 0.05um MIN.	COPPER ALLOY	PLUG CONTACT	2
	LCP,UL94V-0,BLACK	PLUG HOUSING	1
△ FINISH	△ MATERIAL	NAME	ITEM NO.

THIS DRAWING IS A CONTROLLED DOCUMENT.

DIMENSIONS: mm	TOLERANCES UNLESS OTHERWISE SPECIFIED:	DWN C.HIKAGE 02AUG2012	TE Connectivity			
	0 PLC ± 0.1 1 PLC ± 0.1 2 PLC ± 0.1 3 PLC ± 0.1 4 PLC ± 0.1 ANGLES ± 3°	CHK A.KUBO 02AUG2012				
		APVD T.KUSUHARA 02AUG2012				
		PRODUCT SPEC 108-78916				
MATERIAL △	FINISH △	APPLICATION SPEC 411-78379	NAME 0.4mm PITCH STACKING CONNECTOR PLUG ASSEMBLY 0.98mm HEIGHT			
		WEIGHT	SIZE A3	CAGE CODE 00779	DRAWING NO C-2201196	RESTRICTED TO
CUSTOMER DRAWING			SCALE 20:1	SHEET 1 OF 3	REV A	

THIS DRAWING IS UNPUBLISHED.

RELEASED FOR PUBLICATION

—, —

LOC

DIST

REVISIONS

© COPYRIGHT - By Tyco Electronics Japan G.K.

ALL RIGHTS RESERVED.

J

—

P

LTR

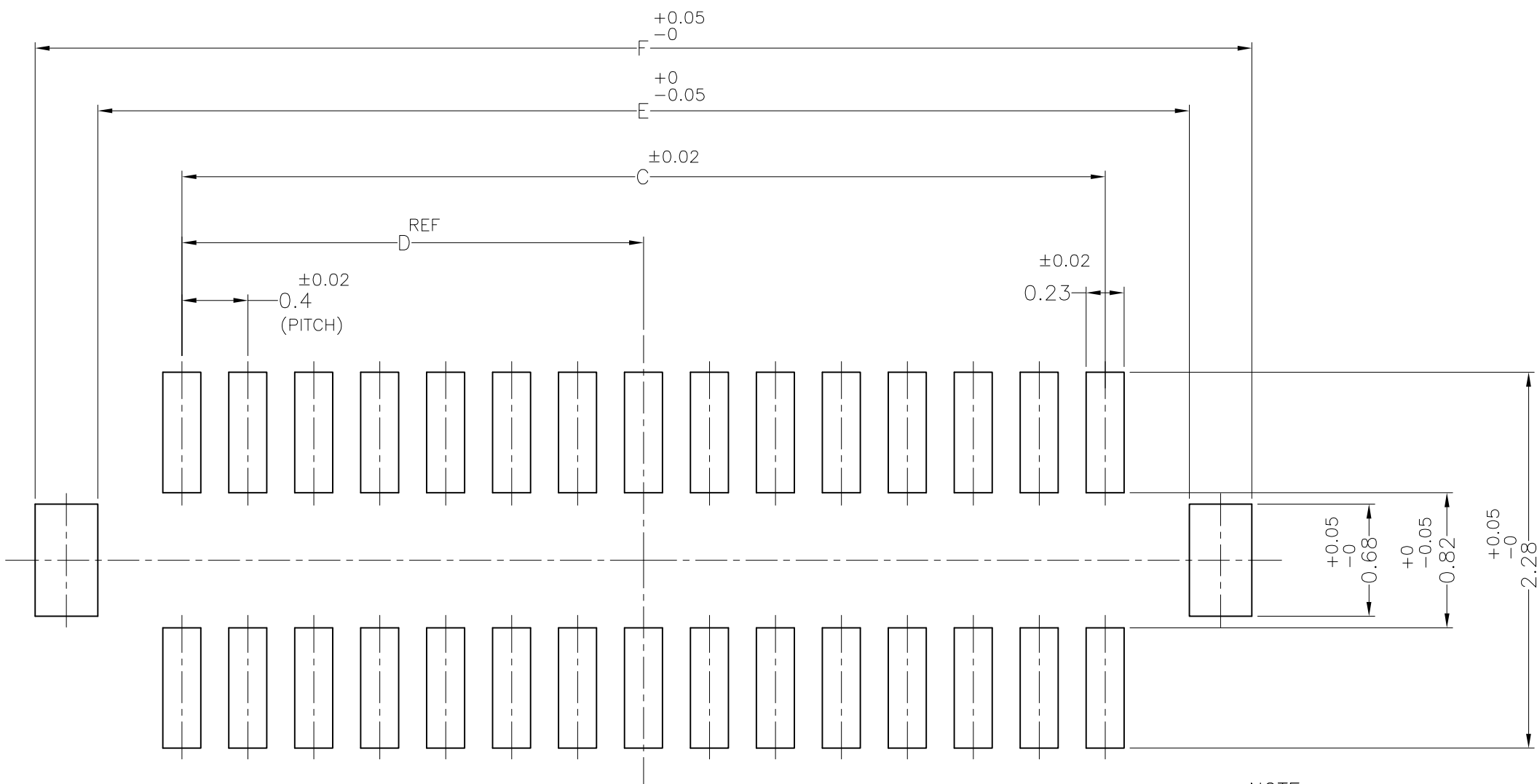
DESCRIPTION

DATE

DWN

APVD

SEE SHEET 1



△ REFERENCE PCB LAYOUT
(VIEWED FROM MOUNTING SIDE)

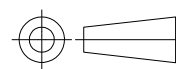
NOTE

- ① MATERIAL REFER TO THE TABLE.
- ② FINISH REFER TO THE TABLE.
- 3. MATING CONNECTOR : P/N: *-2201197-*
- ④ LASER MARKING; XXXXX
DATE CODE MACHINE CODE
(YWW)
- ⑤ PICK UP THE CONNECTOR AT CENTER
- ⑥ RECOMMENDED METAL MASK; THICKNESS 0.1mm
- ⑦ Ni DAM AREA

THIS DRAWING IS A CONTROLLED DOCUMENT.

DIMENSIONS:

mm



TOLERANCES UNLESS OTHERWISE SPECIFIED:

0 PLC	± 0.1
1 PLC	± 0.1
2 PLC	± 0.1
3 PLC	± 0.1
4 PLC	± 0.1
ANGLES	± 3'

MATERIAL

FINISH

DWN	—
CHK	—
APVD	—
PRODUCT SPEC	—
APPLICATION SPEC	—
WEIGHT	—



NAME

0.4mm PITCH STACKING CONNECTOR
PLUG ASSEMBLY 0.98mm HEIGHT

SIZE

CAGE CODE

DRAWING NO

RESTRICTED TO

A3

00779

C-2201196

CUSTOMER DRAWING

SCALE

NTS

SHEET

2 OF 3

REV

A

THIS DRAWING IS UNPUBLISHED.

RELEASED FOR PUBLICATION

© COPYRIGHT - By Tyco Electronics Japan G.K.

ALL RIGHTS RESERVED.

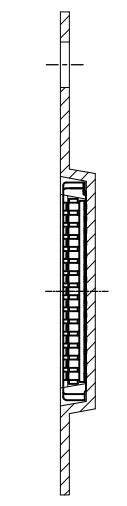
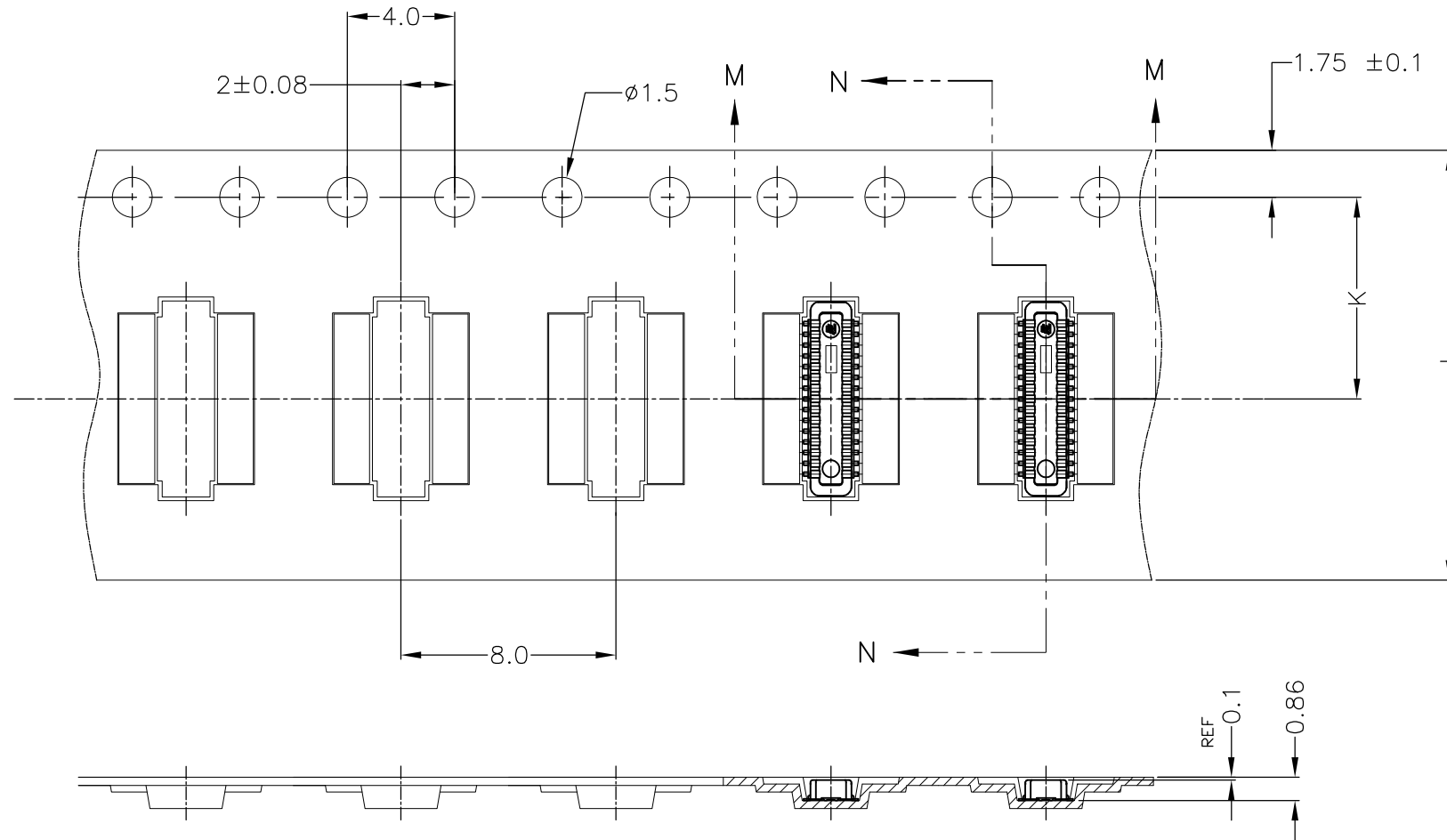
LOC
J

DIST
-

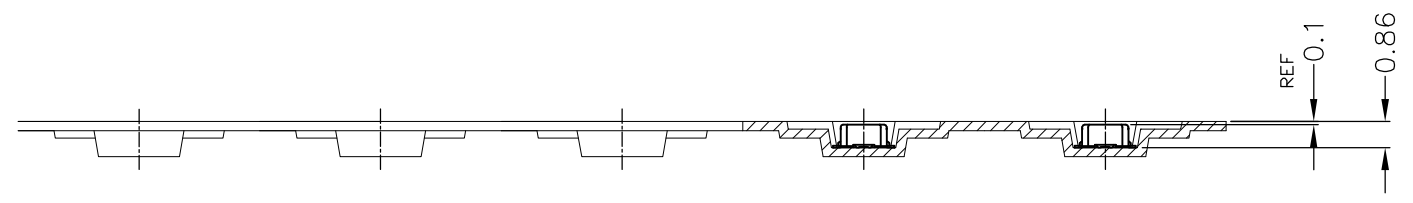
REVISIONS

P	LTR	DESCRIPTION	DATE	DWN	APVD
-	-	SEE SHEET 1	-	-	-

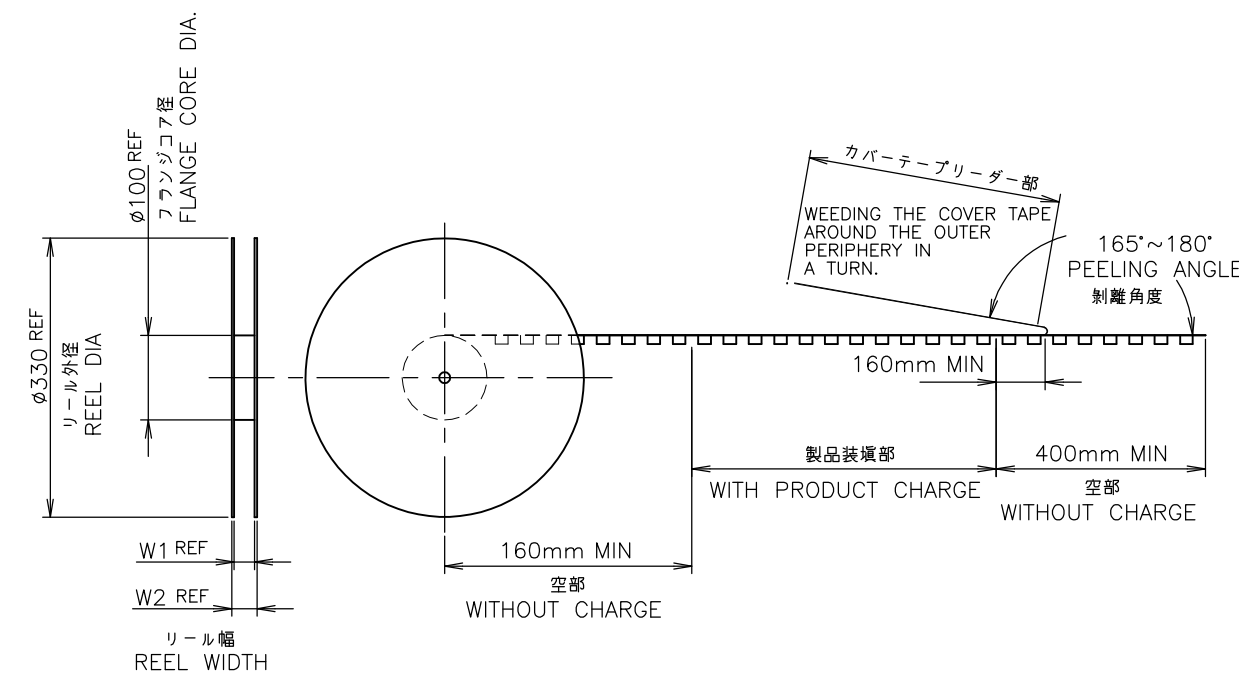
UNREELING DIRECTION



N-N



M-M



741.0	22.1	17.5	7.5	16	6.91	7.38	6.62	2.8	5.6	6.35	7.21	5000	30	3-2201196-0
731.5	22.1	17.5	7.5	16	5.71	6.18	5.42	2.2	4.4	5.15	6.01		24	2-2201196-4
708.5	18.1	13.5	5.5	12	2.91	3.38	2.62	0.8	1.6	2.35	3.21		10	1-2201196-0
REEL WEIGHT(g)	W2	W1	K	J	G	F	E	D	C	B	A	QTY/REEL	Pos.	PART NUMBER

THIS DRAWING IS A CONTROLLED DOCUMENT.

STE TE Connectivity

NAME: 0.4mm PITCH STACKING CONNECTOR PLUG ASSEMBLY 0.98mm HEIGHT

SIZE: A3 CAGE CODE: 00779 DRAWING NO: C-2201196 RESTRICTED TO: []

MATERIAL: [] FINISH: [] WEIGHT: []

CUSTOMER DRAWING SCALE: NTS SHEET: 3 of 3 REV: A

Mouser Electronics

Authorized Distributor

Click to View Pricing, Inventory, Delivery & Lifecycle Information:

[TE Connectivity:](#)

[2-2201196-4](#)