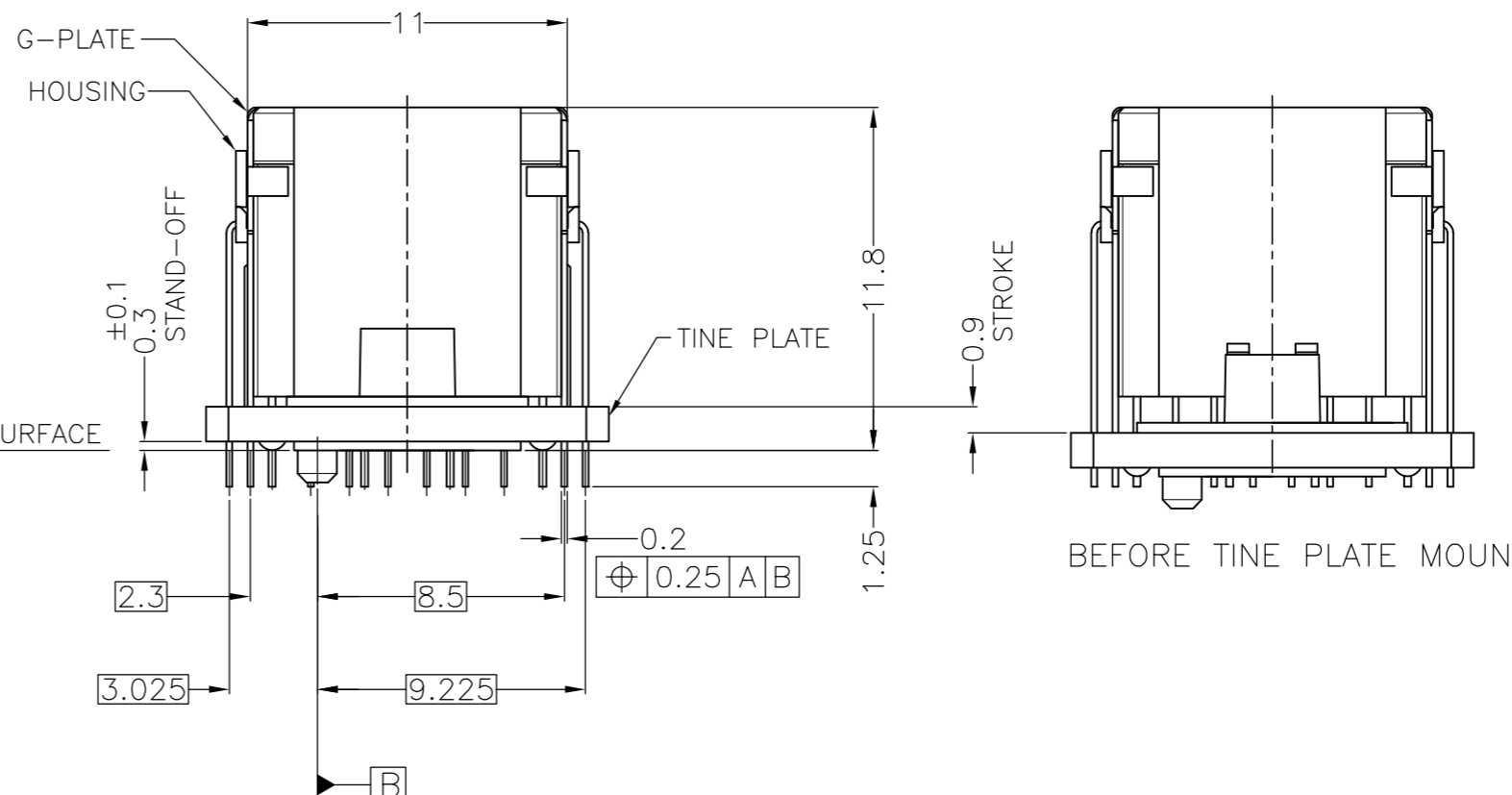
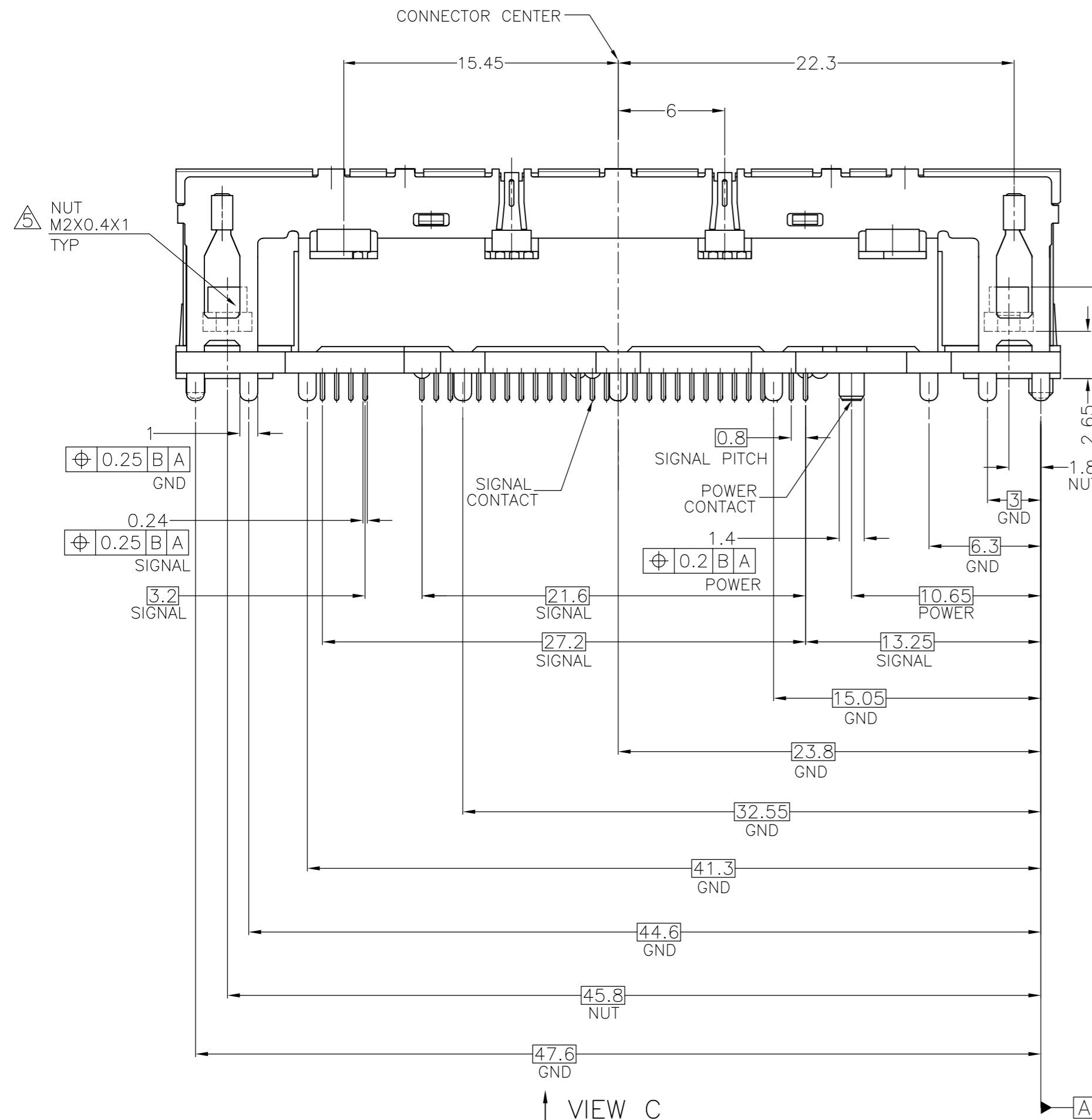
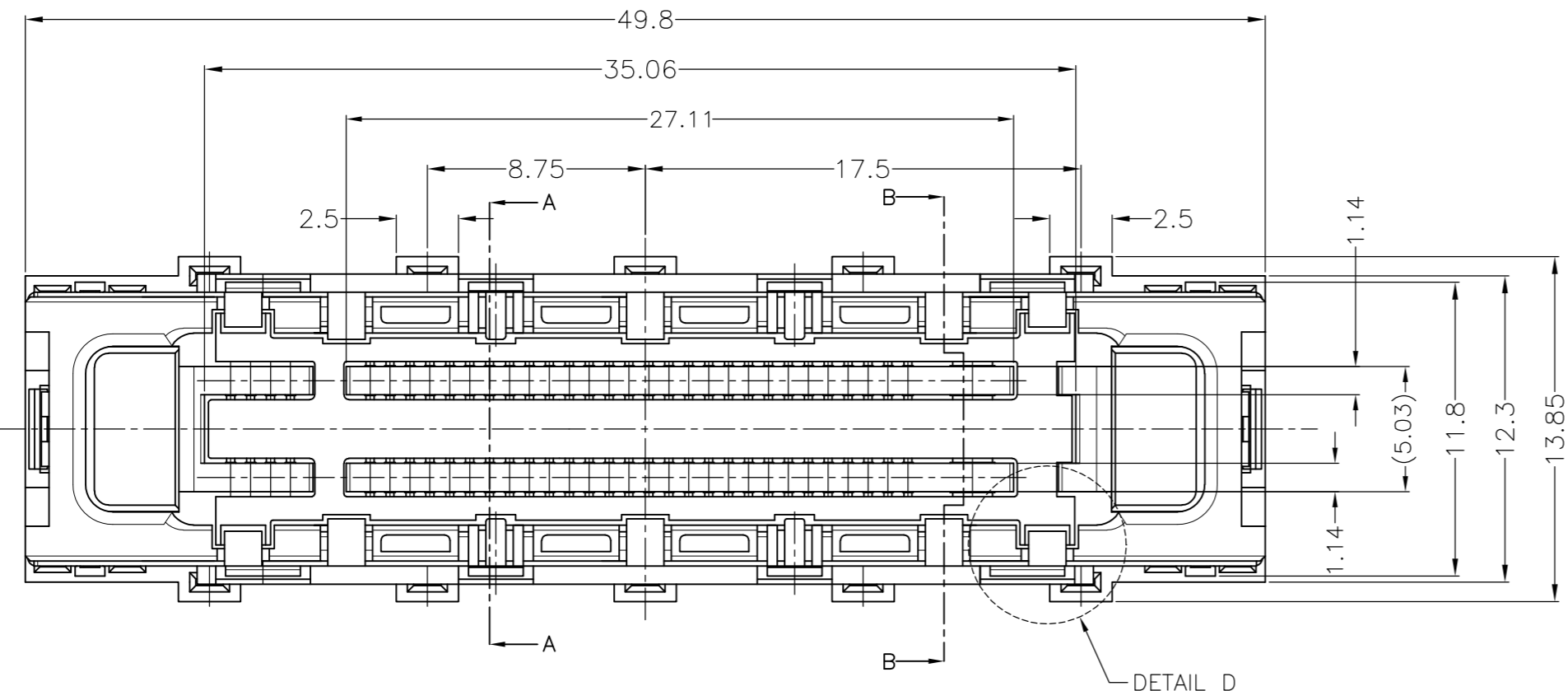


THIS DRAWING IS UNPUBLISHED. RELEASED FOR PUBLICATION  
 © COPYRIGHT 2005 BY TYCO ELECTRONICS CORPORATION. ALL RIGHTS RESERVED.

LOC	DIST	REVISIONS					
J		P	LTR	DESCRIPTION	DATE	DWN	APVD
		A		RELEASED	12MAY2008	M.T	T.F



BEFORE TINE PLATE MOUNT

- 1 ; AS SHOWN  
 THE NUMBER OF PINS  
 SIGNAL 112P  
 POWER 4P  
 SIGNAL 8P  
 VOID 20P

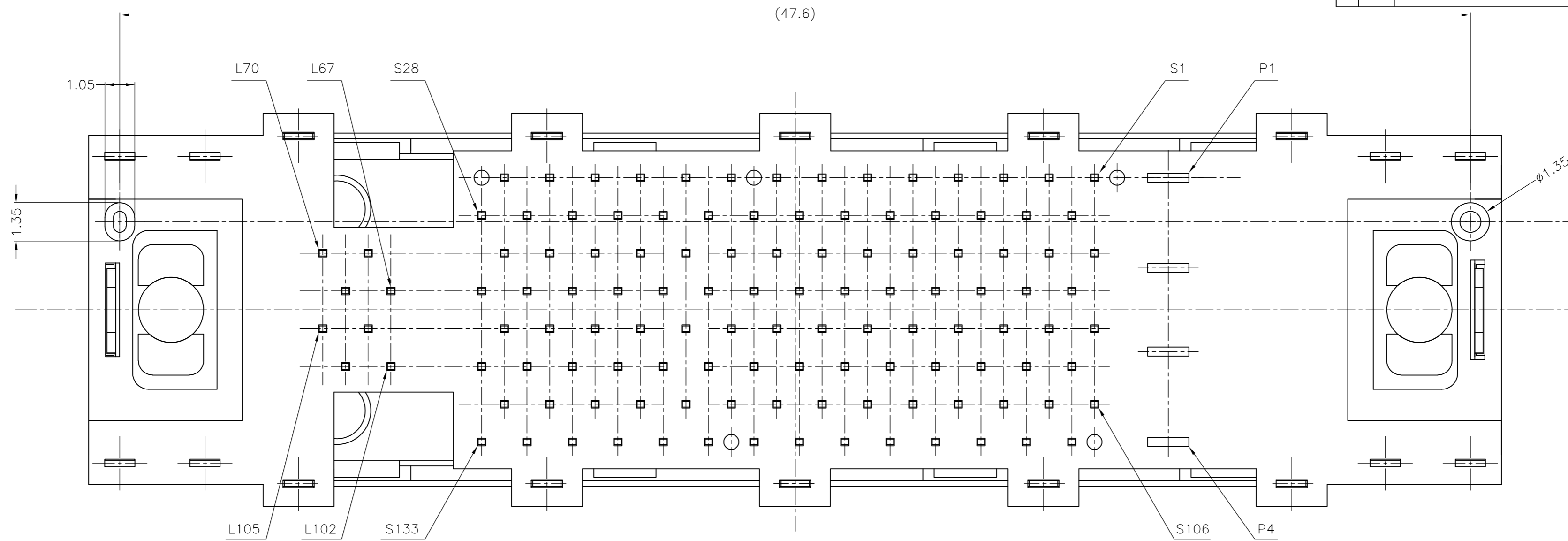
VIEW C

GENERAL TOLERANCE  
 一般公差  
 10 ≥ ±0.2  
 30 ≥ > 10: ±0.25  
 100 ≥ > 30: ±0.3  
 ANGLES: ±3°

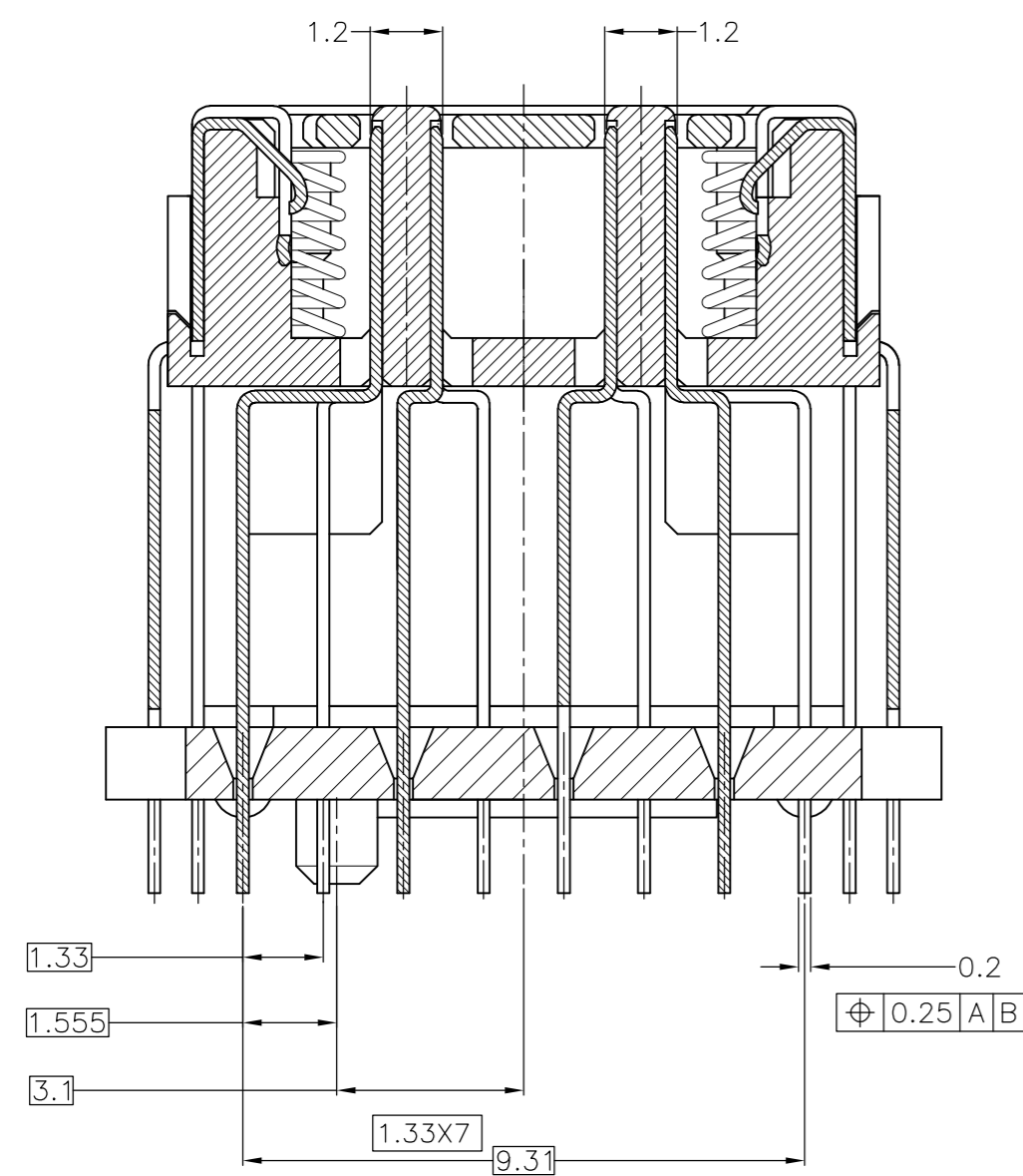
THIS DRAWING IS A CONTROLLED DOCUMENT.		DWN M.TANAKA 12MAY2008	Tyco Electronics Corporation Kawasaki, Japan
DIMENSIONS: 単位: 純 mm		CHK I.JGARASHI 12MAY2008	
TOLERANCES UNLESS OTHERWISE SPECIFIED 一般公差		APVD T.FUTATSUGI 12MAY2008	NAME 0.8 DOCKING CONNECTOR H=11.8 PLUG 140P/POWER 4P WITH SHUTTER
0 PLC ± 1 PLC ± 2 PLC ± 3 PLC ± 4 PLC ± ANGLES ±		APPLICATION SPEC. 取付適用規格	SIZE A2
MATERIAL 材料		FINISH 仕上	CAGE CODE 00779
WEIGHT		DRAWING NO. 番号 C=2040928	RESTRICTED TO
CUSTOMER DRAWING		SCALE 尺度 4:1	SHEET 1 of 4
		REV A	

THIS DRAWING IS UNPUBLISHED. RELEASED FOR PUBLICATION .2005.  
 © COPYRIGHT 2005 BY TYCO ELECTRONICS CORPORATION. ALL RIGHTS RESERVED.

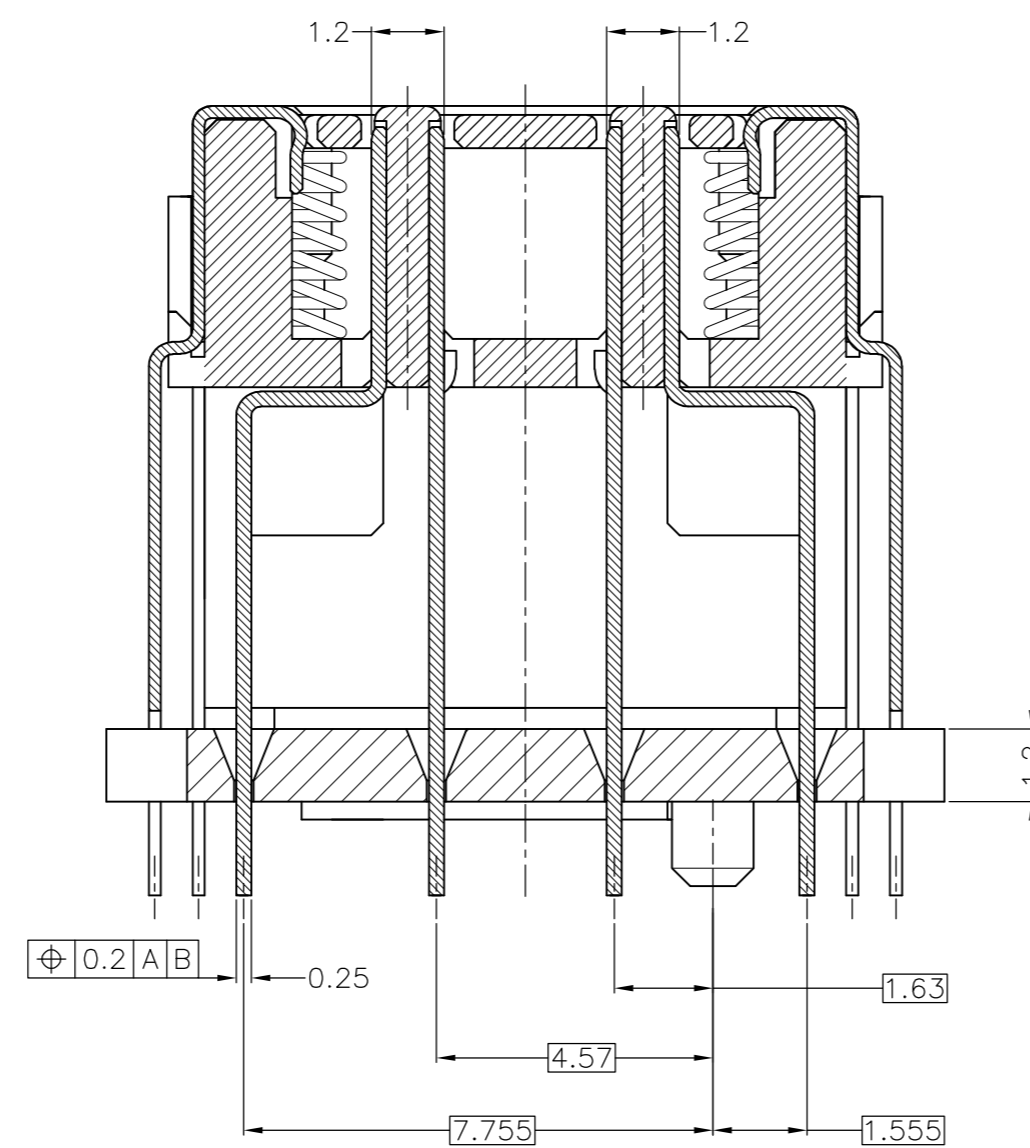
LOC	DIST	REVISONS			DATE	DWN	APVD
J		P	LTR	DESCRIPTION			
				SEE SHEET 1			



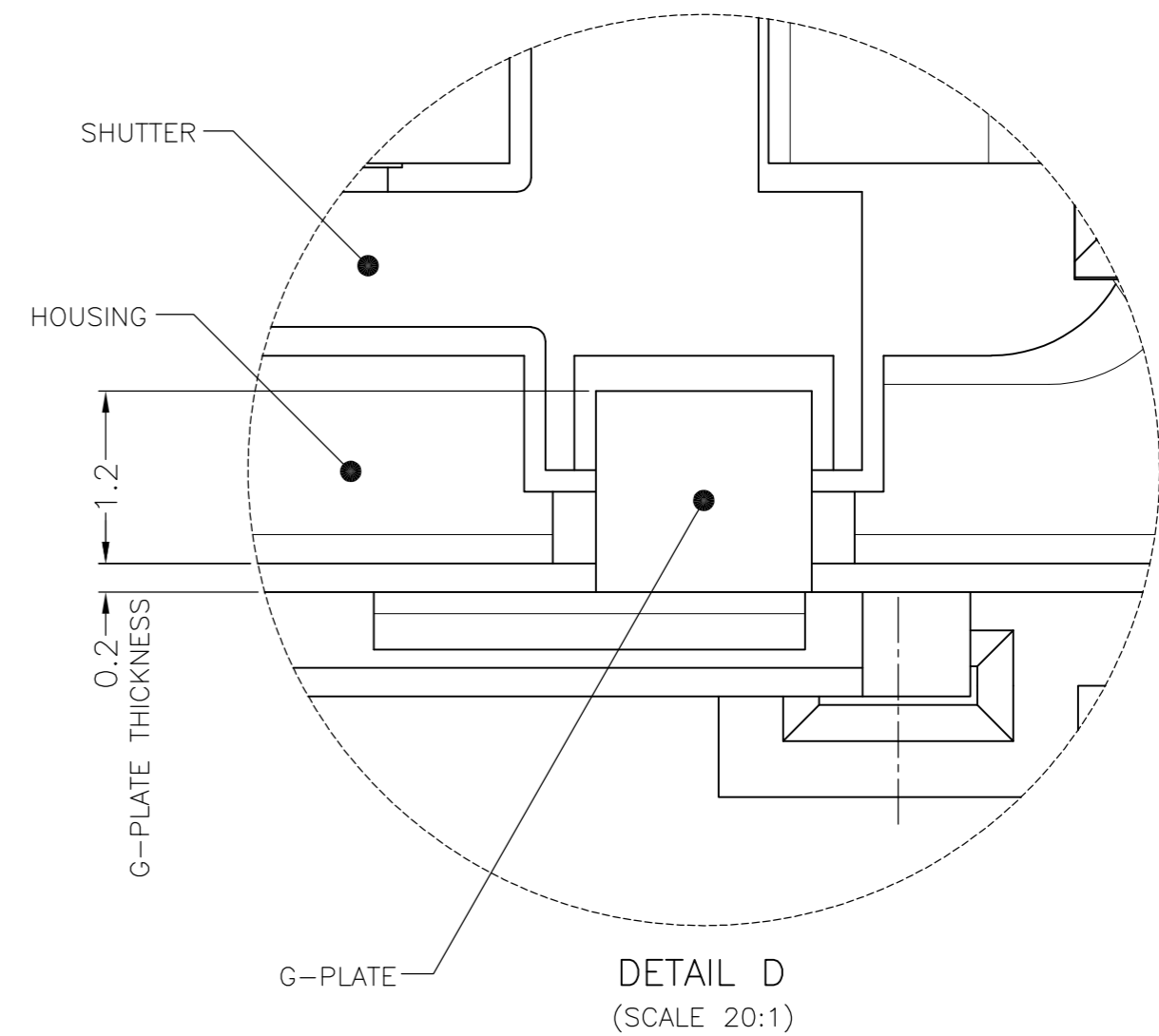
VIEW C



SECT. A-A



SECT. B-B

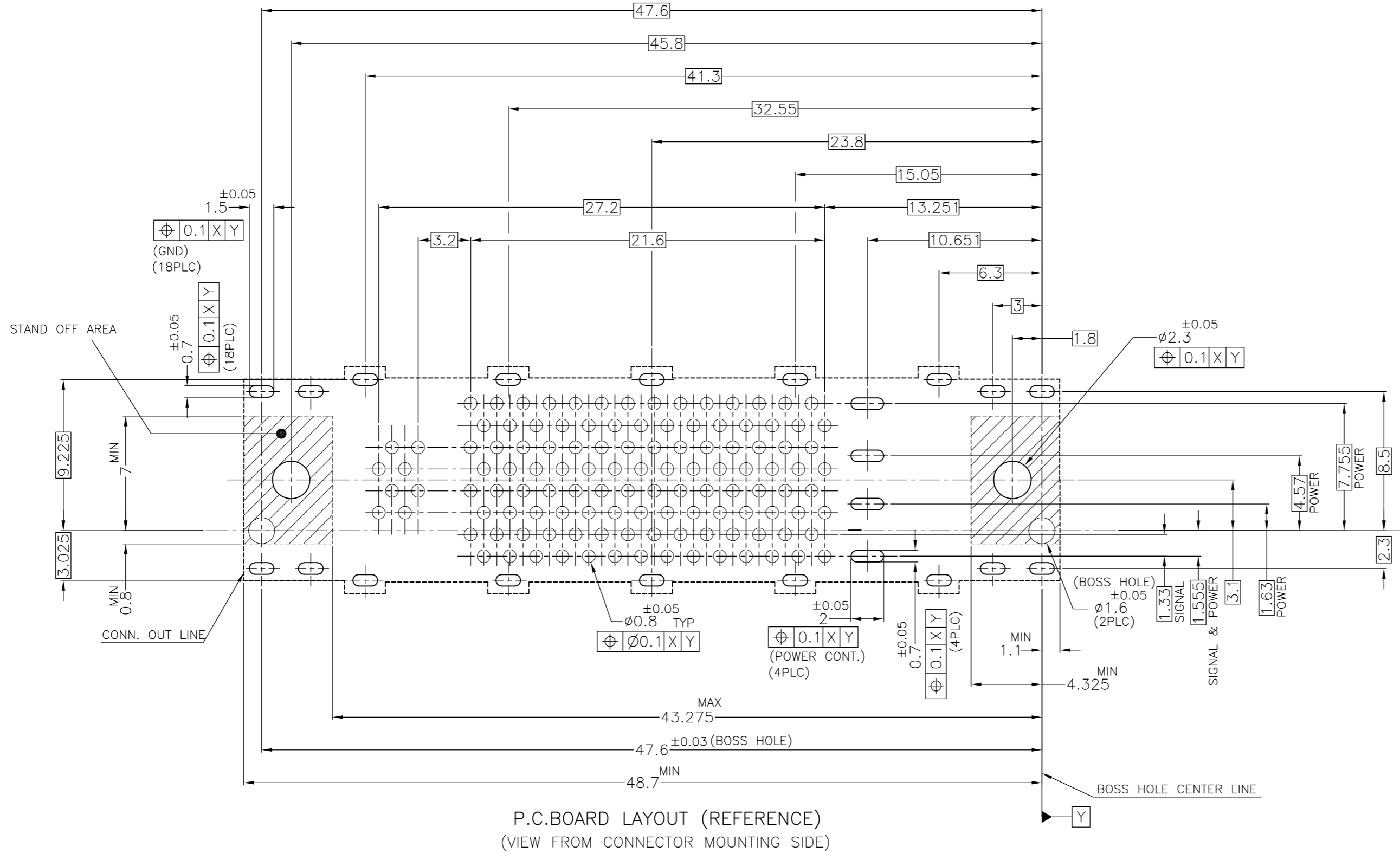


DETAIL D (SCALE 20:1)

GENERAL TOLERANCE  
 一般公差  
 10 ≥ : ±0.2  
 30 > 10: ±0.25  
 100 ≥ > 30: ±0.3  
 ANGLES: ±3°

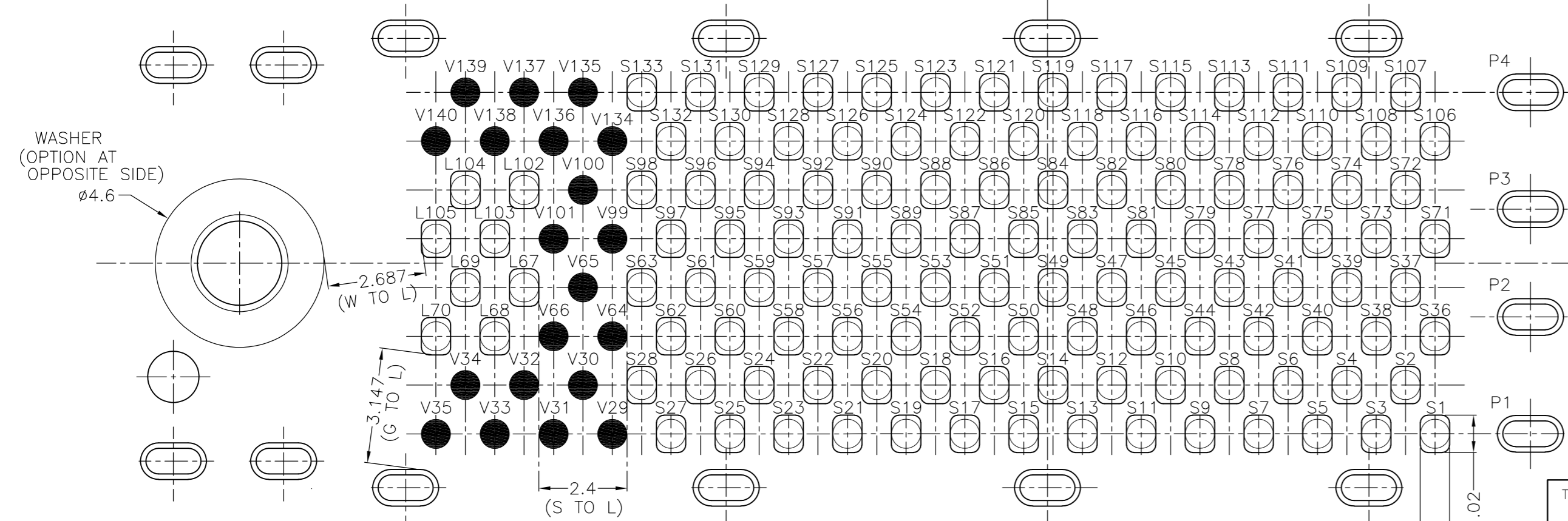
THIS DRAWING IS A CONTROLLED DOCUMENT.		DWN
DIMENSIONS: 单位: 毫米 mm		CHK
TOLERANCES UNLESS OTHERWISE SPECIFIED 一般公差		APVD
0 PLC ±	1 PLC ±	PRODUCT SPEC 製品規格
2 PLC ±	3 PLC ±	APPLICATION SPEC 取付適用規格
4 PLC ±	ANGLES ±	WEIGHT
MATERIAL 材料	FINISH 仕上	CUSTOMER DRAWING

Tyco Electronics Tyco Electronics Corporation Kawasaki, Japan		NAME 名称	0.8 DOCKING CONNECTOR H=11.8 PLUG 140P/POWER 4P WITH SHUTTER
SIZE A2	CAGE CODE 00779	DRAWING NO 番号 C=2040928	RESTRICTED TO
SCALE 尺度 8:1	SHEET 2 of 4	REV A	



P.C. BOARD LAYOUT (REFERENCE)  
 (VIEW FROM CONNECTOR MOUNTING SIDE)

- △ 材質  
 ハウジング :熱可塑性樹脂 UL94V-0, 黒  
 タイムプレート :熱可塑性樹脂 UL94V-0, 黒  
 シャッター :熱可塑性樹脂 UL94V-0, 黒  
 シグナルコンタクト :銅合金  
 パワーコンタクト :銅合金  
 グランドプレート :銅合金  
 スプリング :SWP
- △ 仕上  
 シグナルコンタクト & パワーコンタクト :  
 ニッケル下地接点部金めっき、はんだ付け部すずめっき  
 グランドプレート : すずめっき(リフロー)
- 3 適用基板厚 : 1.2±0.1mm  
 4 かん合相手型番 : 1903385-1
- △ 推奨ねじ締め付けトルク :  
 0.15N・m(1.5kgf・cm)から0.2N・m(2kgf・cm)
- △ MATERIAL  
 HOUSING :THERMOPLASTIC, UL94V-0, BLACK  
 TIME PLATE :THERMOPLASTIC, UL94V-0, BLACK  
 SHUTTER :THERMOPLASTIC, UL94V-0, BLACK  
 SIGNAL CONTACT :COPPER ALLOY  
 POWER CONTACT :COPPER ALLOY  
 GROUND PLATE :COPPER ALLOY  
 SPRING :SWP
- △ FINISH  
 SIGNAL CONTACT & POWER CONTACT:  
 Au PL. ON CONTACT AREA  
 Sn PL. ON SOLDER AREA  
 Ni UNDER PL. ALL OVER  
 GROUND PLATE:  
 Sn PL. (REFLOW)
- 3 APPLICABLE THICKNESS OF P.C.BOARD :1.2±0.1mm  
 4 CONNECTOR TO BE MATED :1903385-1  
 △ RECOMMENDED TIGHTENING TORQUE :  
 FROM 0.15N・m(1.5kgf・cm) TO 0.2N・m(2kgf・cm)



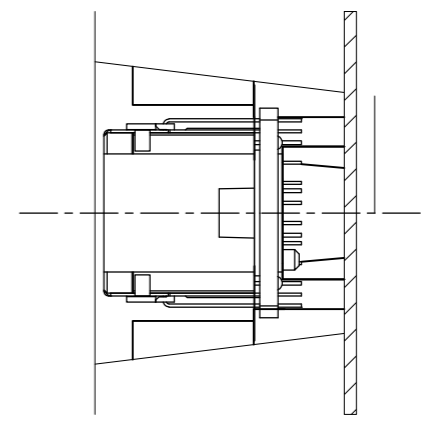
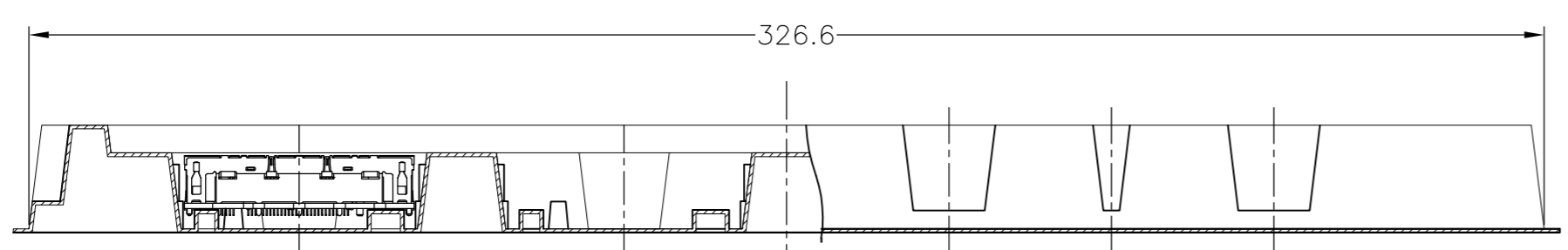
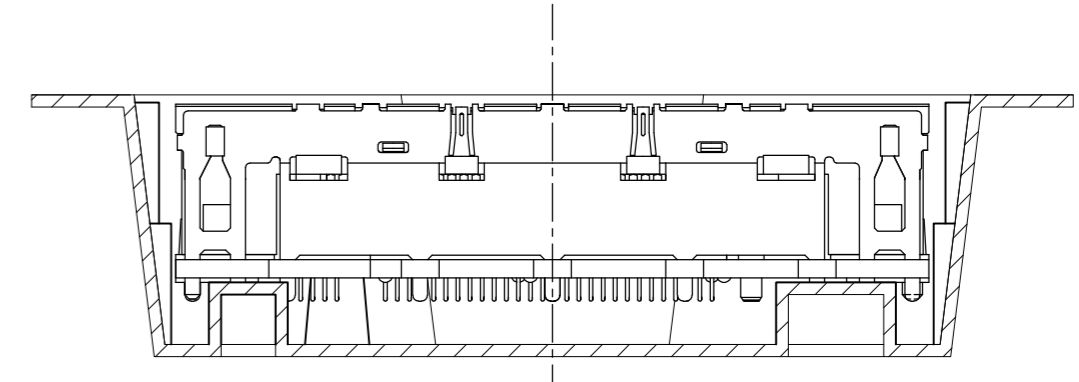
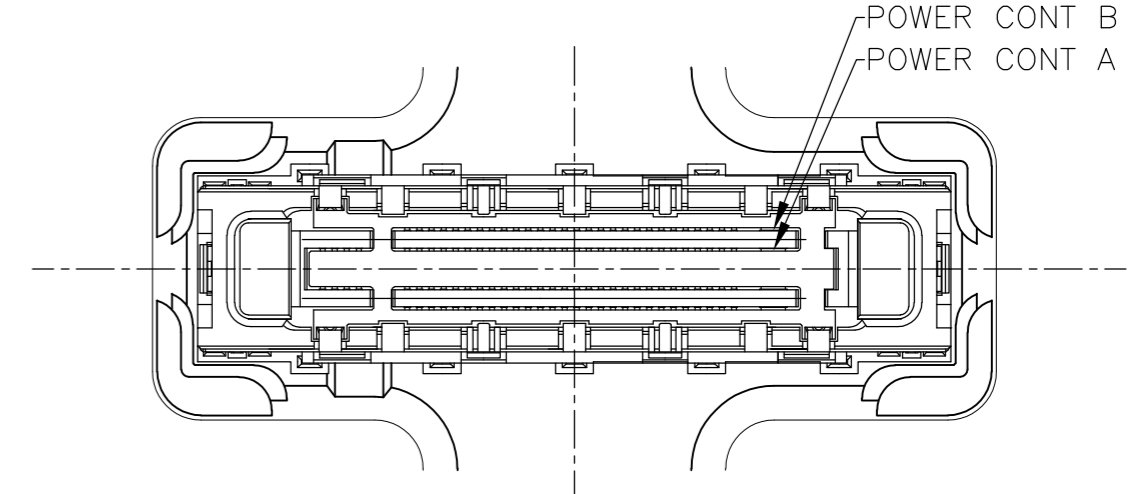
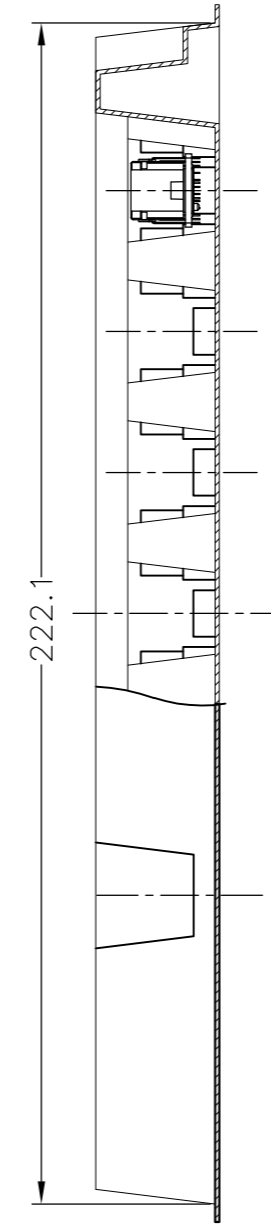
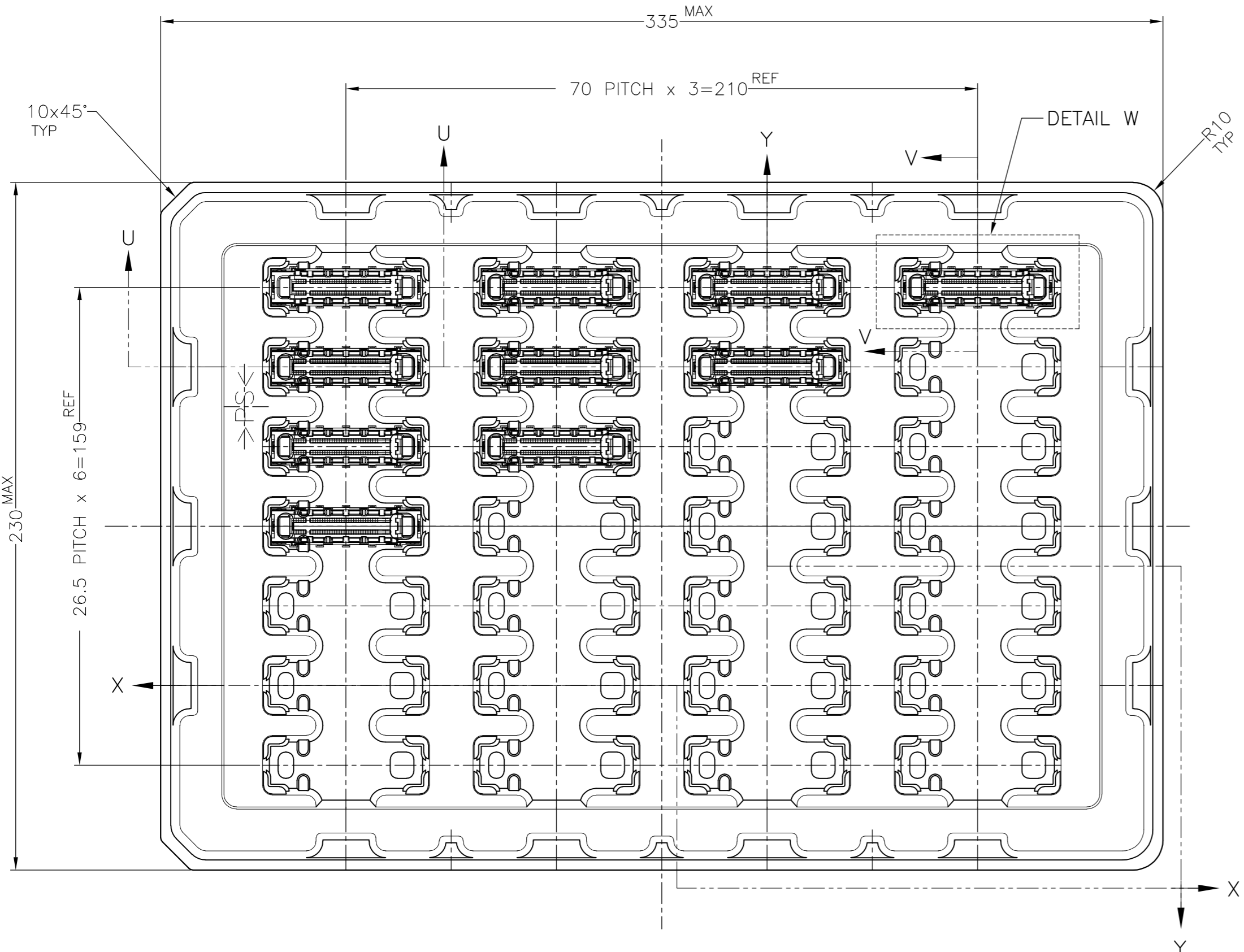
DETAIL B  
 (SCALE 8:1)

S27  
 CIRCUIT NO.  
 S: SIGNAL  
 P: POWER  
 V: VOID  
 L: LAN

THIS DRAWING IS A CONTROLLED DOCUMENT.		DWN	Tyco Electronics Corporation Kawasaki, Japan		
DIMENSIONS: 単位: 粋 mm		CHK	NAME 名称 0.8 DOCKING CONNECTOR H=11.8 PLUG 140P/POWER 4P WITH SHUTTER		
TOLERANCES UNLESS OTHERWISE SPECIFIED 一般公差		APVD	SIZE CAGE CODE DRAWING NO. 番号 A2 00779 C=2040928		
0 PLC ± 1 PLC ± 2 PLC ± 3 PLC ± 4 PLC ±		PRODUCT SPEC 製品規格	RESTRICTED TO		
ANGLES ±		APPLICATION SPEC 取付適用規格	SCALE 尺度 4:1 SHEET 3 OF 4 REV A		
FINISH 仕上		WEIGHT	CUSTOMER DRAWING		
GENERAL TOLERANCE 一般公差 10 ≥ : ±0.2 30 > 10: ±0.25 100 ≥ > 30: ±0.3 ANGLES: ±3°					

THIS DRAWING IS UNPUBLISHED. RELEASED FOR PUBLICATION .2005.  
 © COPYRIGHT 2005 BY TYCO ELECTRONICS CORPORATION. ALL RIGHTS RESERVED.

LOC	DIST	REVISIONS					
J		P	LTR	DESCRIPTION	DATE	DWN	APVD
		-	-	SEE SHEET 1	-	-	-



THIS DRAWING IS A CONTROLLED DOCUMENT.		DWN	Tyco Electronics Corporation Kawasaki, Japan																						
DIMENSIONS: 單位: 毫米 mm		CHK	NAME 名称																						
TOLERANCES UNLESS OTHERWISE SPECIFIED: 一般公差		APVD	0.8 DOCKING CONNECTOR H=11.8 PLUG 140P/POWER 4P WITH SHUTTER																						
<table border="0"> <tr><td>Ø</td><td>PLC</td><td>±</td></tr> <tr><td>1</td><td>PLC</td><td>±</td></tr> <tr><td>2</td><td>PLC</td><td>±</td></tr> <tr><td>3</td><td>PLC</td><td>±</td></tr> <tr><td>4</td><td>PLC</td><td>±</td></tr> <tr><td colspan="2">ANGLES</td><td>±</td></tr> <tr><td colspan="2">FINISH</td><td>仕上</td></tr> </table>		Ø	PLC	±	1	PLC	±	2	PLC	±	3	PLC	±	4	PLC	±	ANGLES		±	FINISH		仕上	PRODUCT SPEC 製品規格	SIZE	CAGE CODE
Ø	PLC	±																							
1	PLC	±																							
2	PLC	±																							
3	PLC	±																							
4	PLC	±																							
ANGLES		±																							
FINISH		仕上																							
MATERIAL 材料		APPLICATION SPEC 取付適用規格	A2	00779																					
		WEIGHT	DRAWING NO 番号																						
		CUSTOMER DRAWING	C=2040928																						
		SCALE 尺度	NTS	SHEET 4 OF 4																					
			REV A																						

# Mouser Electronics

Authorized Distributor

Click to View Pricing, Inventory, Delivery & Lifecycle Information:

[TE Connectivity:](#)

[2040928-1](#)