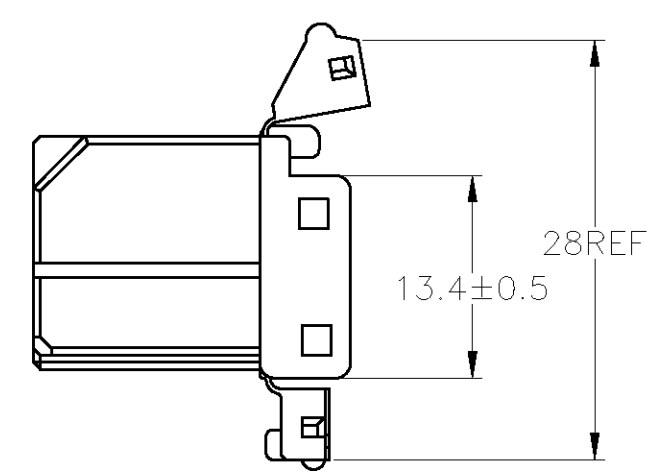
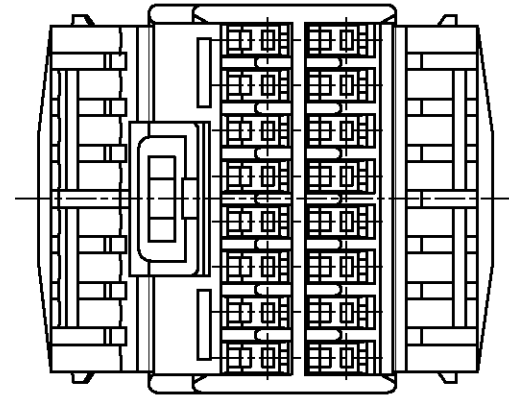
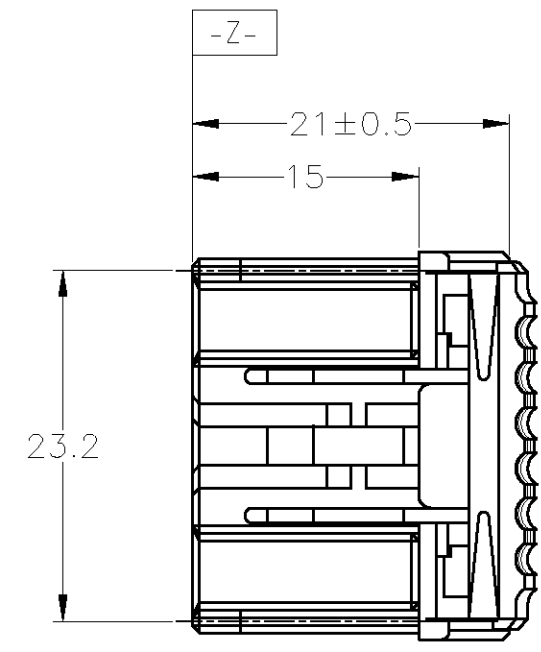
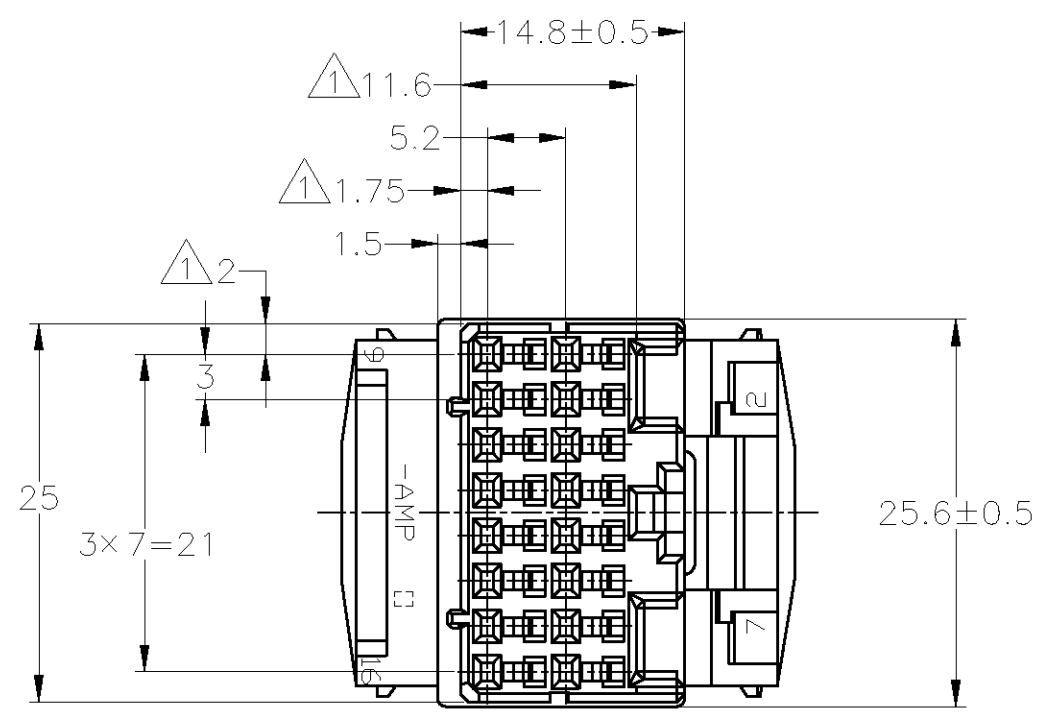


THIS DRAWING IS UNPUBLISHED. RELEASED FOR PUBLICATION
 © COPYRIGHT BY TYCO ELECTRONICS CORPORATION. ALL INTERNATIONAL RIGHTS RESERVED.

LOC	DIST	REVISIONS					
P	LTR	DESCRIPTION	DATE	DWN	APVD		
J	-	B1	REDRAWN W/CHANGE	ECR-10-017285	06SEP10	TS	KB



- ① MUST BE KEPT BETWEEN [-Z-] AND 2mm
 - 2. THE MATING CAP HOUSING PART NUMBER; 176242
 - 3. APPLIED CONTACT PART NUMBER; 173716, 175094
 - 4. APPLICABLE PRODUCT SPEC NO. 108-5280
-
- ① [-Z-] 面より 2mm の範囲で測定。
 - 2. 嵌合相手ハウジング型番; 176242
 - 3. 内装するリセプタクルコンタクト型番; 173716, 175094
 - 4. 適用製品規格番号; 108-5280

黄	YELLOW	176243-7
灰	GRAY	176243-6
青	BLUE	176243-5
白	WHITE	176243-1
色	COLOR	PART NUMBER

TOLERANCE UNLESS OTHERWISE SPECIFIED:
 一般公差

0 < x ≤ 10	: ±0.2
10 < x ≤ 30	: ±0.25
30 < x ≤ 100	: ±0.3
ANGLE ; 角度	: ±3°

THIS DRAWING IS A CONTROLLED DOCUMENT.		DWN T.SHINOHARA 06SEP10	Tyco Electronics Corporation Kawasaki, Japan													
DIMENSIONS: mm		CHK K.BETSUI 06SEP10														
TOLERANCES UNLESS OTHERWISE SPECIFIED:		APVD K.BETSUI 06SEP10	NAME													
<table border="1"> <tr><td>0 PLC</td><td>± -</td></tr> <tr><td>1 PLC</td><td>± -</td></tr> <tr><td>2 PLC</td><td>± -</td></tr> <tr><td>3 PLC</td><td>± -</td></tr> <tr><td>4 PLC</td><td>± -</td></tr> <tr><td>ANGLES</td><td>± -</td></tr> </table>		0 PLC	± -	1 PLC	± -	2 PLC	± -	3 PLC	± -	4 PLC	± -	ANGLES	± -	PRODUCT SPEC	HYBRID I/O CONNECTOR 16 POSITION PLUG HOUSING	
0 PLC	± -															
1 PLC	± -															
2 PLC	± -															
3 PLC	± -															
4 PLC	± -															
ANGLES	± -															
MATERIAL PBT		FINISH -	APPLICATION SPEC	RESTRICTED TO												
		WEIGHT -	SEE NOTE 4	SIZE CAGE CODE DRAWING NO												
		CUSTOMER DRAWING	-	A3 00779 C-176243												
			SCALE 2:1	SHEET 1 OF 1 REV B1												

Mouser Electronics

Authorized Distributor

Click to View Pricing, Inventory, Delivery & Lifecycle Information:

[TE Connectivity:](#)

[176243-5](#)