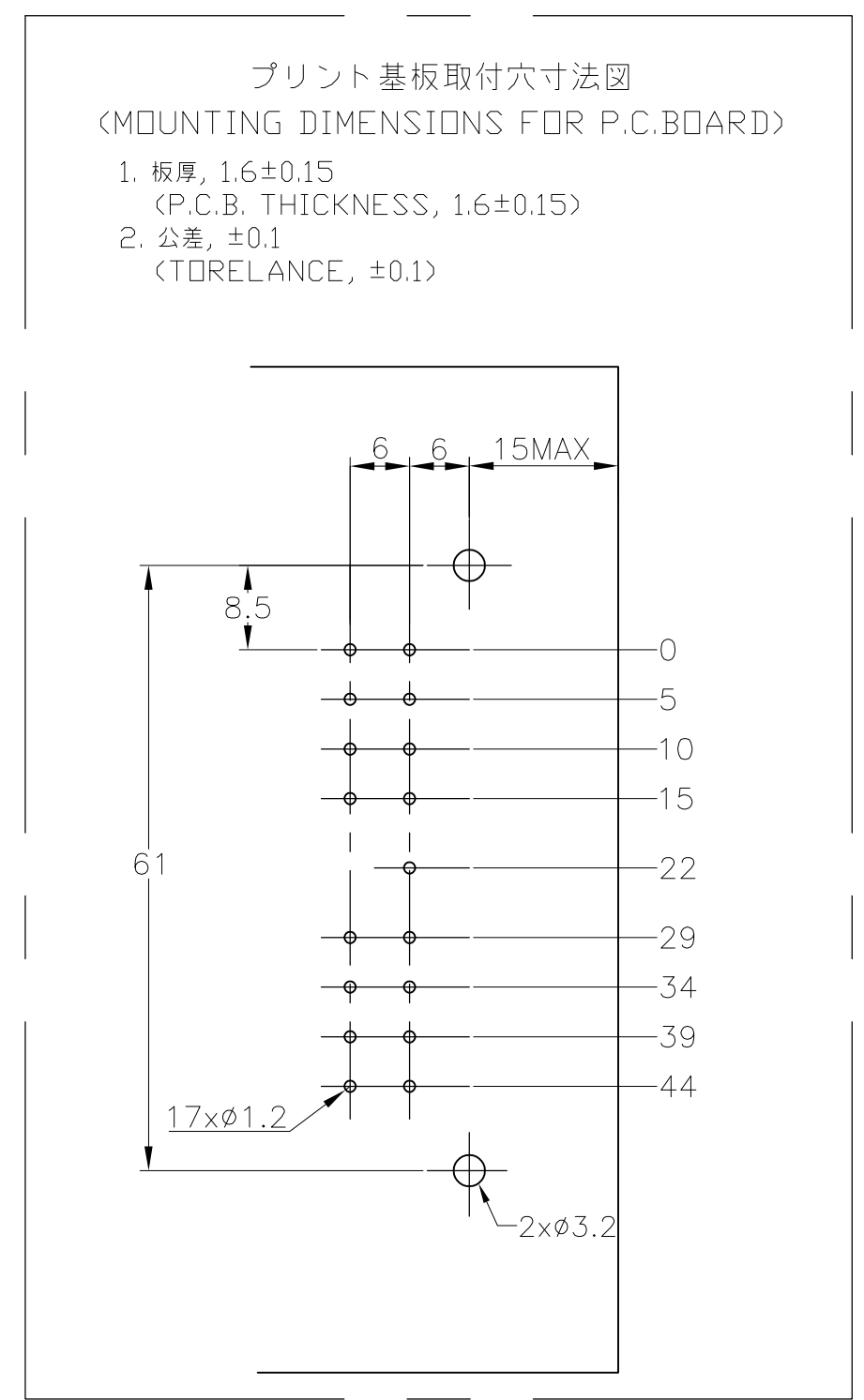
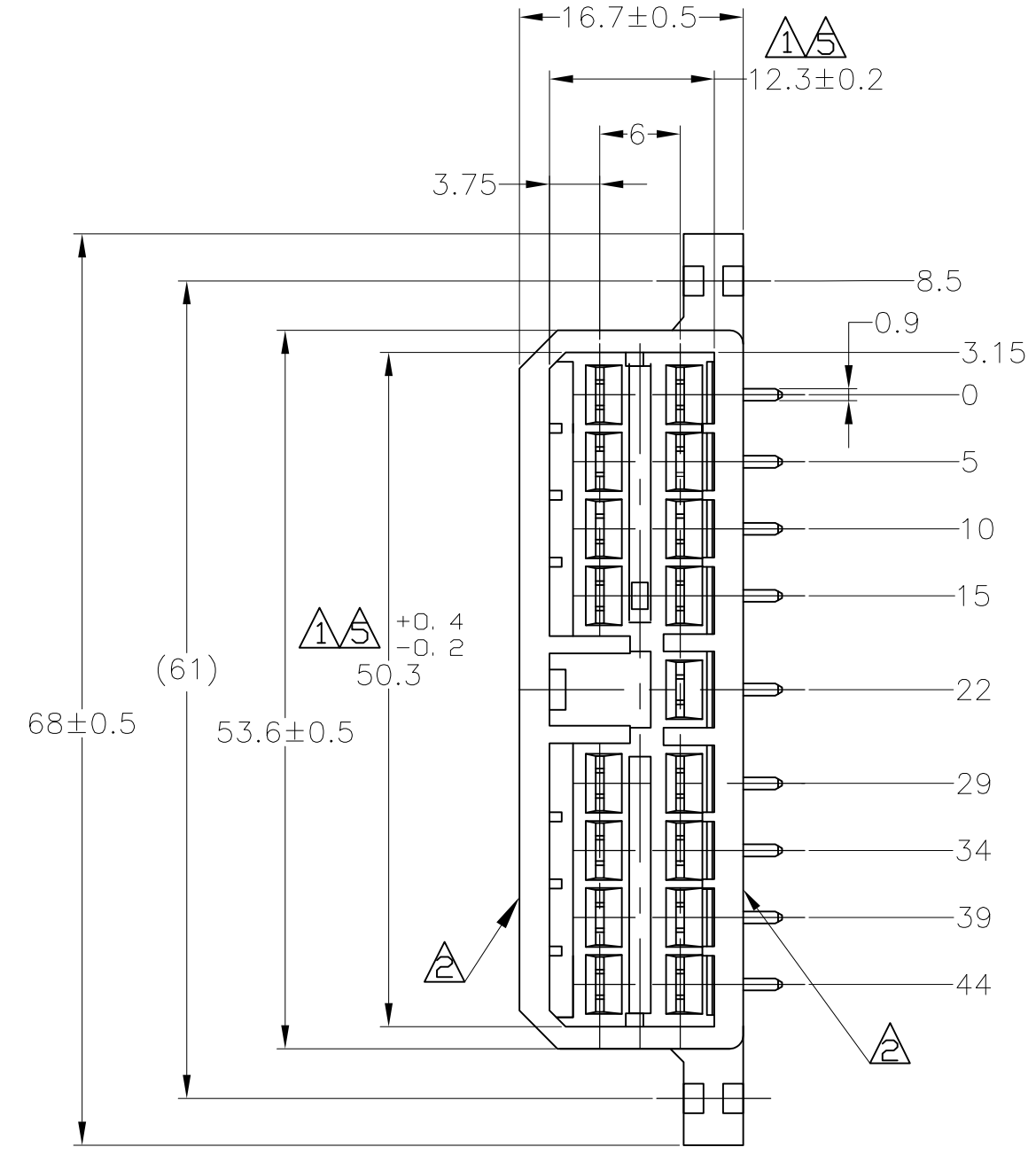
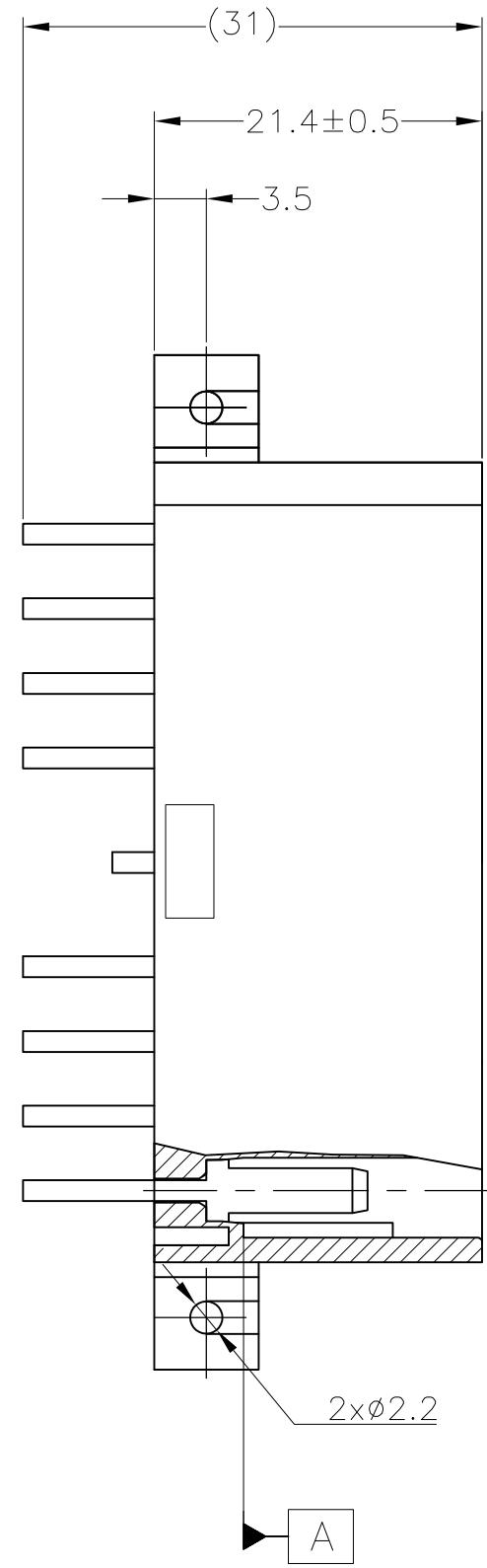


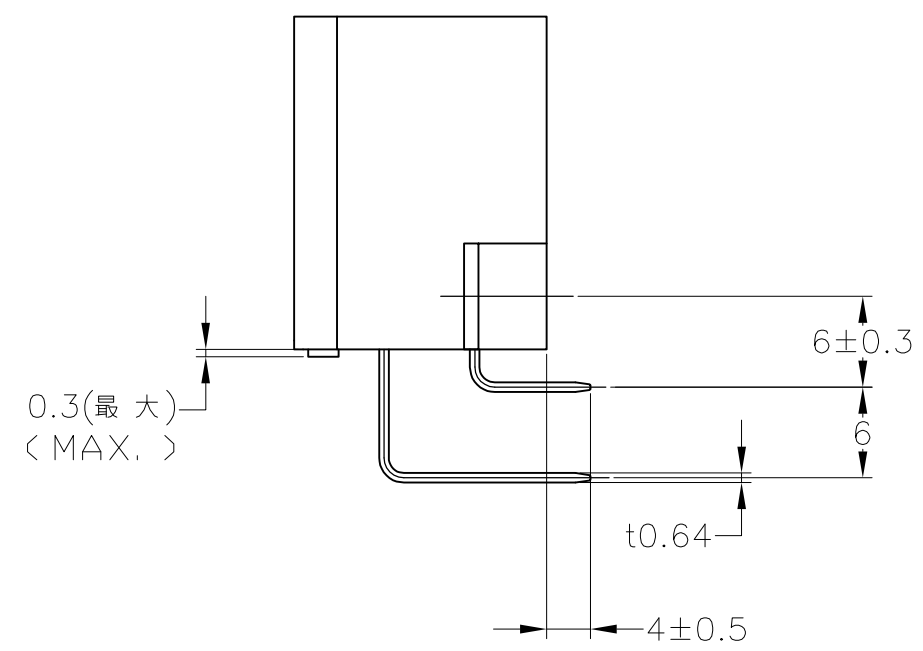
THIS DRAWING IS UNPUBLISHED. RELEASED FOR PUBLICATION MAY, 2017.  
 © COPYRIGHT 2017 By Tyco Electronics Japan G.K. ALL RIGHTS RESERVED.

REVISIONS					
P	LTR	DESCRIPTION	DATE	DWN	APVD
F6	REVISED	変更 ECR-16-002841	18MAY2017	KF	TK



- 注記:
- ① 相手ハウジングと所定の機能を満たしてかん合できること。
  - ② フードの反りは0.2以内。
  - ③ プリント基板への取付けは JIS B1115 M3 1種のタッピンネジで締め付けた後はんだ付けする。
  - ④ 適用製品規格: 108-5093
  - ⑤ [A] 面より2mmの範囲で測定のこと。
  - ⑥ 相手ハウジングとのかん合力は、29.4N以下  
但し、リセプタクルコンタクトは含まない。

- NOTE:
- ① IN COUPLING WITH THE PLUG HOUSING MATING SATISFIES FUNCTION
  - ② WARPAGE 0.2 MAX.
  - ③ SOLDERING AFTER MOUNTING P. C. BOARD BY 3mmDIA TAPPING SCREW, SPECIFIED IN JIS B1115
  - ④ PRODUCT SPEC NO. 108-5093
  - ⑤ TO BE MEASURED WITHIN 2mm FROM [A]
  - ⑥ IN COUPLING WITH THE PLUG HOUSING MATING FORCE 29.4N MAX. WITHOUT RECEPTACLE CONTACT



SELECTIVE-TIN (MATTE)	SELECTIVE GOLD (0.38μm MIN.)	NATURAL	2-5171366-1
SELECTIVE-TIN (MATTE)	SELECTIVE GOLD (0.76μm MIN.)	NATURAL	1-5171366-1
TIN-LEAD	SELECTIVE GOLD (0.38μm MIN.)	GREEN	2-171366-4
TIN-LEAD	SELECTIVE GOLD (0.38μm MIN.)	NATURAL	2-171366-1
PRE-TIN	PRE-TIN BRASS	GRAY	171366-6
	PRE-TIN	GREEN	171366-4
	PRE-TIN	BROWN	171366-3
	PRE-TIN	BLACK	171366-2
	PRE-TIN	NATURAL	171366-1
SOLDERING SIDE 半田付け部	CONTACT SIDE 接触部側	COLOR 色	PART NUMBER 製品型番
CONTACT FINISH コンタクト仕上			

TOLERANCE UNLESS OTHERWISE SPECIFIED: 一般公差

0 <= X <= 10 : ±0.2  
 10 <= X <= 30 : ±0.25  
 30 <= X <= 100 : ±0.3  
 ANGLE : ±3°

THIS DRAWING IS A CONTROLLED DOCUMENT.

DWN: T.SHINOHARA 31AUG07  
 CHK: K.BETSUI 31AUG07  
 APVD: K.BETSUI 31AUG07

TE Connectivity

17POSITION H TYPE CAP HOUSING  
 MULTI-INTERLOCK CONNECTOR  
 WIRE TO PCB

SIZE: A2 CAGE CODE: 00779 DRAWING NO: 171366  
 WEIGHT: - SCALE: 2:1 SHEET: 1 OF 1 REV: F6

MATERIAL: HSG: 66 NYLON CONTACT: BRASS  
 FINISH: 仕上

PRODUCT SPEC: 製品規格  
 APPLICATION SPEC: 取付適用規格

SEE NOTE 4

# Mouser Electronics

Authorized Distributor

Click to View Pricing, Inventory, Delivery & Lifecycle Information:

[TE Connectivity:](#)

[2-171366-1](#)