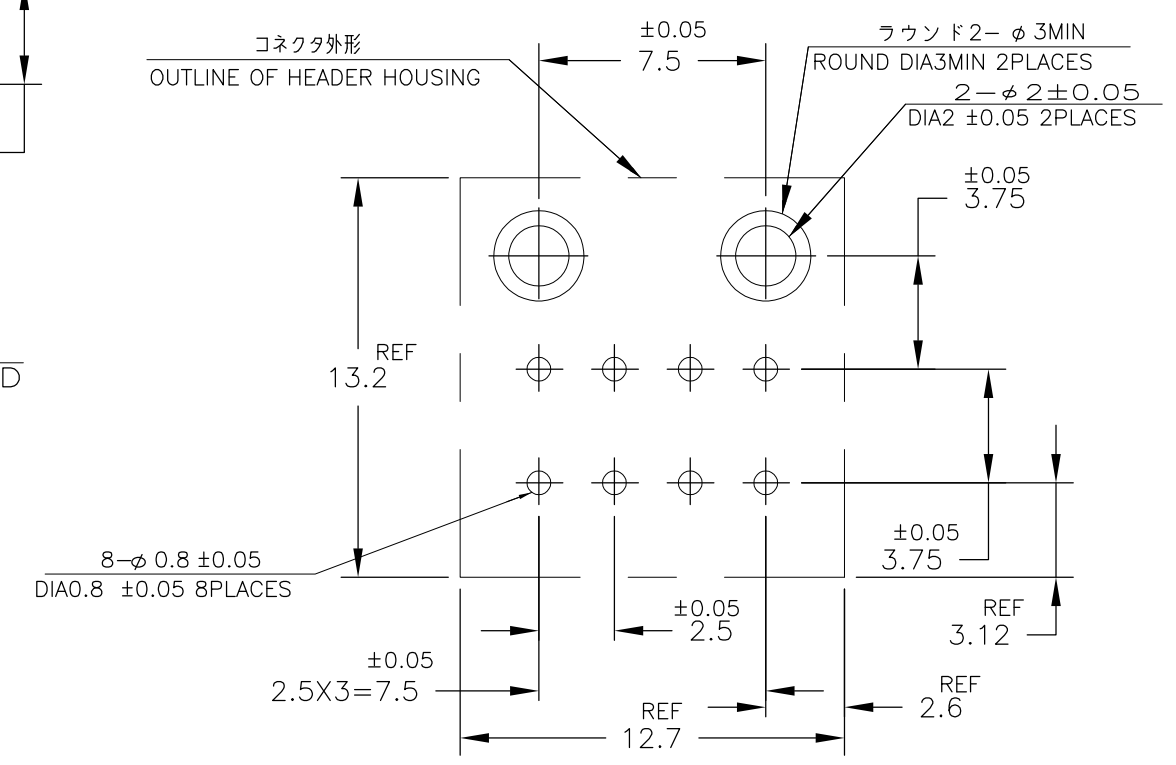
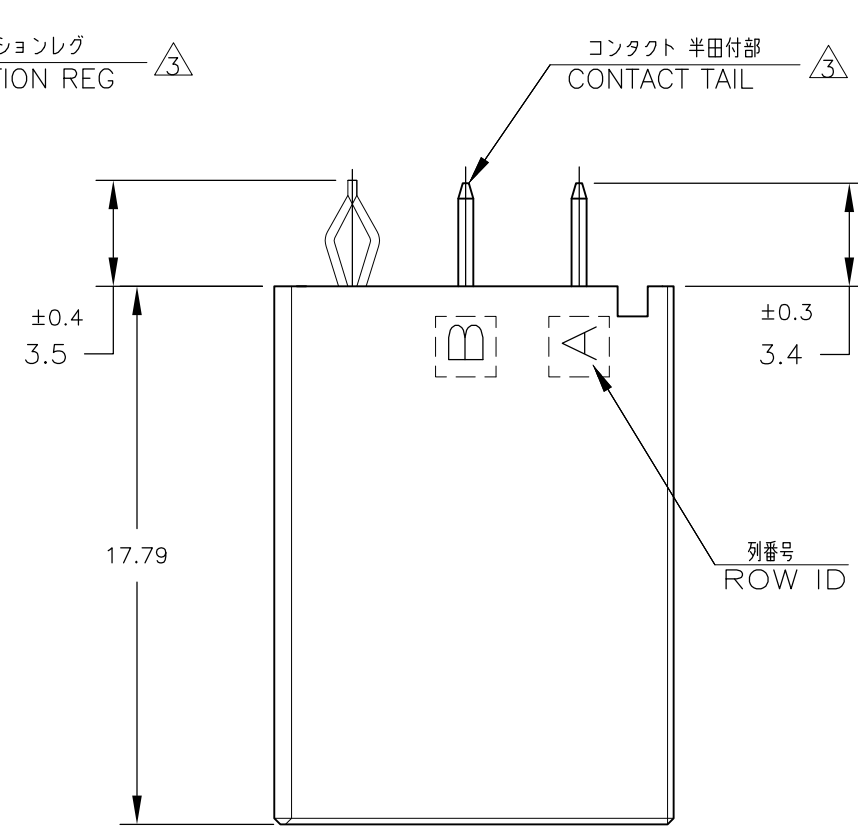
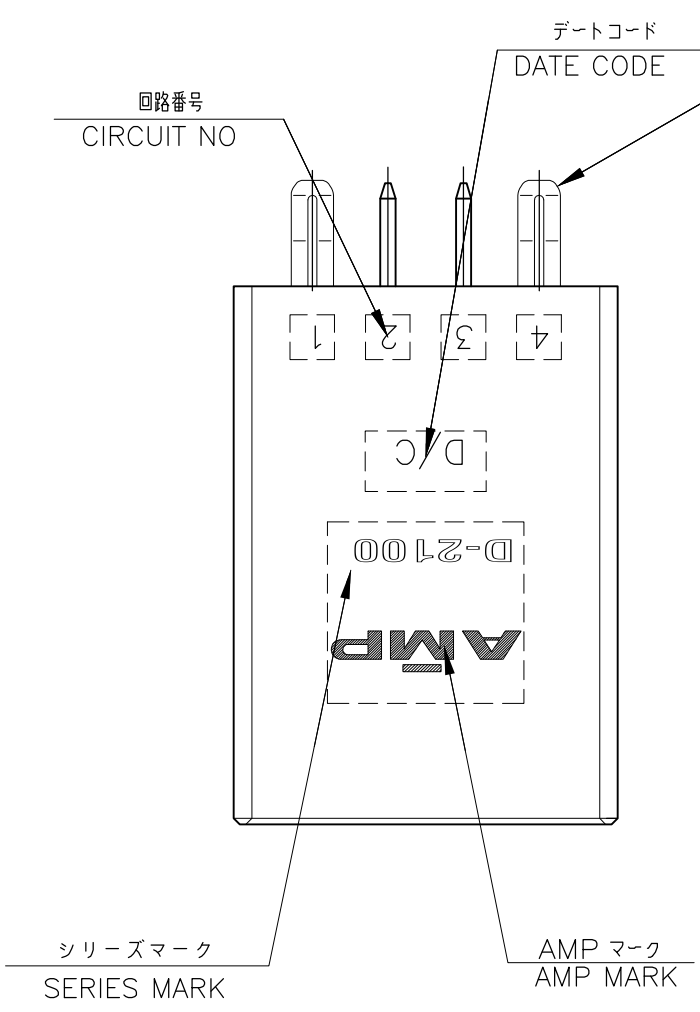
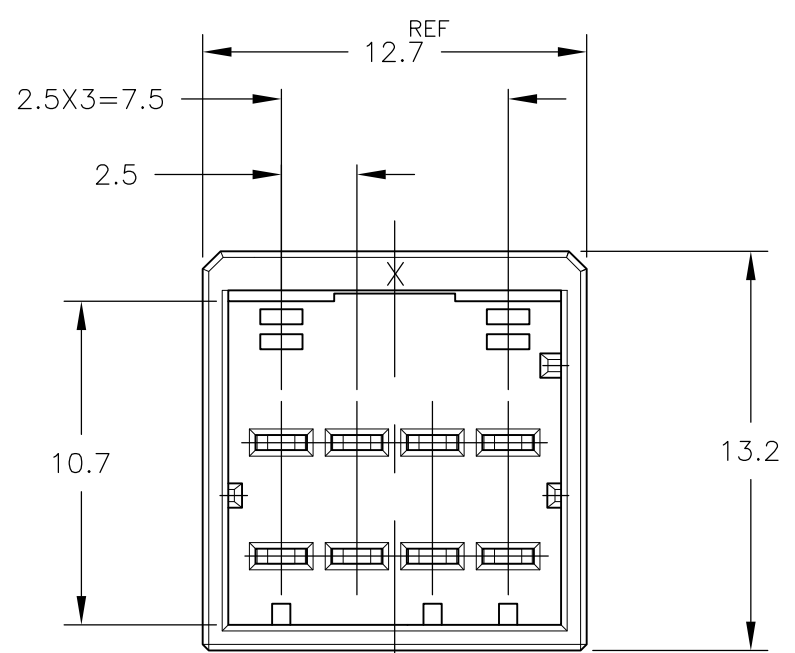


THIS DRAWING IS UNPUBLISHED. RELEASED FOR PUBLICATION  
 © COPYRIGHT 2012 By Tyco Electronics Japan G.K. ALL RIGHTS RESERVED.

LOC	DIST	REVISIONS					
J	—	P	LTR	DESCRIPTION	DATE	DWN	APVD
		D		REVISED	11MAY2012	H.M	N.Y



推奨基板取付け穴寸法 (公差: ±0.05)  
 PC 基板厚: 1.6 ±0.3  
 (コネクタ搭載面)  
 RECOMMENDED PC BOARD HOLE PATTERN (TOLERANCE :±0.05)  
 PC BOARD THICKNESS: 1.6 ±0.3  
 (CONNECTOR MOUNT SIDE)



- NOTES
- MATERIAL: HOUSING: GLASS FILLED THERMO PLASTIC POLYESTER(94V-0)  
 TAB CONTACT: COPPER ALLOY  
 RETENTION LEG: BRASS
  - FINISH (CONTACT AREA): 0.38μm MIN GOLD PLATING OVER Ni PLATING
  - FINISH (RETENTION LEG): TIN PLATED (CONTACT TAIL) OVER NICKEL
- 注記
- 材料: ハウジング: ガラス入り熱可塑性ポリエステル樹脂 (94V-0)  
 タブ コンタクト: 銅合金  
 リテンション レグ: 黄銅
  - めっき: コンタクト: 全面Ni下地  
 接触部: 0.38μm MIN金めっき
  - めっき: リテンションレグとコンタクト半田付部: ニッケル下地の上にスズめっき

Y	NATURAL	9-1318125-2
Y	BLACK	1318125-2
X	BLACK	1318125-1
KEY	COLOR	PART No.

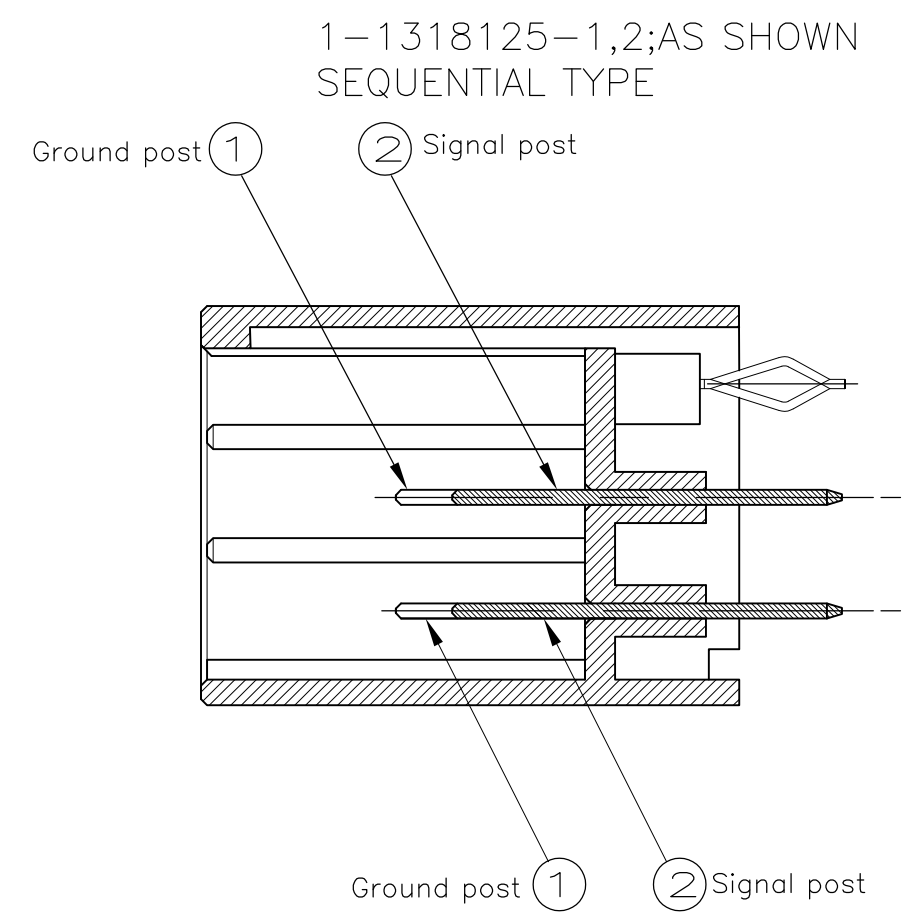
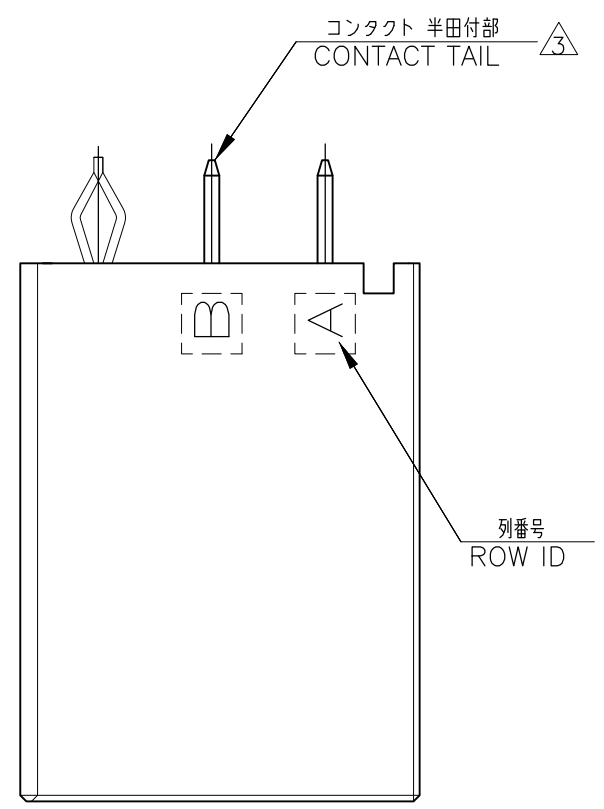
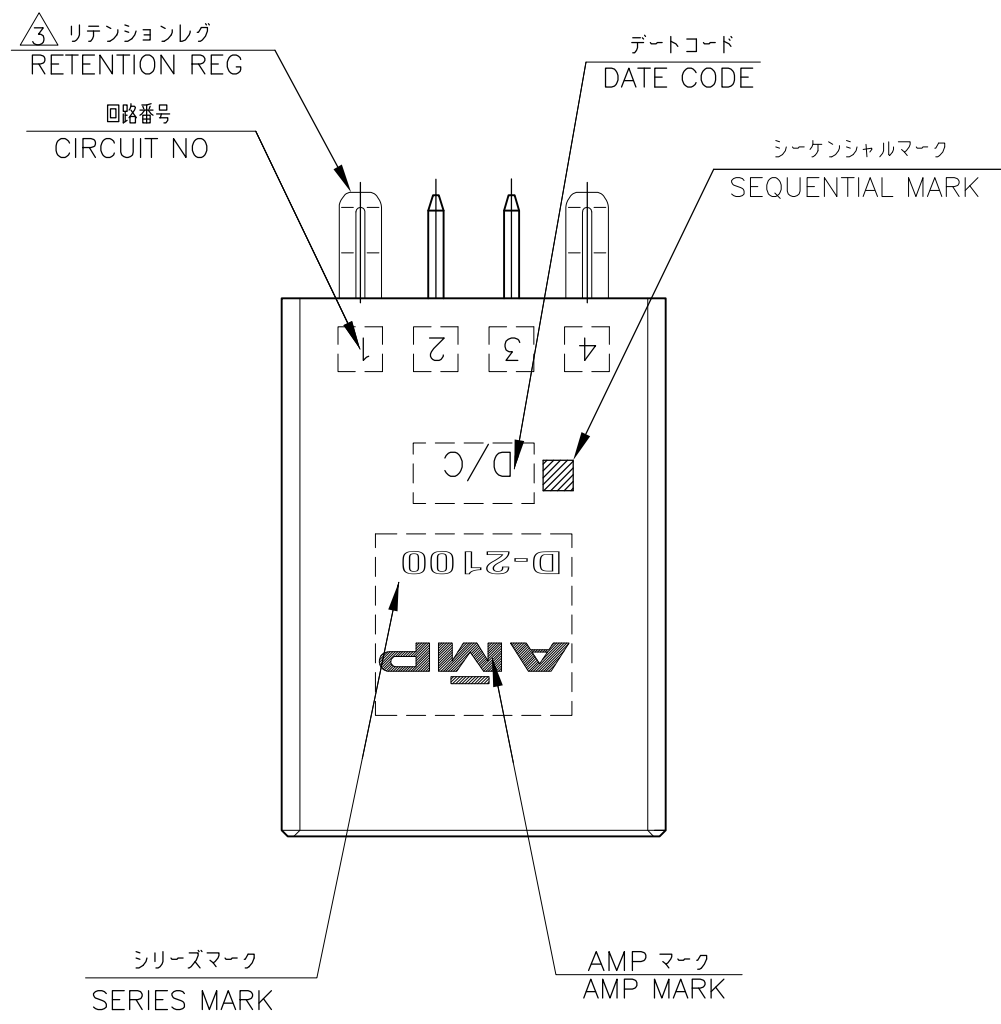
1318125-1  
(KEYING X)

1318125-2  
(KEYING Y)  
SCALE: 2-1

THIS DRAWING IS A CONTROLLED DOCUMENT.		DWN	I.IKEDA	07DEC1998	<b>STE</b> TE Connectivity
DIMENSIONS: mm		CHK	N.MATSUBARA	07DEC1998	
TOLERANCES UNLESS OTHERWISE SPECIFIED:		APVD	I.HASEGAWA	07DEC1998	NAME
0 PLC ± 0.3		PRODUCT SPEC		DOUBLE ROW HEADER ASSY 8P V-TYPE	
1 PLC ± 0.35		APPLICATION SPEC		DYNAMIC D-2100D	
2 PLC ± 0.4		WEIGHT		SIZE	CAGE CODE
3 PLC ± 0.4		CUSTOMER DRAWING		114-5258	00779
4 PLC ANGLES ± 3°		SCALE		DRAWING NO	
FINISH SEE NOTE		RESTRICTED TO		C-1318125	
MATERIAL SEE NOTE		SCALE		SHEET	
		4:1		1 OF 2	
		REV		D	

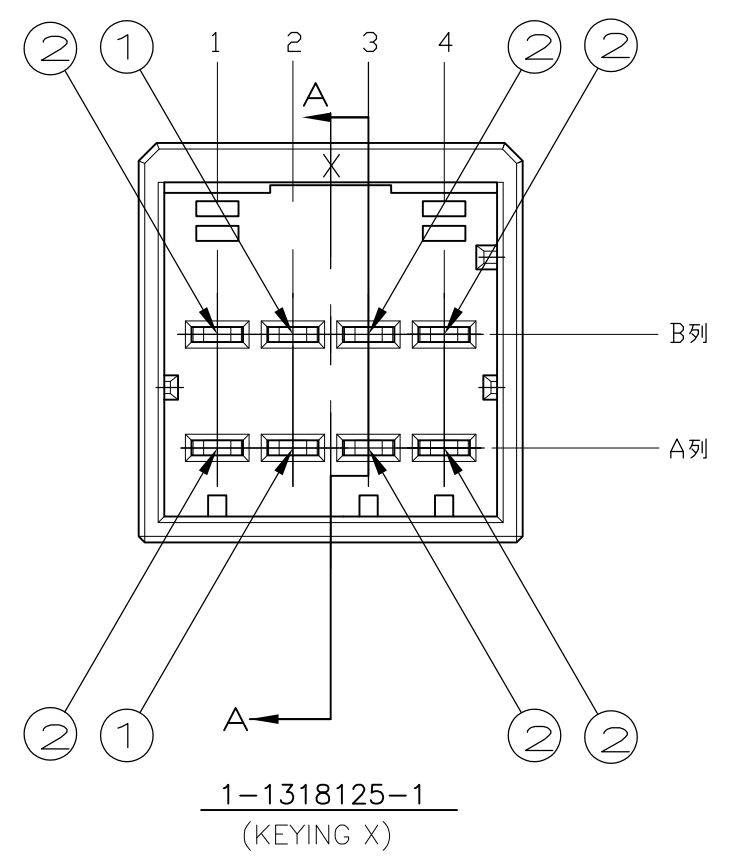
THIS DRAWING IS UNPUBLISHED. RELEASED FOR PUBLICATION  
 © COPYRIGHT 2012 By Tyco Electronics Japan G.K. ALL RIGHTS RESERVED.

LOC	DIST	REVISIONS					
J	—	P	LTR	DESCRIPTION	DATE	DWN	APVD
				SEE SHEET 1	—	—	—



		回路番号			
		1	2	3	4
列番号	B	② Signal	① Ground	② Signal	② Signal
	A	② Signal	① Ground	② Signal	② Signal

POINT OF SEQUENTIAL  
 1-1318125-1,2



NOTES

- 1. MATERIAL:HOUSING:GLASS FILED THERMO PLASTIC POLYESTER(94V-0)  
 TAB CONTACT:COPPER ALLOY  
 RETENTION LEG:BRASS
- △ FINISH(CONTACT AREA):0.38μmMIN GOLD PLATING OVER Ni PLATING
- △ FINISH(RETENTION LEG): TIN PLATED (CONTACT TAIL) OVER NICKEL

注記

- 1. 材料:ハウジング:ガラス入り熱可塑性ポリエステル樹脂 (94V-0)  
 タブ コンタクト:銅合金  
 リテンションレグ:黄銅
- △ めっき:コンタクト:全面Ni下地  
 接触部:0.38μmMIN金めっき
- △ めっき:リテンションレグとコンタクト半田付部:ニッケル下地の上にスズめっき

Y	BLACK	1-1318125-2
X	BLACK	1-1318125-1
KEY	COLOR	PART No.

THIS DRAWING IS A CONTROLLED DOCUMENT.		DWN	I.IKEDA	07DEC1998	TE Connectivity	NAME					
DIMENSIONS: mm		CHK	N.MATSUBARA	07DEC1998		DOUBLE ROW HEADER ASSY 8P V-TYPE					
TOLERANCES UNLESS OTHERWISE SPECIFIED:		APVD	I.HASEGAWA	07DEC1998		DYNAMIC D-2100D					
0 PLC ± 0.3 1 PLC ± 0.35 2 PLC ± 0.4 3 PLC ± 0.4 4 PLC ± 0.4 ANGLES ± 3°		PRODUCT SPEC		108-5619		APPLICATION SPEC					
MATERIAL SEE NOTE		FINISH SEE NOTE		WEIGHT		114-5258		SIZE	CAGE CODE	DRAWING NO	RESTRICTED TO
CUSTOMER DRAWING				A3		00779	C-1318125		SCALE 4:1 SHEET 2 OF 2 REV D		

# Mouser Electronics

Authorized Distributor

Click to View Pricing, Inventory, Delivery & Lifecycle Information:

[TE Connectivity:](#)

[1318125-2](#)