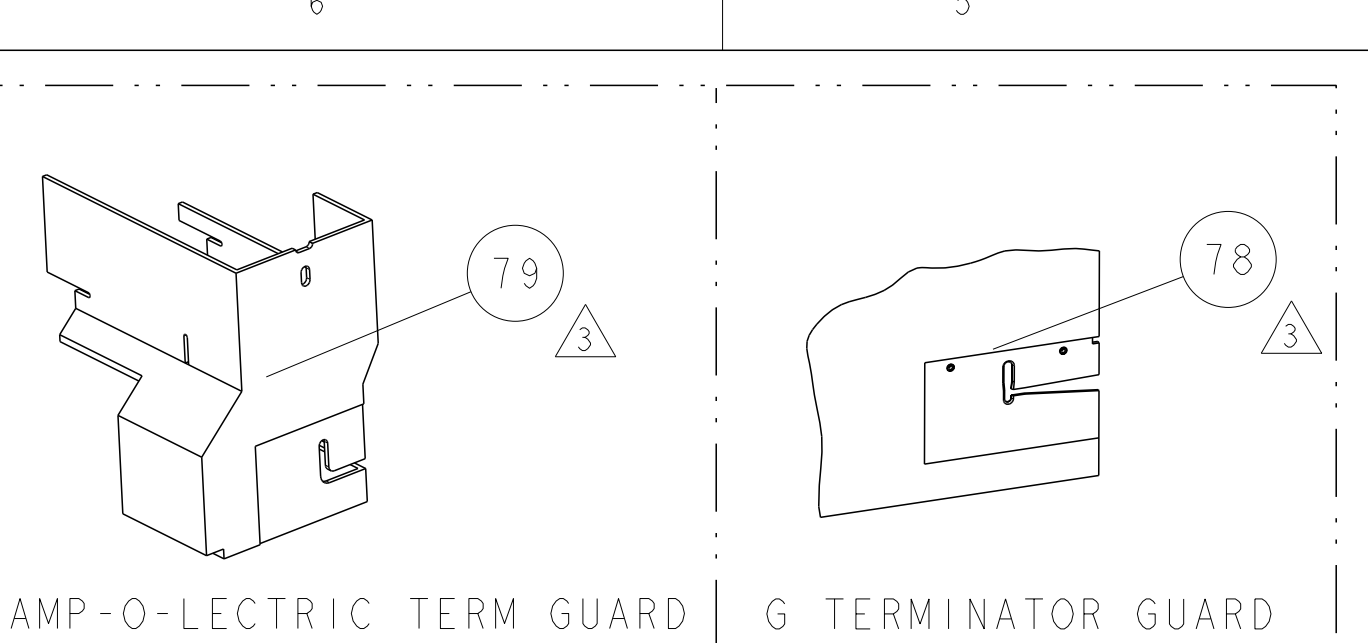


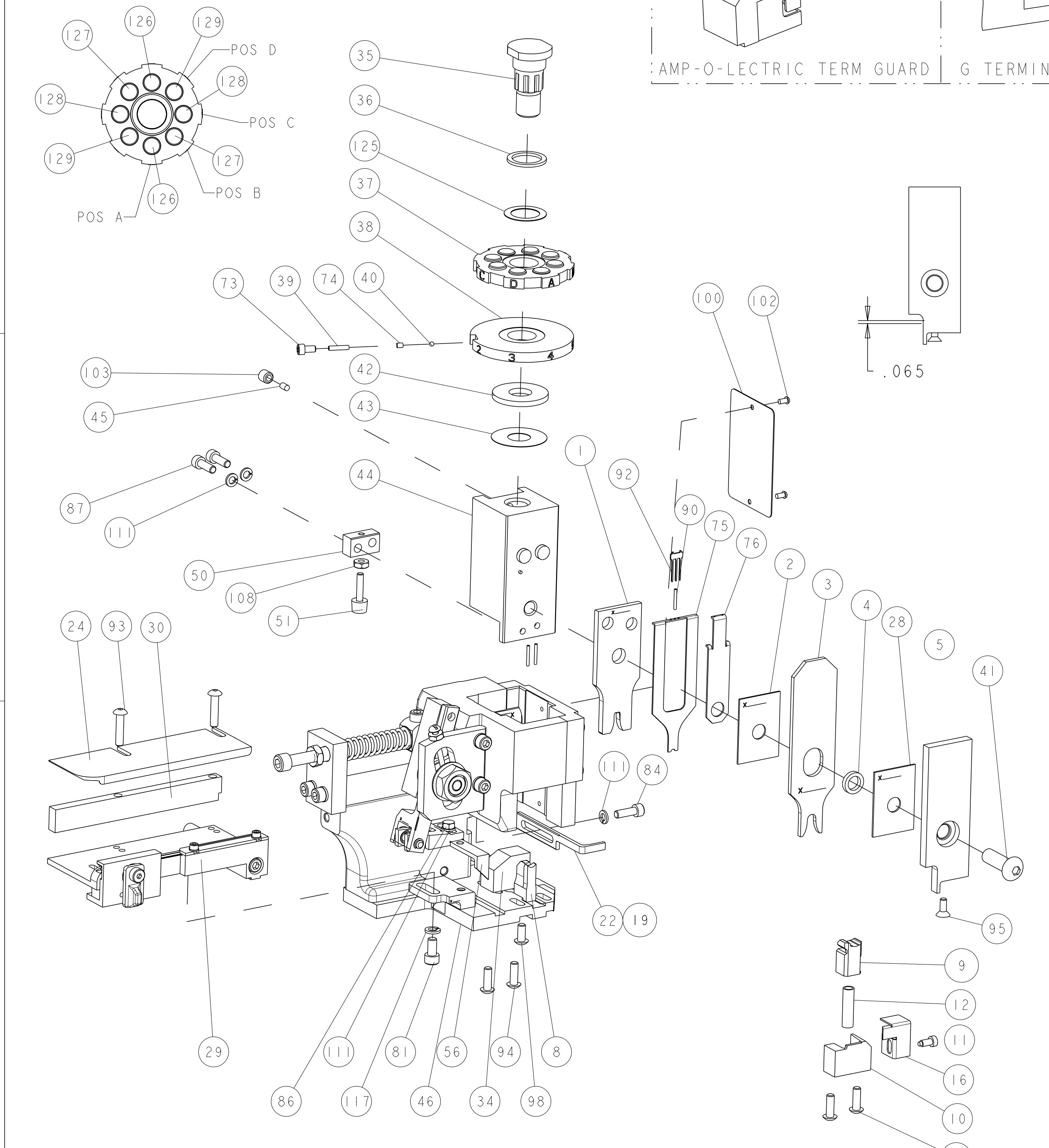
PART NUMBER		REV	FIRST USED	POWER UNIT	FEED TYPE
1852057-1		B	122500-1	LEADMAKER	POST FEED
1852057-2		B	565435-5	BENCH MODEL K	PRE FEED
1852057-3		B	354500-1	BENCH MODEL G	PRE FEED



TERMINAL NAME: TAXI TERM M/P 280

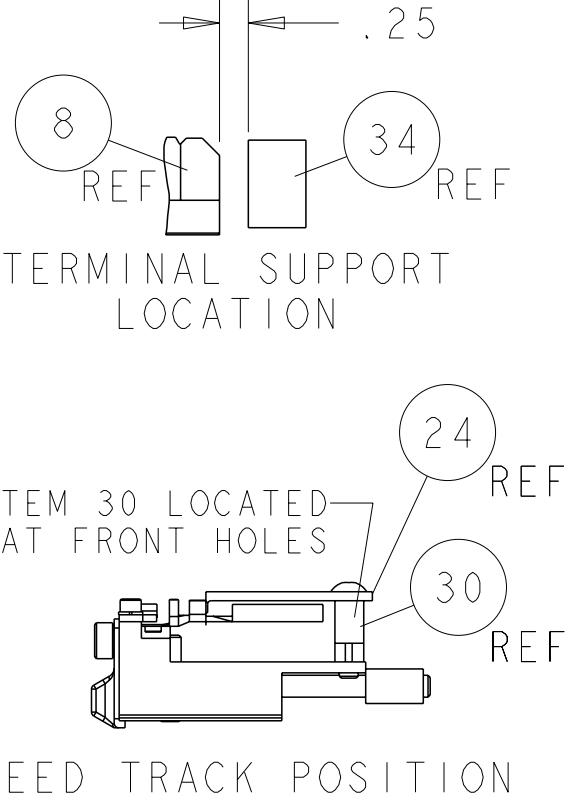
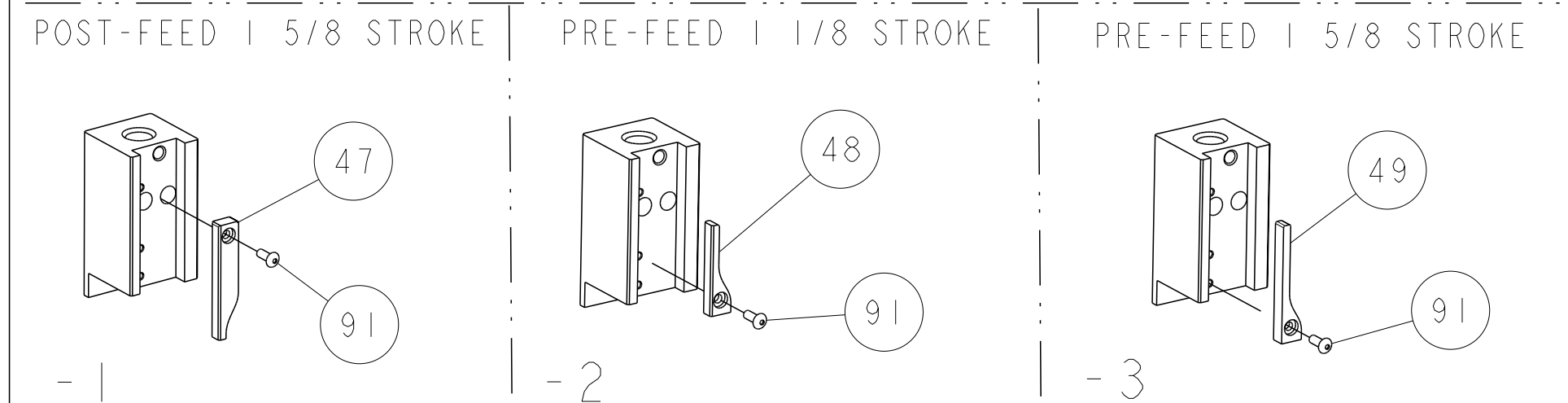
TE PN	MANF PN	PACKARD TERMINAL - AMP CRIMP SPECS	
1572714	12048254		
		PAD LTR	CRIMP HEIGHT
-	-	A	.101±.002[2.57±0.05mm]
		B	.083±.002[2.11±0.05mm]
SEAL PN	-	C	.072±.002[1.83±0.05mm]
BLUE	-	D	.087±.002[2.21±0.05mm]
1572715	12015193		4.0mm ²
		CRIMP	SIZE
GRAY	-		TYPE
1572716	12010293	WIRE	.140 [3.56mm]
		INSUL	.220 [5.59mm]
			Ø.110-.169
WIRE STRIP LENGTH	TERM APPL SPEC	FEED	APPL INSTRUCTIONS
.205-.235	NONE	.625	408-8040
			SET UP GAGE
			458637-1

LOC	DIST	REVISIONS			
A	66	REV	DESCRIPTION	DATE	BY
		A	RELEASED	15JUN2005	LG
		B	ECR-11-014763	15JUL2011	MY



- ▲ RECOMMENDED SPARE PARTS
- ▲ GREASE LIGHTLY
- ▲ GUARD MUST BE IN PLACE WHEN OPERATING APPLICATOR IN A BENCH MACHINE
- ▲ SEAL NO 12015193 FOR INSULATION RANGE 4.3-3.45
- ▲ SEAL NO 12010293 FOR INSULATION RANGE 3.49-2.81

2	2	2	-	6-354778-1	PIN, WIRE DISC, .2800	129
2	2	2	-	8-354778-6	PIN, WIRE DISC, .2925	128
2	2	2	-	6-354778-7	PIN, WIRE DISC, .2830	127
2	2	2	-	3-354778-1	PIN, WIRE DISC, .2650	126
1	1	1	-	986950-1	WASHER, FLAT PRECISION	125
1	1	1	-	217238-1	GENERAL INSTRUCTION PKG	124
1	1	1	-	4088040	SF APPL INST 408-8040	123
-	-	-	-	-	-	122
-	-	-	-	-	-	121
-	-	-	-	-	-	120
-	-	-	-	-	-	119
-	-	-	-	-	-	118
1	1	1	-	21024-5	WASHER, SPRG LOCK, REG NO 10	117
-	-	-	-	-	-	116
-	-	-	-	-	-	115
-	-	-	-	-	-	114
-	-	-	-	-	-	113
-	-	-	-	-	-	112
4	4	4	-	21024-4	WASHER, SPRG LOCK, REG NO 8	111
-	-	-	-	-	-	110
-	-	-	-	-	-	109
1	1	1	-	21018-5	NUT, HEX, REG 6-32	108
-	-	-	-	-	-	107
-	-	-	-	-	-	106
-	-	-	-	-	-	105
-	-	-	-	-	-	104
1	1	1	-	21009-2	SCR, SET, SELF LOCKING 1/4-20 X .250	103
2	2	2	-	21017-2	SCREW, DRIVE	102
-	-	-	-	-	-	101
1	1	1	-	461264-1	PLATE, IDENTIFICATION	100
-	-	-	-	-	-	99
1	1	1	-	22733-8	SCR, BHSC, SELF-LOCKING, 8-32 X .375	98
-	-	-	-	-	-	97
-	-	-	-	-	-	96
1	1	1	-	1-21003-9	SCR, FLT SKT HD CAP 6-32 X .375	95
4	4	4	-	2-21002-2	SCR, BTN SKT HD CAP 8-32 X .500	94
2	2	2	-	2-21002-4	SCR, BTN SKT HD CAP 8-32 X .750	93
1	1	1	-	1424350-1	HOLDER, PIN, WIRED	92
1	1	1	-	1-21002-7	SCR, BTN SKT HD CAP 6-32 X .375	91
3	3	3	-	2-23147-2	SPRING, COMPRESSION	90
-	-	-	-	-	-	89
-	-	-	-	-	-	88
-	-	-	-	-	-	87
2	2	2	-	2-21000-7	SCR, SKT HD CAP 8-32 X .500	86
1	1	1	-	2-22603-0	SCR, HEX HD CAP 8-32 X .312	85
1	1	1	-	2-21000-7	SCR, SKT HD CAP 8-32 X .500	84
-	-	-	-	-	-	83
-	-	-	-	-	-	82
1	1	1	-	3-21000-4	SCR, SKT HD CAP 10-32 X .375	81
-	-	-	-	-	-	80
-	REF	-	-	455749-1	GUARD WINDOW	79
-	REF	-	-	679532-1	INSERT, GUARD	78
-	-	-	-	-	-	77
1	1	1	-	1490524-2	DEPRESSOR, SPACER	76
1	1	1	-	1490525-2	DEPRESSOR, WIRE	75
1	1	1	-	690603-1	SPRING ASSIST AMP-O-MATOR APPLICATOR	74
-3	-2	-1	U/M	PART NO	DESCRIPTION	ITEM NO



ITEM NO	DESCRIPTION	ITEM NO
73	SCR, SKT HD CAP 6-32 x .25	73
72		72
71		71
70		70
69		69
68		68
67		67
66		66
65		65
64		64
63		63
62		62
61		61
60		60
59		59
58		58
57		57
56	PAWL, FEED	56
55		55
54		54
53		53
52		52
51	BUMPER, HOLD DOWN	51
50	SPACER, TONKER	50
49	CAM, PRE FEED, 1 5/8	49
48	CAM, PRE FEED, 1 1/8	48
47	CAM, POST-FEED 1 5/8	47
46	APPL. BASIC SUB ASSY (SIDE WISE MOCA)	46
45	PLUG, NYLON	45
44	RAM	44
43	SHIM SUB-ASSY	43
42	WASHER, RAM (.115)	42
41	SCR, BTN SKT HD CAP 5/16-24 X 1.00	41
40	BALL, STEEL	40
39	SPRING, COMPRESSION	39
38	DISC, INSULATION	38
37	WIRE DISC, ASSEMBLY	37
36	SPRING, COMPRESSION	36
35	POST, RAM	35
34	TERMINAL SUPPORT	34
33		33
32		32
31		31
30	SPACER, STRIP GUIDE	30
29	ASSEMBLY, STRIP GUIDE	29
28	SPACER, CRIMPER	28
27		27
26		26
25		25
24	PLATE, STRIP GUIDE	24
23		23
22	STRIPPER	22
21		21
20		20
19	STRIPPER	19
18		18
17		17
16	GUARD, FRONT CHIP	16
15		15
14		14
13		13
12	SPRING, COMPRESSION	12
11	STOP, SHEAR	11
10	SHEAR HOLDER, FRONT	10
9	FLOATING SHEAR, FRONT	9
8	ANVIL, COMBINATION .140	8
7		7
6		6
5	DEPRESSOR, SHEAR	5
4	BLOCK, CRIMPER SPACER	4
3	CRIMPER, INSUL O PREMIUM	3
2	SPACER, CRIMPER	2
1	CRIMPER, WIRE PREMIUM	1

THIS DRAWING IS A CONTROLLED DOCUMENT.

DIMENSIONS: INCHES	TOLERANCES UNLESS OTHERWISE SPECIFIED: 3 PLC ±.01 2 PLC ±.005 1 PLC ±.002 ANGLES ±.0001	FINISH	DATE: 16MAY2005	NAME: G. BALLEY	PRODUCT SPEC: 16MAY2005
MATERIAL:		WEIGHT:	SCALE: 3:5		

APPROVED: R. KNEPPER
DATE: 16MAY2005
TE Connectivity
SIDE FEED HDM APPLICATOR
SIZE: A100779C-1852057
RESTRICTED TO: B

Mouser Electronics

Authorized Distributor

Click to View Pricing, Inventory, Delivery & Lifecycle Information:

[TE Connectivity:](#)

[1852057-2](#)