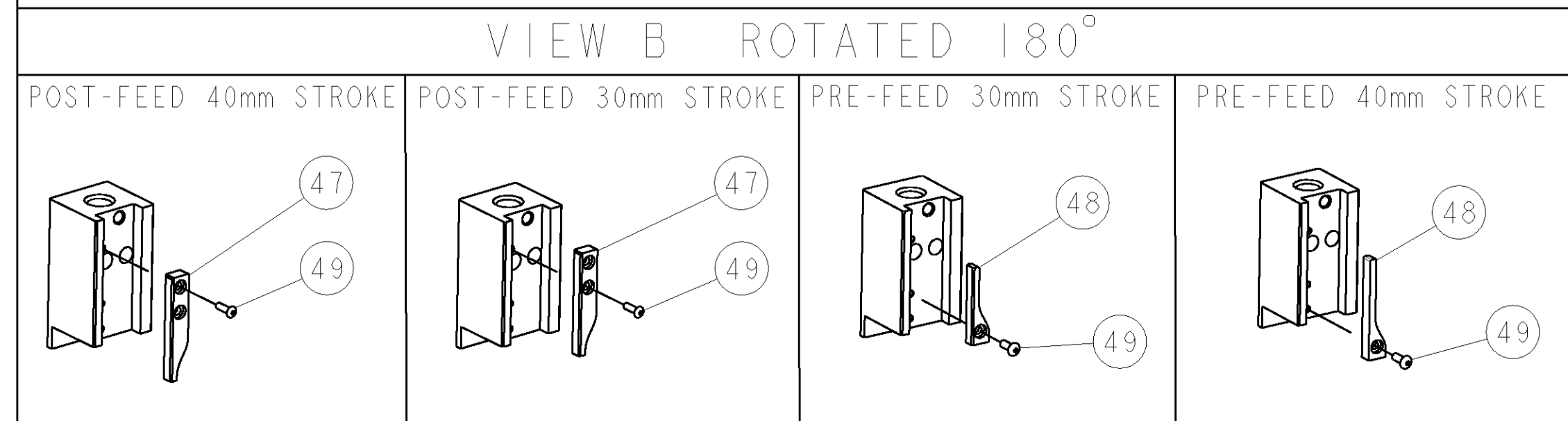
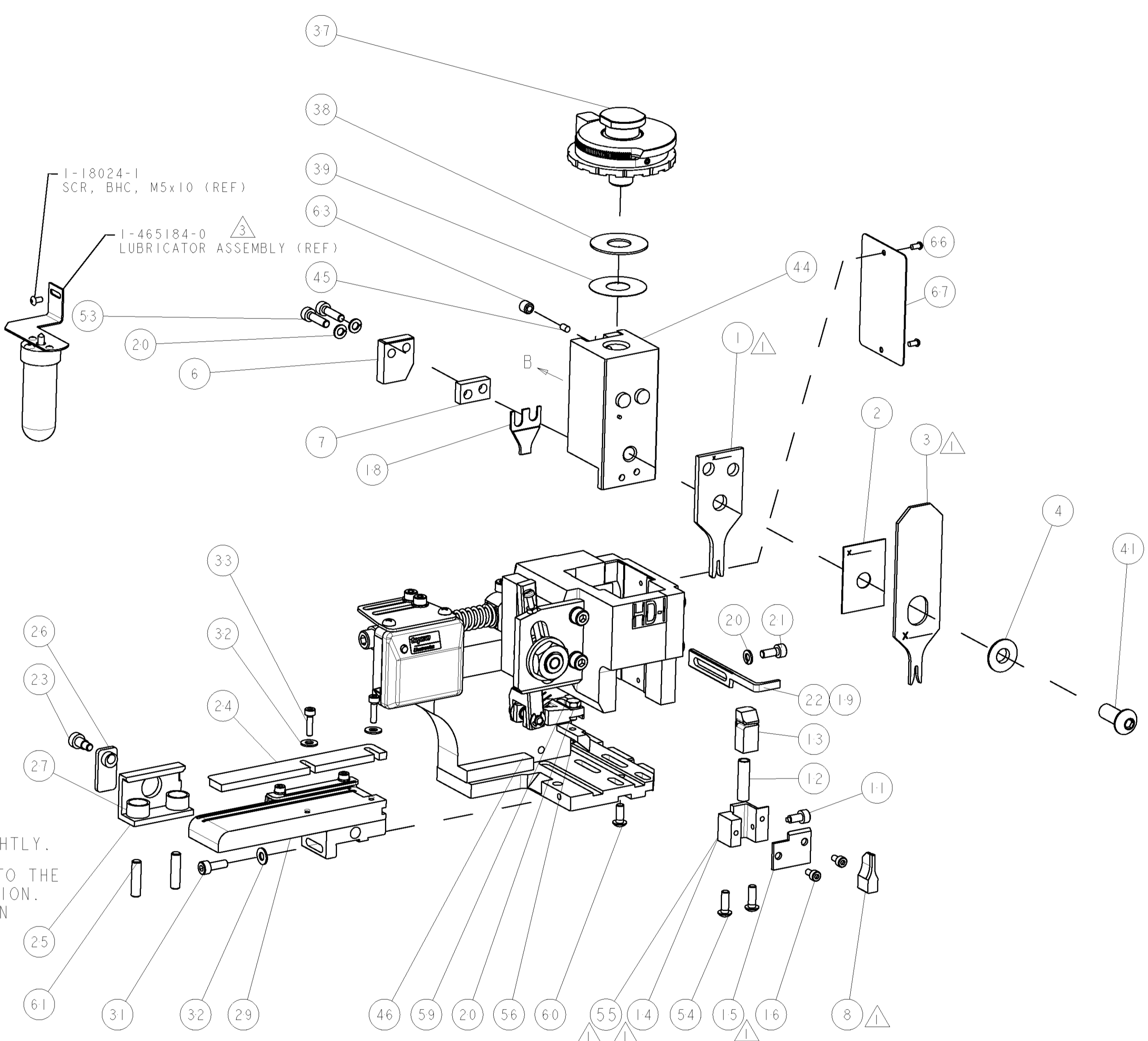


PART NUMBER	REV	TERMINATOR	FEED TYPE	DESCRIPTION
1528172-1	C	LEADMAKER	MECH POST FEED	CUTS CARRIER
1528172-2	C	BENCH	MECH PRE FEED	CUTS CARRIER
1528172-6	C	LEADMAKER	MECH POST FEED	CONTINUOUS CARRIER
7-1528172-1	C	LEADMAKER	MECH POST FEED	-1 AND SPARE PARTS
7-1528172-2	C	BENCH	MECH PRE FEED	-2 AND SPARE PARTS
7-1528172-6	C	LEADMAKER	MECH POST FEED	-6 AND SPARE PARTS
7-1528172-7	A	-	-	SPARE PARTS KIT

CRIMP DATA		TE TERMINAL	TE CRIMP SPECS
TERMINAL NAME: MODU RECEPTACLE WITH SPRING			
CRIMP	SIZE	TYPE	RANGE
WIRE	1.40 [1.055 IN]	F	0.35-0.50mm <sup>2</sup>
INSUL	1.78 [1.070 IN]	O	1.20-1.60 [1.047-1.063 IN]
WIRE STRIP LENGTH 4.00 [1.57 IN]		APPL INSTRUCTIONS 408-8322 & 408-8490	
TERMINAL APPL SPEC 114-18022/5		FEED 6.50 [1.256 IN]	
TERMINALS APPLIED			
963720	-	-	-
-	-	-	-
-	-	-	-
-	-	-	-
-	-	-	-
WIRE SIZE	CRIMP HEIGHT	REF SETTING	
0.50mm <sup>2</sup>	0.92 ± 0.03 [1.036 ± 0.001 IN]	B0	
0.35mm <sup>2</sup>	0.84 ± 0.03 [1.033 ± 0.001 IN]	B5	
0.25mm <sup>2</sup>	0.79 ± 0.03 [1.031 ± 0.001 IN]	B8	
0.20mm <sup>2</sup>	0.76 ± 0.03 [1.030 ± 0.001 IN]	C1	

- △ RECOMMENDED SPARE PARTS.
- 2. GREASE RAM, CAM, CAM FOLLOWER AND FEED ROD LIGHTLY.
- △ CERTAIN TERMINALS REQUIRE LUBRICATION. REFER TO THE APPLICATOR INSTRUCTION SHEET FOR MORE INFORMATION.
- 4. LUBRICATE DAILY PER THE APPLICATOR INSTRUCTION SHEET SUPPLIED WITH THE APPLICATOR.
- △ REAR CUT OFF TAB TO BE REFERENCED BY CUSTOMER DRAWING 963720, AVAILABLE ON REQUEST.



-77	-76	-72	-71	-6	-2	-1	PART NO	DESCRIPTION	ITEM NO
-	-	-	-	-	-	-	-	-	84
-	-	-	-	-	-	-	-	-	83
-	-	-	-	-	-	-	-	-	82
-	-	-	-	-	-	-	-	-	81
-	-	-	-	-	-	-	-	-	80
-	-	-	-	-	-	-	-	-	79
-	-	-	-	-	-	-	-	-	78
-	-	-	-	-	-	-	-	-	77
-	-	-	-	-	-	-	-	-	76
-	-	-	-	-	-	-	-	-	75
-	-	-	-	-	-	-	-	-	74

LOC	DIST	REV	DATE	BY	APPV
A	66	B	01OCT2008	MC	MC
		C	20OCT2009	MY	TE

REV	DATE	DESCRIPTION	ITEM NO
-	-	-	73
-	-	-	72
-	-	-	71
-	-	-	70
-	-	-	69
-	-	-	68
-	-	-	67
-	-	-	66
-	-	-	65
-	-	-	64
-	-	-	63
-	-	-	62
-	-	-	61
-	-	-	60
-	-	-	59
-	-	-	58
-	-	-	57
-	-	-	56
-	-	-	55
-	-	-	54
-	-	-	53
-	-	-	52
-	-	-	51
-	-	-	50
-	-	-	49
-	-	-	48
-	-	-	47
-	-	-	46
-	-	-	45
-	-	-	44
-	-	-	43
-	-	-	42
-	-	-	41
-	-	-	40
-	-	-	39
-	-	-	38
-	-	-	37
-	-	-	36
-	-	-	35
-	-	-	34
-	-	-	33
-	-	-	32
-	-	-	31
-	-	-	30
-	-	-	29
-	-	-	28
-	-	-	27
-	-	-	26
-	-	-	25
-	-	-	24
-	-	-	23
-	-	-	22
-	-	-	21
-	-	-	20
-	-	-	19
-	-	-	18
-	-	-	17
-	-	-	16
-	-	-	15
-	-	-	14
-	-	-	13
-	-	-	12
-	-	-	11
-	-	-	10
-	-	-	9
-	-	-	8
-	-	-	7
-	-	-	6
-	-	-	5
-	-	-	4
-	-	-	3
-	-	-	2
-	-	-	1

DIMENSIONS: mm [IN]		TOLERANCES UNLESS OTHERWISE SPECIFIED:	
Ø	PLC	±	
	PLC	±	
	PLC	±	
	PLC	±	
	ANGLES	±	
MATERIAL	FINISH		

APPROVED: M. CLIFFORD	DATE: 01OCT2008	NAME: M. CLIFFORD	PRODUCT SPEC: FINE ADJUST SIDE FEED HDI APPLICATOR
APPLICATION SPEC: See Table	SIZE: A1	CAGE CODE: 00779	DRAWING NO: C-1528172
WEIGHT: -	SCALE: 3:5	SHEET: 1	OF: 1
CUSTOMER ACCESSIBLE PRODUCTION DRAWING			

# Mouser Electronics

Authorized Distributor

Click to View Pricing, Inventory, Delivery & Lifecycle Information:

[TE Connectivity:](#)

[1528172-2](#)