

SAFETY ORGANIZATION(S):

THIS FILTER HAS BEEN FORMALLY RECOGNIZED, CERTIFIED OR APPROVED BY THE LISTED AGENCY. THEREFORE, ALL TEST/REQUIREMENTS SPECIFIED IN THE LATEST REVISION OF THE FOLLOWING AGENCY STANDARDS HAVE BEEN MET:

- UL 1283
- UL RECOGNIZED
- CSA 22.2, NO.0,0.4,8
- CSA CERTIFIED
- VDE 565-3
- VDE APPROVED
- SEV 1055/TP1977/5.1.1
- SEV APPROVED

OPERATING SPECIFICATIONS:

- LINE VOLTAGE/CURRENT: 6 AMP., 120/250 VAC
- 5 AMP./40°C, 250 VAC
- 50-60HZ
- LINE FREQUENCY: .3mA @ 120V 60HZ
- MAX. LEAKAGE CURRENT, EACH LINE TO GROUND: .5mA @ 250V 50HZ
- OPERATING AMBIENT TEMP. RANGE: -10°C TO +40°C @ RATED CURRENT, I_r

IN AN AMBIENT, T_a , HIGHER THAN 40°C, THE MAXIMUM OPERATING CURRENT, I_o , IS AS FOLLOWS:

$$I_o = I_r \sqrt{\frac{85-T_a}{45}}$$

RELIABILITY SPECIFICATIONS:

- STORAGE TEMPERATURE: -25°C TO +85°C
- HUMIDITY: 21 DAYS @ 40°C 95% RH
- CURRENT OVERLOAD TEST: 6 TIMES RATED CURRENT FOR 8 SECONDS

TEST SPECIFICATIONS:

- INDUCTANCE: 18.5 mH NOMINAL
- CAPACITANCE: (MEASURED @ 1 KHZ, 0.25 VAC MAX., 25°C ±1°C)
 - LINE TO GROUND: .008µF ±20%
 - LINE TO LINE: .94µF ±20%
- DISCHARGE RESISTOR: 330KΩ
- LINE/GROUND AND LINE/LINE INSULATION RESISTANCE: 6000 MΩ (MIN) AT 100 VDC
- (W/O DISCHARGE RESISTOR) 20°C AND 50% RH

RECOMMENDED RECEIVING INSPECTION HIPOT:

- LINES TO GROUND: 2250 VDC FOR 1 MINUTE
- LINE TO LINE: 1450 VDC FOR 1 MINUTE

FILTER APPROVAL:

THE BEST WAY TO SELECT AND QUALIFY A FILTER IS FOR YOUR ENGINEERING TO TEST THE UNIT IN YOUR EQUIPMENT.

TOLERANCE EXCEPT AS NOTED

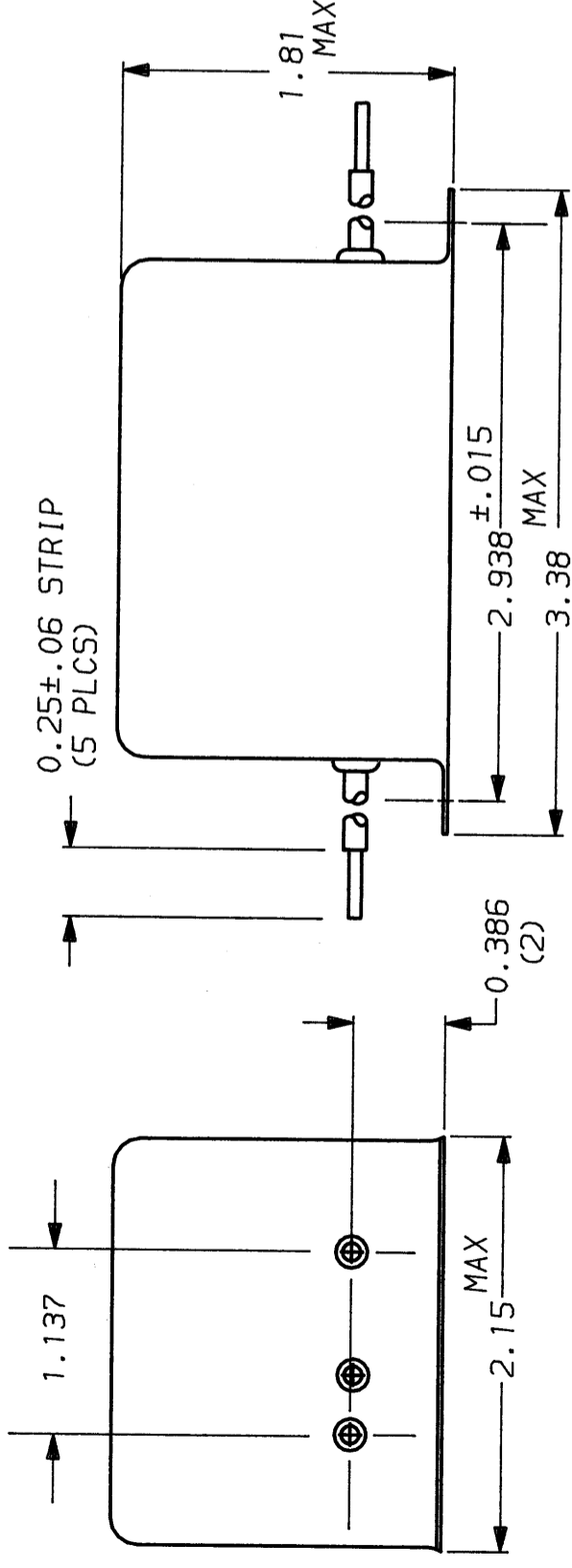
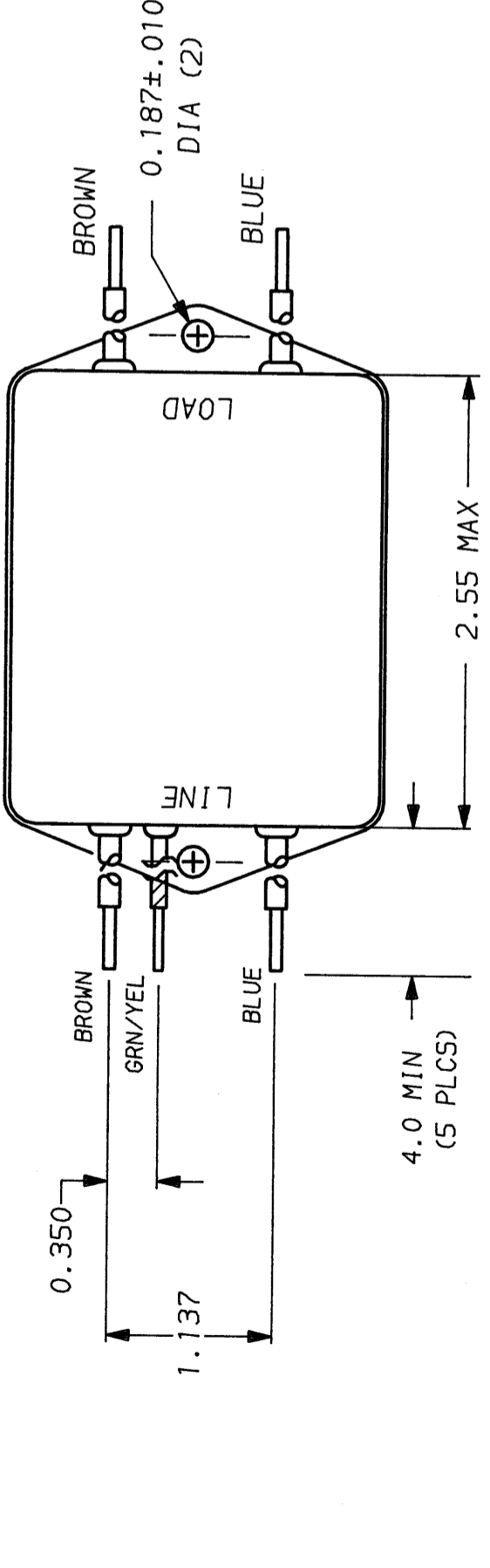
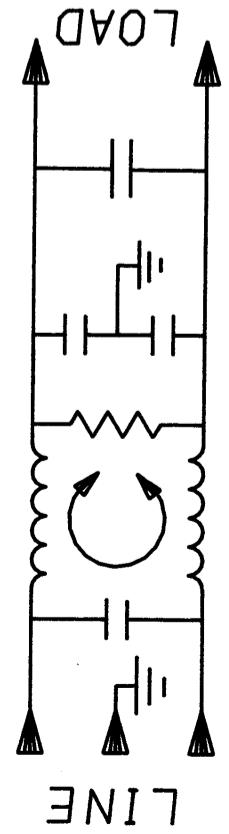
DECIMAL: .XXX .XX .X ANGLES ± 1°
 ENGLISH: ± .025
 METRIC: ±


MATERIAL: AS SUPPLIED

FINISH:

This document is proprietary to CORCOM INC. and is not to be reproduced nor used for manufacturing purposes except on CORCOM's order or prior written consent.

50Ω - 50Ω (MINIMUM) INSERTION LOSS												
FREQUENCY MHz	.01	.03	.05	.15	.50	1.0	2.0	5.0	10	20	30	
COMMON dB	16	26	30	41	47	44	43	43	40	40	42	42
DIFF. dB	4	2	14	51	70	70	65	50	47	50	55	



 CORCOM LIBERTYVILLE, IL 60048	POWER LINE FILTER	
	SCALE: NTS 5-12-88 DATE: 5-12-88 DRG. NO.: 6ET3.02	REV. NO.: 6ET3.02

Mouser Electronics

Authorized Distributor

Click to View Pricing, Inventory, Delivery & Lifecycle Information:

[TE Connectivity:](#)

[6ET3](#) [6609046-5](#)