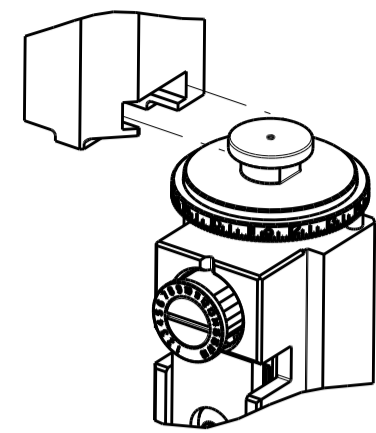


PART NUMBER	REVISION	DESCRIPTION	FEED TYPE
2151090-1	B	FINE CRIMP HEIGHT ADJUST	MECHANICAL
2151090-2	B	FINE CRIMP HEIGHT ADJUST	PNEUMATIC
7-2151090-1	B	MECHANICAL AND CRIMP TOOLING KIT	MECHANICAL
7-2151090-2	B	PNEUMATIC AND CRIMP TOOLING KIT	PNEUMATIC
7-2151090-7	A	CRIMP TOOLING KIT	-

ATLANTIC VERSION TERMINATOR INTERFACE ADAPTER

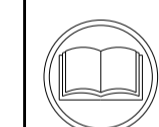


APPLICATOR DATA		
CRIMP	SIZE	TYPE
WIRE	1.78 mm [.070]	F
INSUL	2.03 mm [.080]	BX

APPLICATOR INSTRUCTIONS
408-35042

TERMINAL DATA: TE TERMINAL		TE CRIMP SPECIFICATION	
TERMINAL NAME: MULTILOCK .070 SERIES RECEPT / TAB CONTACT			
WIRE STRIP LENGTH		INSULATION DIAMETER RANGE	
3.12-3.87 mm [.123-.152 IN]		Ø1.55-1.70 mm [.061-.067 IN]	
TERMINAL APPLICATION SPECIFICATION	(A)1114-20056		
	(B)1114-20057		
TERMINALS APPLIED			
TE TERMINAL	TE TERMINAL	TE TERMINAL	TE TERMINAL
(A) 282374-1	(B) 282377-1		

WIRE SIZE	CRIMP HEIGHT mm [INCH]	CRIMP HEIGHT REFERENCE SETTING
0.50mm2	1.09 +/- 0.03 [.043 +/- .001]	6.1
0.35mm2	1.02 +/- 0.03 [.040 +/- .001]	7.0



1. RECOMMENDED SPARE PARTS
2. REFER TO SUPPLIED INSTRUCTION SHEET FOR CLEANING, LUBRICATION AND STORAGE OF APPLICATOR.
3. APPLY PART NUMBER 2-23419-6 LOCTITE TO THREADS OF ITEM 242.
4. CRIMP HEIGHT REFERENCE SETTING WAS THE SETTING USED WHEN THE APPLICATOR WAS QUALIFIED AT THE FACTORY. ADJUSTMENT MAY BE NECESSARY WHEN RUNNING APPLICATOR IN THE FIELD.
5. UNLESS SPECIFIED OTHERWISE TORQUE VALUES SHALL BE USED PER DOCUMENT, 101-35000.

***WARNING**
ON INSTALLATION, SET WIRE DISC TO CRIMP HEIGHT REFERENCE SETTING FOR LARGEST WIRE SIZE. CRIMP HEIGHT REFERENCE SETTINGS GREATER THAN THE VALUE SHOWN MAY CAUSE DAMAGE TO THE CRIMP TOOLING, REFER TO THE INSTRUCTION SHEET FOR PROPER SETUP AND ADJUSTMENTS.

ATLANTIC VERSION
Shown on sheets 1 of 4 & 2 of 4
(Pacific version shown on sheets 3 of 4 & 4 of 4)

LOC	DIST	REVISIONS					
A	66	P	LTN	DESCRIPTION	DATE	OWN	APVD
		A		RELEASED	22NOV2011	KH	SX
		A1		ECR-13-004728	15MAR2013	KH	GB
		B		ECR-18-008135	28MAY2018	KH	JDG

-	1	-	1	-	2119640-1	PUSH ROD, AIR FEED	250					
-	1	-	1	-	1803259-1	BUSHING, FLANGED	249					
-	1	-	1	-	2119641-1	FEED CAM, AIR FEED	248					
-	1	1	1	1	2119082-9	CAM, SNAIL, INSULATION ADJUSTMENT	244					
-	1	1	1	1	2079764-1	WASHER, WAVE SPRING, CREST-TO-CREST	243					
-	1	1	1	1	2119083-1	RETAINER, INSULATION DIAL	242					
-	1	1	1	1	7-18023-7	SCR, SKT HD CAP M3 X 4.0	241					
-	-	1	-	1	2119580-1	MECHANICAL FEED ASSEMBLY	239					
-	1	-	1	-	2063440-1	AIR FEED MODULE	238					
-	2	-	2	-	21045-3	RING, RETAIN, EXTERN, 3/16 CRESCENT	172					
-	REF	REF	REF	REF	994970-2	COUNTER, MAGNETIC	164					
-	1	-	1	-	240638-1	SPRING, FEED FINGER	163					
-	1	-	1	-	3-23627-7	PIN, RETAIN, GRVD, 3/16 X .854	137					
-	1	-	1	-	2119799-1	HOLDER, FEED FINGER, AF	136					
-	1	1	1	1	2844908-1	SCREW, LOCKING	99					
-	1	1	1	1	2844907-1	POST, LOCKING	98					
-	1	1	1	1	455888-5	SPACER, CRIMPER	82					
-	1	1	1	1	1-22278-0	SPRING, COMPRESSION	77					
-	1	1	1	1	854769-1	HOLDER, INS	74					
-	1	1	1	1	1803607-1	DOCUMENTATION PACKAGE	71					
-	1	1	1	1	2119740-1	TAG, IDENTIFICATION	67					
-	2	2	2	2	2168078-1	SCREW, DRIVE, RH, RoHS, 2 x .188	66					
-	1	1	1	1	2168083-2	SCR, SKT HD CAP, RoHS, M4 X 8.0	60					
-	1	1	1	1	5-18022-5	SCR, HEX HD CAP, M4 X 6.0	59					
-	1	1	1	1	21028-2	PIN, SLOTTED SPRING .062 X .250	58					
-	1	1	1	1	1338685-1	PAWL, FEED	56					
-	4	4	4	4	2168083-3	SCR, SKT HD CAP, RoHS, M4 X 12.0	54					
-	2	2	2	2	1-2168083-0	SCR, SKT HD CAP, RoHS, M4 X 10	53					
-	1	1	1	1	1803382-6	HOLD DOWN, SPRING LOADED	50					
-	1	2	1	2	18023-9	SCR, SKT HD CAP M4 X 6.0	49					
-	-	1	-	1	2119652-1	FEED CAM, PRE FEED	48					
-	-	1	-	1	2119653-1	FEED CAM, POST FEED	47					
-	1	1	1	1	1803583-9	APPLICATOR BASIC ASSEMBLY, SF	46					
-	1	1	1	1	1803515-1	RAM ASSEMBLY, SF ATLANTIC	44					
-	1	1	1	1	1803602-1	SCR, BHSC, RoHS (M8 X 25)	41					
-	1	1	1	1	1752356-3	SUPPORT, TERMINAL	34					
-	2	2	2	2	2079383-5	SCR, BHSC, RoHS (M4 X 20)	33					
-	2	2	2	2	2-2844962-8	SPACER, CYLINDRICAL, STRIP GUIDE	30					
-	1	1	1	1	2844992-1	ASSEMBLY, STRIP GUIDE	29					
-	1	1	1	1	1-455888-0	SPACER, CRIMPER	28					
-	1	1	1	1	1320928-2	STRIP GUIDE	24					
-	1	1	1	1	2168083-2	SCR, SKT HD CAP, RoHS, M4 X 8.0	21					
-	2	2	2	2	1-18028-2	WASHER, FLAT, REG M4	20					
-	1	1	1	1	2119533-1	STRIPPER, SIDE FEED	19					
-	1	1	1	1	2119806-1	INSERT, SHEAR	13					
-	1	1	1	1	3-22280-3	SPRING, COMPRESSION	12					
-	1	1	1	1	1-356885-4	STOP, SHEAR	11					
-	1	1	1	1	2119805-1	SHEAR HOLDER, FRONT	10					
-	1	1	1	1	1803095-1	FLOATING SHEAR, FRONT	9					
-	1	2	1	1	4-1333203-5	ANVIL, COMBINATION	8					
-	1	1	1	1	2119780-1	DEPRESSOR, SHEAR	5					
-	1	1	1	1	2-238011-2	BLOCK, CRIMPER SPACER	4					
-	1	2	2	1	1633989-3	CRIMPER, INSULATION, SPECIAL	3					
-	1	1	1	1	455888-9	SPACER, CRIMPER	2					
-	1	2	2	1	1-456404-5	CRIMPER, WIRE PREMIUM	1					
-	77	-	72	-	71	-	2	-	1	PART NO	DESCRIPTION	ITEM NO

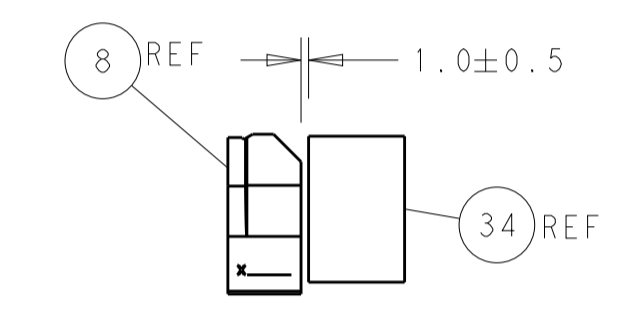
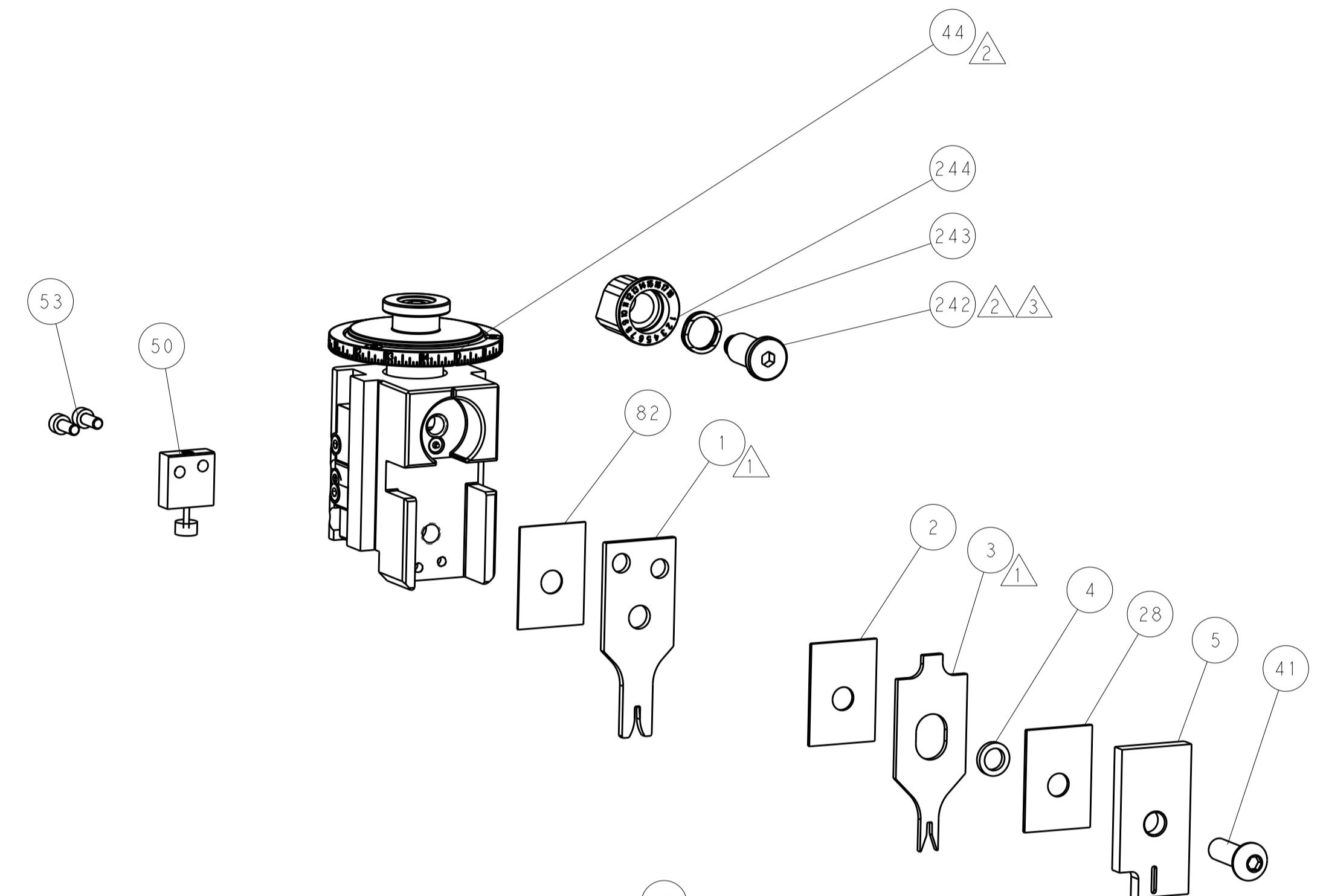
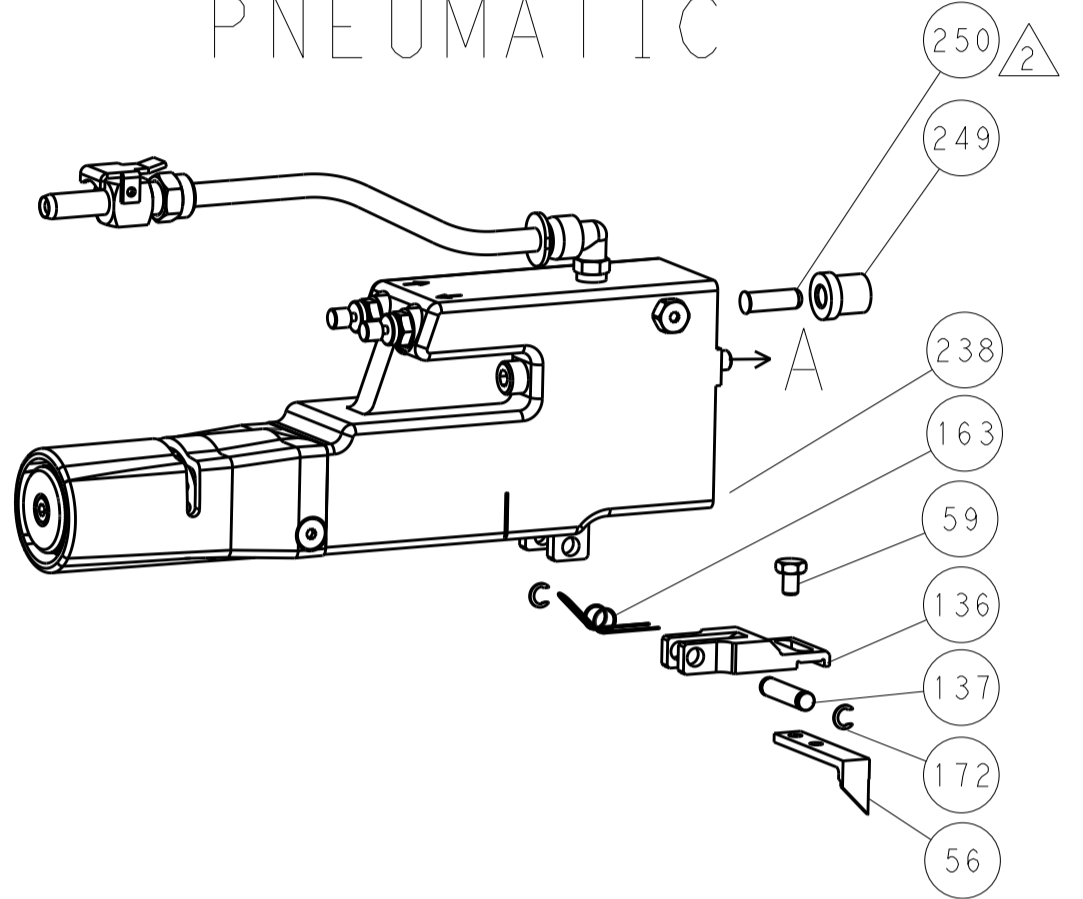
DIMENSIONS:		TOLERANCES UNLESS OTHERWISE SPECIFIED:		OWN S. ZOU 29APR2011		TE Connectivity	
mm		0 PLC ±		CHK T. ELBIN 29APR2011		Harrisburg, PA 17105-3608	
		1 PLC ±		APVD S. XI 29APR2011		NAME Ocean Side Feed Applicator	
		2 PLC ±		PRODUCT SPEC		SIZE CAGE CODE DRAWING NO RESTRICTED TO	
		3 PLC ±		APPLICATION SPEC		A1 00779 C=2151090	
		4 PLC ±		WEIGHT		Customer Accessible Production Drawing SCALE 1:2 SHEET 1 OF 4 REV B	
MATERIAL		FINISH					

LOC		DIST		REVISONS			
A	66	P	LTM	DESCRIPTION	DATE	DWN	APVD
		-		SEE SHEET 1	-	-	-

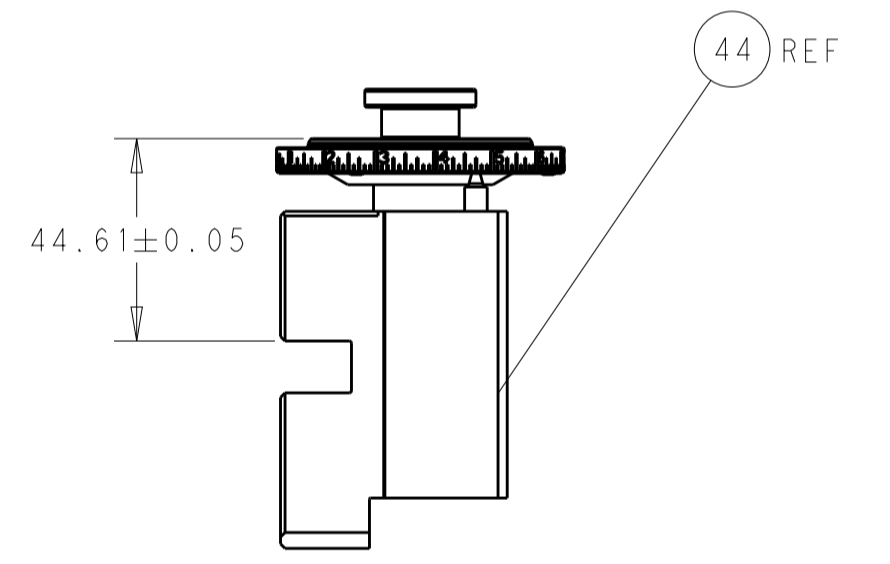
FEED TYPE MECHANICAL



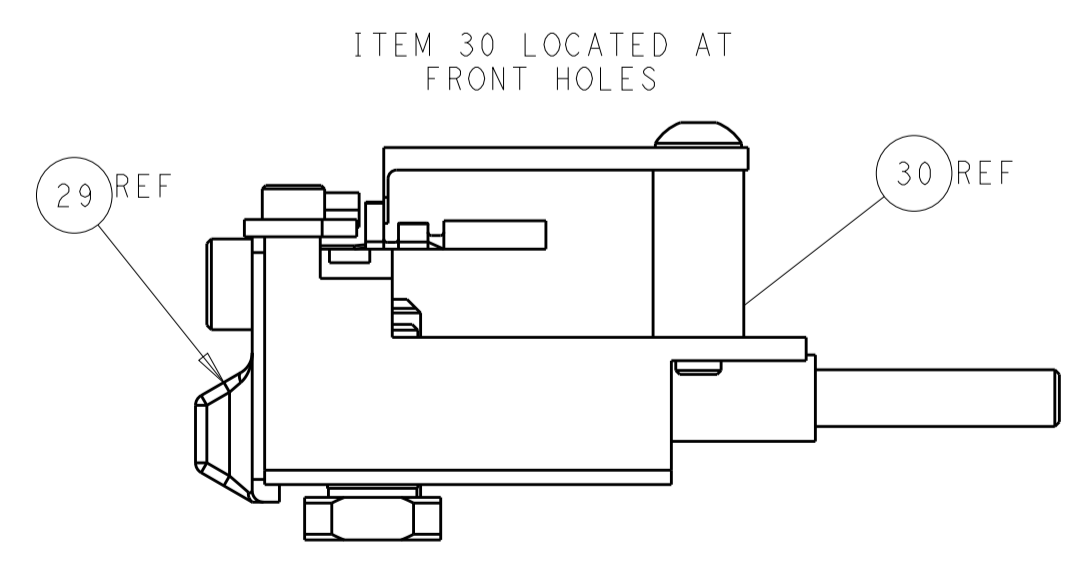
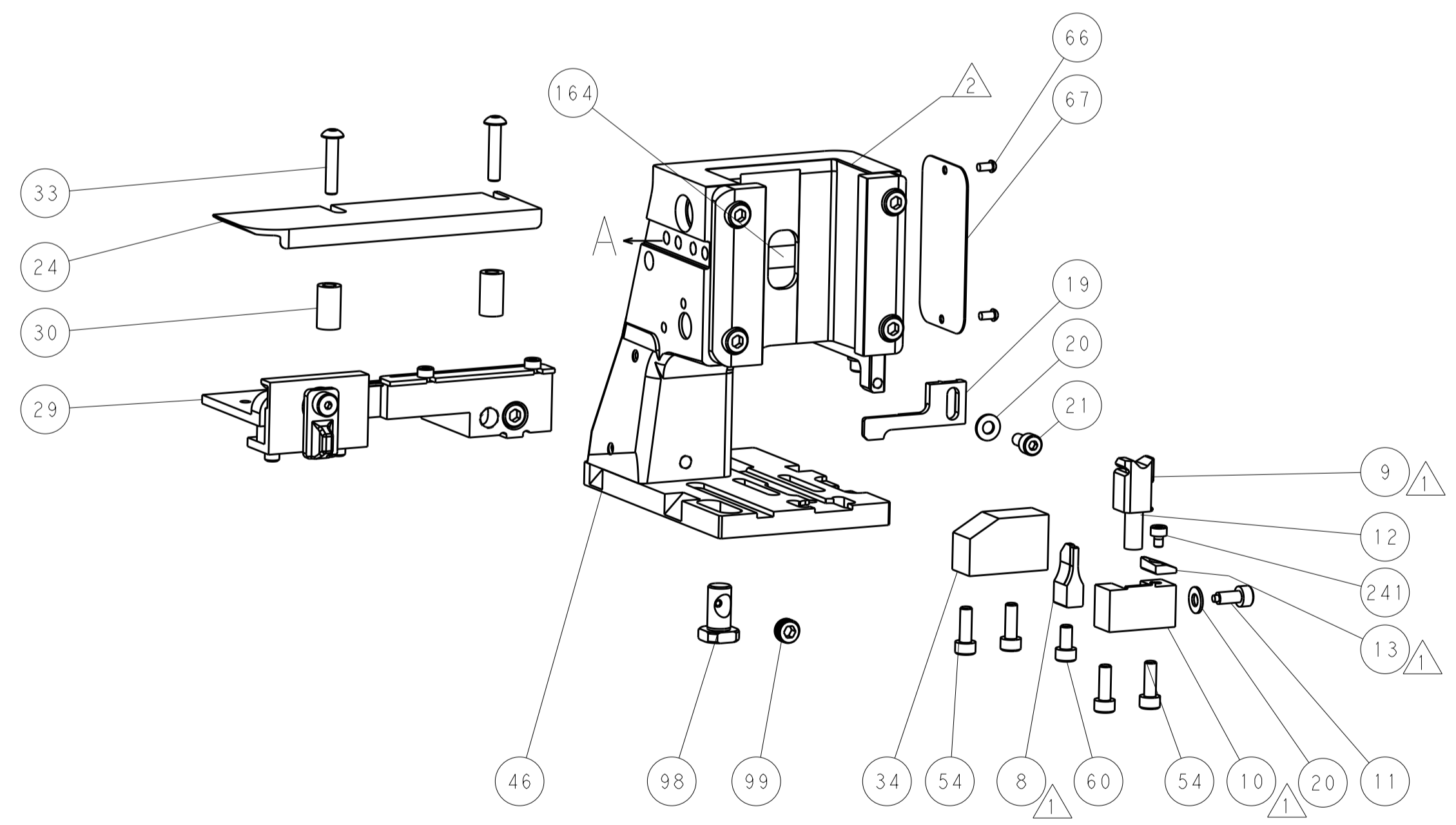
PNEUMATIC



TERMINAL SUPPORT LOCATION



RAM SET-UP



FEED TRACK POSITION GUIDE BY INSULATION BARREL

CAM POSITIONS



ATLANTIC VERSION
 Shown on sheets 1 of 4 & 2 of 4
 (Pacific version shown on sheets 3 of 4 & 4 of 4)

DIMENSIONS:		TOLERANCES UNLESS OTHERWISE SPECIFIED:		DWN S_ZOU 29APR2011		TE Connectivity	
mm	0 PLC ±	1 PLC ±	2 PLC ±	3 PLC ±	4 PLC ±	Harrisburg, PA 17105-3608	
MATERIAL:		FINISH:		APVD S_XI 29APR2011		NAME	
				PRODUCT SPEC		Ocean Side Feed Applicator	
				APPLICATION SPEC		SIZE CAGE CODE DRAWING NO	
				WEIGHT		A1 00779 ©=2151090	
				Customer Accessible Production Drawing		RESTRICTED TO	
				SCALE 1:2		SHEET 2 OF 4 REV B	

PART NUMBER	REVISION	DESCRIPTION	FEED TYPE
2-2151090-1	B	FINE CRIMP HEIGHT ADJUST	MECHANICAL
2-2151090-2	B	FINE CRIMP HEIGHT ADJUST	PNEUMATIC
7-2151090-7	A	CRIMP TOOLING KIT	-

PACIFIC VERSION TERMINATOR
INTERFACE ADAPTER



APPLICATOR DATA		
CRIMP	SIZE	TYPE
WIRE	1.78 mm [.070]	F
INSUL	2.03 mm [.080]	BX

APPLICATOR INSTRUCTIONS
408-35042

TERMINAL DATA: TE TERMINAL		TE CRIMP SPECIFICATION	
TERMINAL NAME: MULTILOCK .070 SERIES RECEPT / TAB CONTACT			
WIRE STRIP LENGTH		INSULATION DIAMETER RANGE	
3.12-3.87 mm [.123-.152 IN]		∅1.55-1.70 mm [.061-.067 IN]	
TERMINAL APPLICATION SPECIFICATION	(A)114-20056		
	(B)114-20057		
TERMINALS APPLIED			
TE TERMINAL	TE TERMINAL	TE TERMINAL	TE TERMINAL
(A) 282374-1	(B) 282377-1		

WIRE SIZE	CRIMP HEIGHT mm [INCH]	CRIMP HEIGHT REFERENCE SETTING
0.50mm2	1.09 +/- 0.03 [.043 +/- .001]	6.1
0.35mm2	1.02 +/- 0.03 [.040 +/- .001]	7.0



- 1. RECOMMENDED SPARE PARTS
- 2. REFER TO SUPPLIED INSTRUCTION SHEET FOR CLEANING, LUBRICATION AND STORAGE OF APPLICATOR.
- 3. APPLY PART NUMBER 2-23419-6 LOCTITE TO THREADS OF ITEM 242.
- 4. CRIMP HEIGHT REFERENCE SETTING WAS THE SETTING USED WHEN THE APPLICATOR WAS QUALIFIED AT THE FACTORY. ADJUSTMENT MAY BE NECESSARY WHEN RUNNING APPLICATOR IN THE FIELD.
- 5. UNLESS SPECIFIED OTHERWISE TORQUE VALUES SHALL BE USED PER DOCUMENT, 101-35000.

***WARNING**
ON INSTALLATION, SET WIRE DISC TO CRIMP HEIGHT REFERENCE SETTING FOR LARGEST WIRE SIZE. CRIMP HEIGHT REFERENCE SETTINGS GREATER THAN THE VALUE SHOWN MAY CAUSE DAMAGE TO THE CRIMP TOOLING, REFER TO THE INSTRUCTION SHEET FOR PROPER SETUP AND ADJUSTMENTS.

PACIFIC VERSION
Shown on sheets 3 of 4 & 4 of 4
(Atlantic version shown on sheets 1 of 4 & 2 of 4)

LOC	DIST	REV	DATE	BY	APPV
A	66				

REV	DATE	DESCRIPTION	ITEM NO		
-	1	-	2119640-1	PUSH ROD, AIR FEED	250
-	1	-	1803259-1	BUSHING, FLANGED	249
-	1	1	2119082-9	CAM, SNAIL, INSULATION ADJUSTMENT	244
-	1	1	2079764-1	WASHER, WAVE SPRING, CREST-TO-CREST	243
-	1	1	2119083-1	RETAINER, INSULATION DIAL	242
-	1	1	7-18023-7	SCR, SKT HD CAP M3 X 4.0	241
-	-	1	2119580-1	MECHANICAL FEED ASSEMBLY	239
-	1	-	2063440-1	AIR FEED MODULE	238
-	2	-	21045-3	RING, RETAIN, EXTERN, 3/16 CRESCENT	172
-	REF	REF	994970-2	COUNTER, MAGNETIC	164
-	1	-	240638-1	SPRING, FEED FINGER	163
-	1	-	2119641-2	FEED CAM, AIR FEED	151
-	1	1	2168083-8	SCR, SKT HD CAP, RoHS, M4 X 16	144
-	4	4	2168083-9	SCR, SKT HD CAP, RoHS, M4 X 20	143
-	-	1	2119653-2	FEED CAM, POST FEED	142
-	1	1	1-1803583-0	APPLICATOR BASIC ASSEMBLY, SF	141
-	1	1	1803516-1	RAM ASSEMBLY, SF PACIFIC	140
-	1	-	3-23627-7	PIN, RETAIN, GRVD, 3/16 X .854	137
-	1	-	2119799-1	HOLDER, FEED FINGER, AF	136
-	1	1	2844908-1	SCREW, LOCKING	99
-	1	1	2844907-1	POST, LOCKING	98
-	1	1	455888-5	SPACER, CRIMPER	82
-	1	1	1-22278-0	SPRING, COMPRESSION	77
-	1	1	854769-1	HOLDER, INS	74
-	1	1	1803607-1	DOCUMENTATION PACKAGE	71
-	1	1	2119740-1	TAG, IDENTIFICATION	67
-	2	2	2168078-1	SCREW, DRIVE, RH, RoHS, 2 x .188	66
-	1	1	5-18022-5	SCR, HEX HD CAP, M4 X 6.0	59
-	1	1	21028-2	PIN, SLOTTED SPRING .062 X .250	58
-	1	1	1338685-1	PAWL, FEED	56
-	2	2	1-2168083-0	SCR, SKT HD CAP, RoHS, M4 X 10	53
-	1	1	1803382-6	HOLD DOWN, SPRING LOADED	50
-	1	2	18023-9	SCR, SKT HD CAP M4 X 6.0	49
-	-	1	2119652-1	FEED CAM, PRE FEED	48
-	1	1	1803602-1	SCR, BHSC, RoHS (M8 X 25)	41
-	1	1	1752356-3	SUPPORT, TERMINAL	34
-	2	2	2079383-5	SCR, BHSC, RoHS (M4 X 20)	33
-	2	2	2-2844962-8	SPACER, CYLINDRICAL, STRIP GUIDE	30
-	1	1	2844992-1	ASSEMBLY, STRIP GUIDE	29
-	1	1	1-455888-0	SPACER, CRIMPER	28
-	1	1	1320928-2	STRIP GUIDE	24
-	1	1	2168083-2	SCR, SKT HD CAP, RoHS, M4 X 8.0	21
-	2	2	1-18028-2	WASHER, FLAT, REG M4	20
-	1	1	2119533-1	STRIPPER, SIDE FEED	19
-	1	1	2119806-1	INSERT, SHEAR	13
-	1	1	3-22280-3	SPRING, COMPRESSION	12
-	1	1	1-356885-4	STOP, SHEAR	11
-	1	1	2119805-1	SHEAR HOLDER, FRONT	10
-	1	1	1803095-1	FLOATING SHEAR, FRONT	9
1	1	1	4-1333203-5	ANVIL, COMBINATION	8
-	1	1	2119780-1	DEPRESSOR, SHEAR	5
-	1	1	2-238011-2	BLOCK, CRIMPER SPACER	4
1	1	1	1633989-3	CRIMPER, INSULATION, SPECIAL	3
-	1	1	455888-9	SPACER, CRIMPER	2
1	1	1	1-456404-5	CRIMPER, WIRE PREMIUM	1

DIMENSIONS:		TOLERANCES UNLESS OTHERWISE SPECIFIED:		MATERIAL:		FINISH:	
mm	0 PLC ±	1 PLC ±	2 PLC ±	3 PLC ±	4 PLC ±	ANGLES	

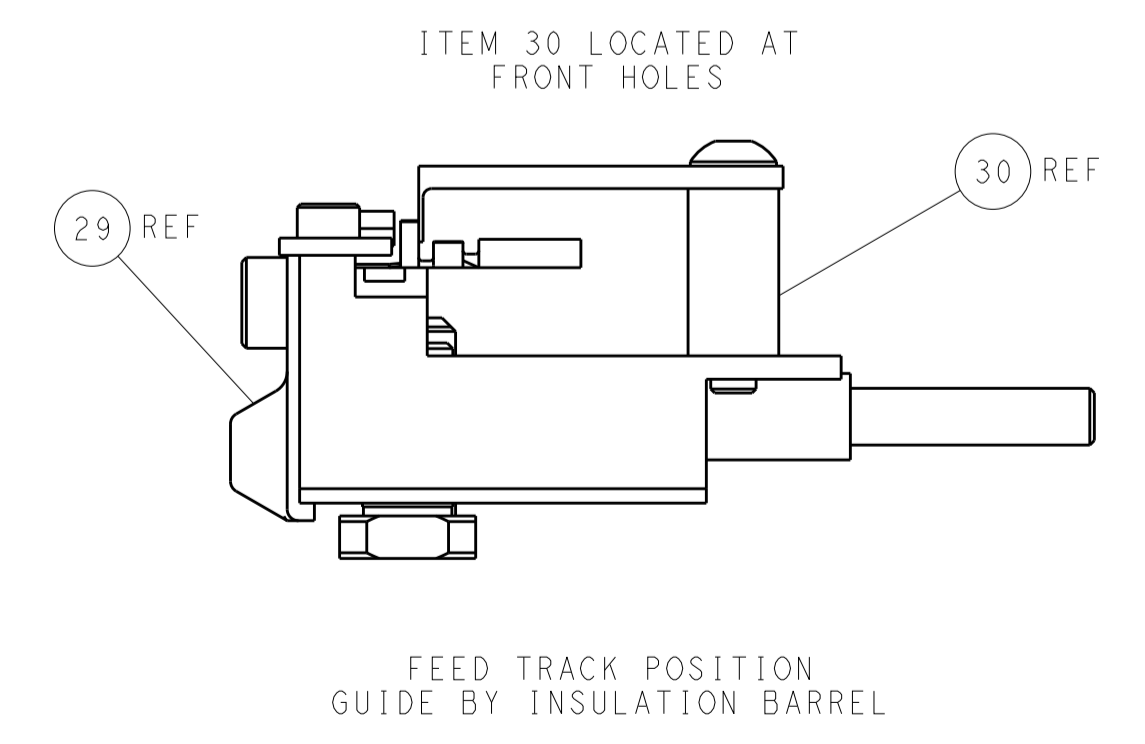
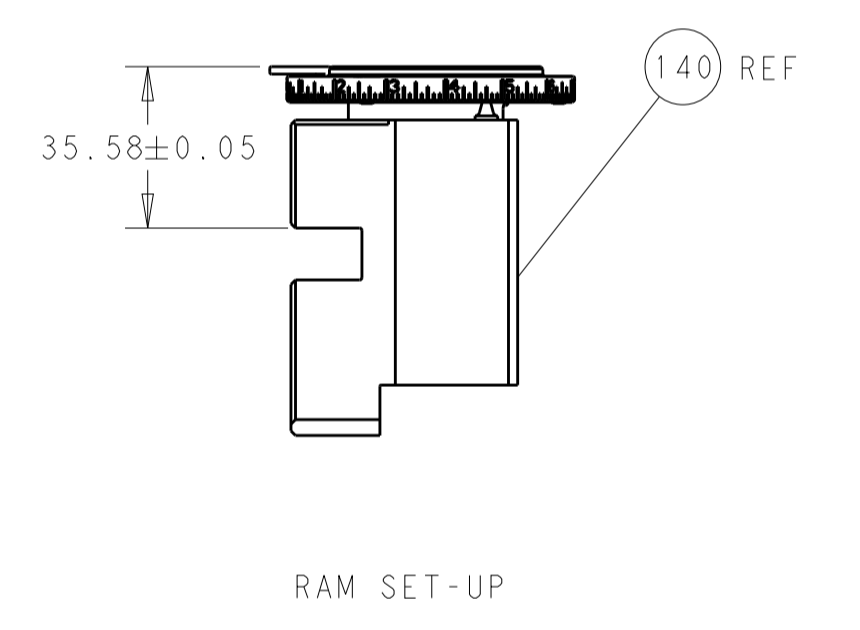
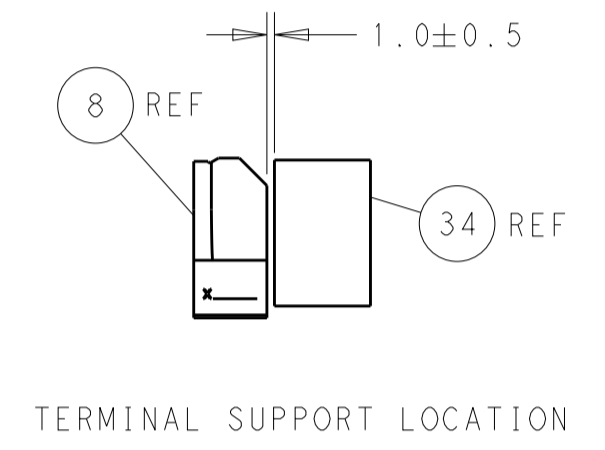
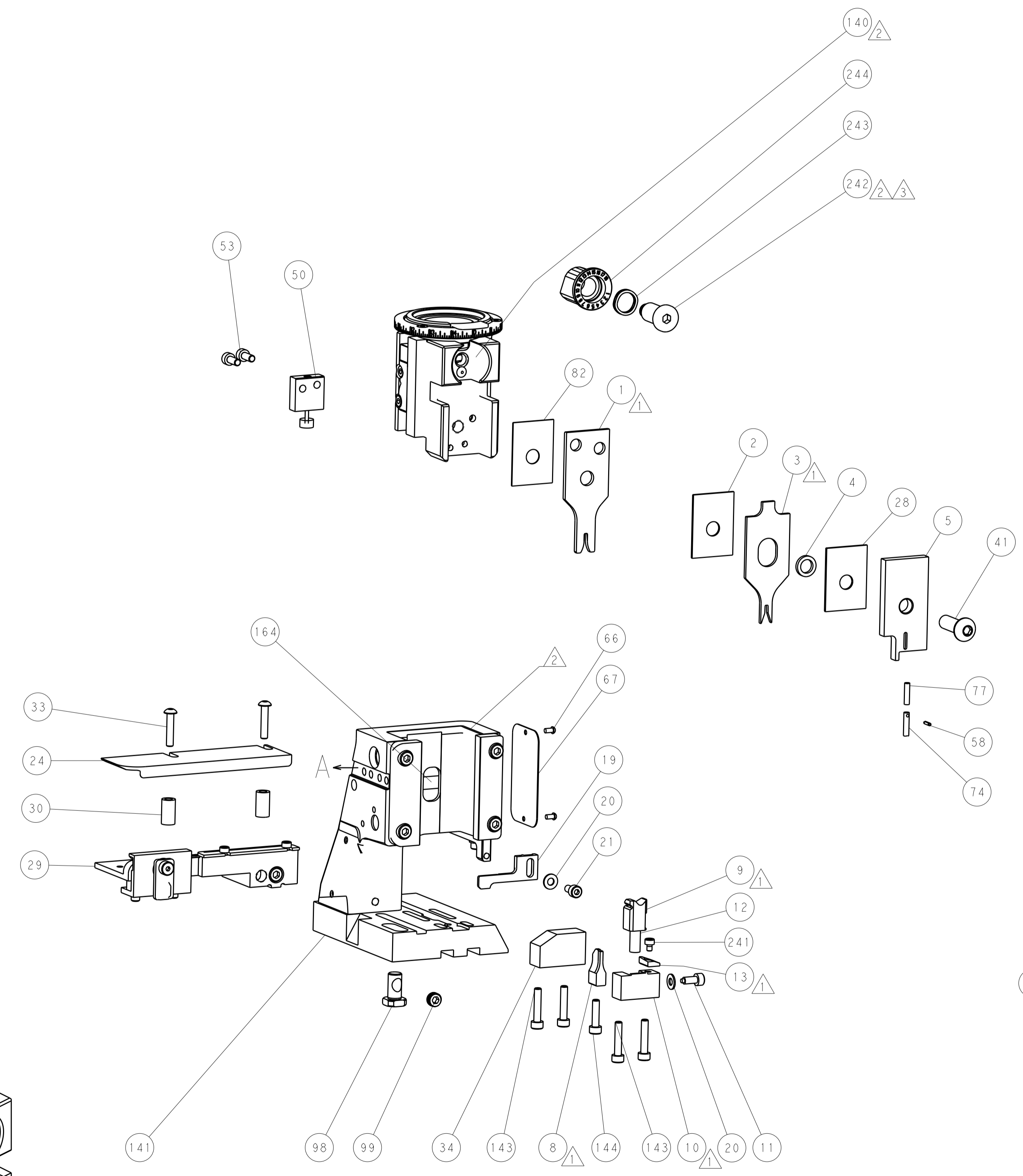
DATE	29APR2011	DESIGNER	S. ZOU
CHKD	29APR2011	DRWING	T. ELBIN
APPV	29APR2011	NAME	
PRODUCT SPEC		APPLICATION SPEC	
SIZE	A1	CAGE CODE	00779
DRAWING NO	2151090	SCALE	1:2
SHEET	3	OF	4
REV	B		

LOC		DIST		REVISIONS			
A	66	P	LTM	DESCRIPTION	DATE	DMN	APVD
		-		SEE SHEET 1			

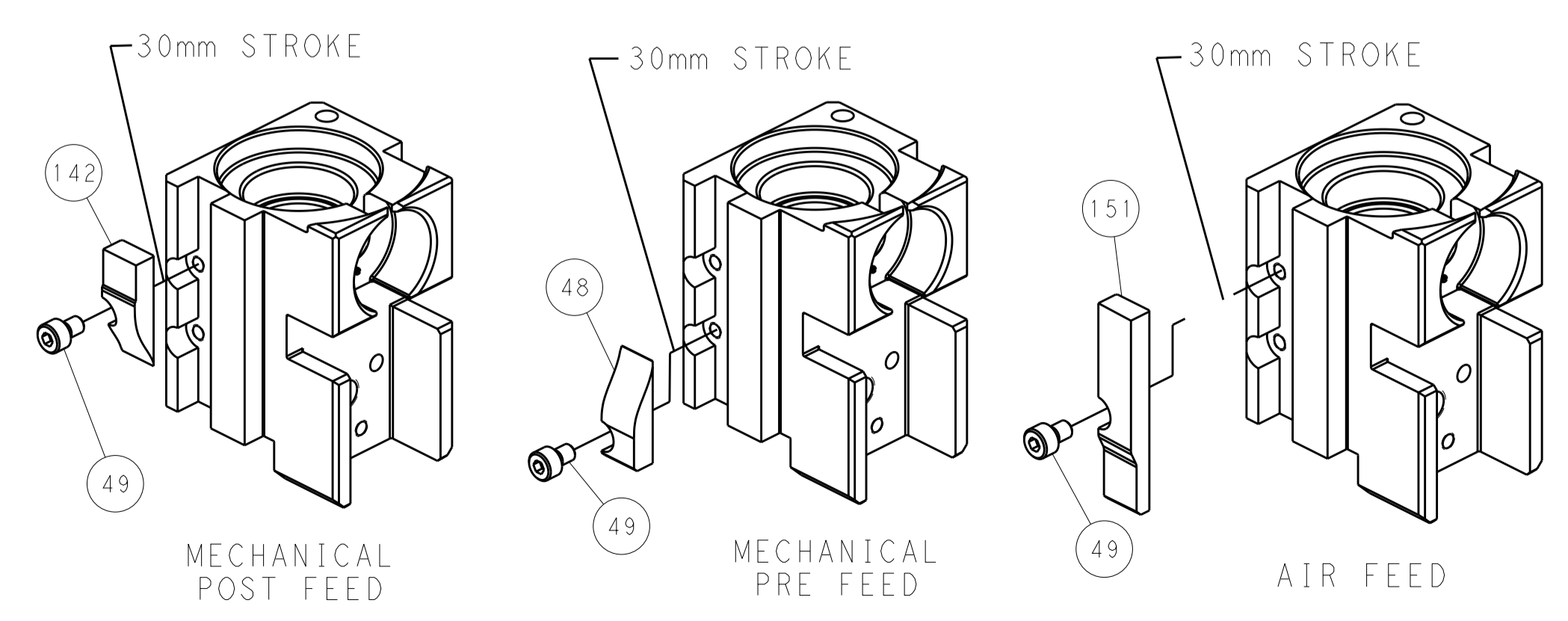
FEED TYPE MECHANICAL



PNEUMATIC



CAM POSITIONS



PACIFIC VERSION
 Shown on sheets 3 of 4 & 4 of 4
 (Atlantic version shown on sheets 1 of 4 & 2 of 4)

DIMENSIONS:		TOLERANCES UNLESS OTHERWISE SPECIFIED:		DWG: S_ZOU 29APR2011		TE Connectivity	
mm	0 PLC	±		CHK: T_ELFIN 29APR2011	Harrisburg, PA 17105-3608		
	1 PLC	±		APP'D: S_XI 29APR2011	NAME: Ocean Side Feed Applier		
	2 PLC	±		PRODUCT SPEC			
	3 PLC	±		APPLICATION SPEC			
	4 PLC	±		SIZE: CAGE CODE: DRAWING NO: RESTRICTED TO			
	ANGLES	±		A1 00779 ©=2151090			
MATERIAL:	FINISH:			WEIGHT:		Customer Accessible Production Drawing	
				SCALE: 1:2		SHEET 4 OF 4 REV B	

Mouser Electronics

Authorized Distributor

Click to View Pricing, Inventory, Delivery & Lifecycle Information:

[TE Connectivity:](#)

[2-2151090-1](#)