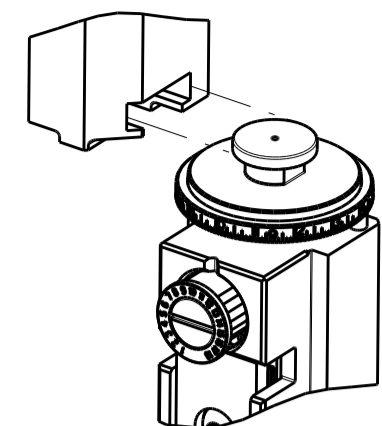


PART NUMBER	REVISION	DESCRIPTION	FEED TYPE
2151089-1	D	FINE CRIMP HEIGHT ADJUST	MECHANICAL
2151089-2	D	FINE CRIMP HEIGHT ADJUST	PNEUMATIC
7-2151089-1	D	MECHANICAL AND CRIMP TOOLING KIT	MECHANICAL
7-2151089-2	D	PNEUMATIC AND CRIMP TOOLING KIT	PNEUMATIC
7-2151089-7	C	CRIMP TOOLING KIT	-

ATLANTIC VERSION TERMINATOR INTERFACE ADAPTER



APPLICATOR DATA		
CRIMP	SIZE	TYPE
WIRE	3.05 mm [.120]	F
INSUL	4.57 mm [.180]	OV

APPLICATOR INSTRUCTIONS 408-35042

TERMINAL DATA: TE TERMINAL		TE CRIMP SPECIFICATION	
TERMINAL NAME: FASTIN-FASTON CONNECTOR .312 FLAG REC. CONTACT.			
WIRE STRIP LENGTH		INSULATION DIAMETER RANGE	
6.40-7.20 mm [.252-.283 IN]		Ø2.50-3.80 mm [.098-.150 IN]	
TERMINAL APPLICATION SPECIFICATION	114-3118		
TERMINALS APPLIED			
TE TERMINAL	TE TERMINAL	TE TERMINAL	TE TERMINAL
180453-1	180453-2	180453-4	180453-6
1-180453-2			

WIRE SIZE	CRIMP HEIGHT mm [INCH]	CRIMP HEIGHT REFERENCE SETTING
2.50mm2	1.90 +/- 0.05 [0.075 +/- .002]	6.8
2.00mm2	1.75 +/- 0.05 [0.069 +/- .002]	8.6
1.50mm2	1.62 +/- 0.05 [0.064 +/- .002]	9.6
1.00mm2	1.47 +/- 0.05 [0.058 +/- .002]	11.3

- 1 RECOMMENDED SPARE PARTS
- 2 REFER TO SUPPLIED INSTRUCTION SHEET FOR CLEANING, LUBRICATION AND STORAGE OF APPLICATOR.
- 3 APPLY PART NUMBER 2-23419-6 LOCTITE TO THREADS OF ITEM 242.
- 4 CRIMP HEIGHT REFERENCE SETTING WAS THE SETTING USED WHEN THE APPLICATOR WAS QUALIFIED AT THE FACTORY. ADJUSTMENT MAY BE NECESSARY WHEN RUNNING APPLICATOR IN THE FIELD.
- 5 GRIND TO LENGTH AT ASSEMBLY.
- 6. UNLESS SPECIFIED OTHERWISE TORQUE VALUES SHALL BE USED PER DOCUMENT, 101-35000.

***WARNING**
ON INSTALLATION, SET WIRE DISC TO CRIMP HEIGHT REFERENCE SETTING FOR LARGEST WIRE SIZE. CRIMP HEIGHT REFERENCE SETTINGS GREATER THAN THE VALUE SHOWN MAY CAUSE DAMAGE TO THE CRIMP TOOLING, REFER TO THE INSTRUCTION SHEET FOR PROPER SETUP AND ADJUSTMENTS.

ATLANTIC VERSION
Shown on sheets 1 of 4 & 2 of 4
(Pacific version shown on sheets 3 of 4 & 4 of 4)

LOC	DIST	REVISIONS			
A	66	REV	DATE	BY	APPV
		B1	ECR-16-004183	21MAR2016	JH JDG
		C	ECR-16-005378	13APR2016	XZ JDG
		D	ECR-19-006751	26APR2019	LG CT
		D1	ECR-19-009798	24JUN2019	FZ TE

-	1	-	1	-	2119640-1	PUSH ROD, AIR FEED	250	
-	1	-	1	-	1803259-1	BUSHING, FLANGED	249	
-	1	-	1	-	2119641-1	FEED CAM, AIR FEED	248	
-	1	1	1	1	2119082-6	CAM, SNAIL, INSULATION ADJUSTMENT	244	
-	1	1	1	1	2079764-1	WASHER, WAVE SPRING, CREST-TO-CREST	243	
-	1	1	1	1	2119083-1	RETAINER, INSULATION DIAL	242	
-	1	-	1	-	2119580-1	MECHANICAL FEED ASSEMBLY	239	
-	1	-	1	-	2063440-1	AIR FEED MODULE	238	
-	2	-	2	-	21045-3	RING, RETAIN, EXTERN, 3/16 CRESCENT	172	
-	REF	REF	REF	REF	994970-2	COUNTER, MAGNETIC	164	
-	1	-	1	-	240638-1	SPRING, FEED FINGER	163	
-	1	-	1	-	3-23627-7	PIN, RETAIN, GRVD, 3/16 X .854	137	
-	1	-	1	-	2119799-1	HOLDER, FEED FINGER, AF	136	
-	1	1	1	1	2217068-1	BRACKET, AIR BLAST	130	
-	457	457	457	457	2030758-3	TUBING, POLYURETHANE	129	
-	1	1	1	1	5018030-2	NUT, HEX, REG, RoHS, M4	128	
-	1	1	1	1	1-2168083-0	SCR, SKT HD CAP, RoHS, M4 X 10	127	
-	1	1	1	1	986220-3	CLAMP, CABLE, BLACK	126	
-	1	1	1	1	1-22281-8	SPRING, COMPRESSION	121	
-	1	1	1	1	3-690487-8	GUIDE, FRONT STRIP	115	
-	1	1	1	1	23238-1	INSERT, COUPLING	101	
-	1	1	1	1	980371-4	SCR, SKT HD SHLDR 5.0 DIA X 6.0	100	
-	1	1	1	1	2844908-1	SCREW, LOCKING	99	
-	2	2	2	2	2168400-1	SHCS, LOW HEAD, RoHS, M4 X 12	98	
-	1	1	1	1	2844907-1	POST, LOCKING	97	
-	1	1	1	1	2168083-6	SCR, SKT HD CAP, RoHS, M5 X 6.5	93	
-	2	2	2	2	2-18032-5	SCR, SET, FLT PNT, M5 X 20.0	91	
-	2	2	2	2	1-2168083-3	SCR, SKT HD CAP, RoHS, M3 X 16	85	
-	1	1	1	1	455888-5	SPACER, CRIMPER	82	
-	1	1	1	1	1803607-1	DOCUMENTATION PACKAGE	71	
-	1	1	1	1	2119740-1	TAG, IDENTIFICATION	67	
-	2	2	2	2	2168078-1	SCREW, DRIVE, RH, RoHS, 2 x .188	66	
-	1	1	1	1	2168083-2	SCR, SKT HD CAP, RoHS, M4 X 8.0	60	
-	1	1	1	1	5-18022-5	SCR, HEX HD CAP, M4 X 6.0	59	
-	1	1	1	1	1338685-2	PAWL, FEED	56	
-	2	2	2	2	1-18023-4	SCR, SKT HD CAP M4 X 20.0	53	
-	1	1	1	1	1803011-4	HOLDER, SLUG BLADE	50	
-	1	2	1	2	18023-9	SCR, SKT HD CAP M4 X 6.0	49	
-	-	1	-	1	2119652-1	FEED CAM, PRE FEED	48	
-	-	1	-	1	2119653-1	FEED CAM, POST FEED	47	
-	1	1	1	1	1803583-1	APPLICATOR BASIC ASSEMBLY, SF	46	
-	1	1	1	1	1803515-1	RAM ASSEMBLY, SF ATLANTIC	44	
-	1	1	1	1	1803602-1	SCR, BHSC, RoHS (M8 X 25)	41	
-	2	2	2	2	2079383-8	SCR, BHSC, RoHS (M4 X 16)	33	
-	2	2	2	2	5-2844962-7	SPACER, CYLINDRICAL, STRIP GUIDE	30	
-	1	1	1	1	1-2844938-9	PLATE, STRIP GUIDE	29	
-	2	2	2	2	22282-1	SPRING, COMPRESSION	27	
-	1	1	1	1	356835-1	LEVER, DRAG RELEASE	26	
-	1	1	1	1	6-690754-4	DRAG, SPECIAL	25	
-	1	1	1	1	7-690440-5	GUIDE, REAR STRIP	23	
-	2	2	2	2	2168083-8	SCR, SKT HD CAP, RoHS, M4 X 16	21	
-	4	4	4	4	1-18028-2	WASHER, FLAT, REG M4	20	
-	1	1	1	1	2161830-1	COMBINATION STRIPPER	19	
-	1	1	1	1	2-1583859-0	BLADE, SLUG	10	
-	1	1	1	1	2-1803012-3	PLATE, REAR SHEAR	9	
-	1	2	2	1	1803010-1	ANVIL, SPCEIAL, COMBINATION	8	
-	1	1	1	1	238009-3	BLOCK, FL CRIMPER SPACER	4	
-	1	2	2	1	7-2119785-0	CRIMPER, INSULATION OVERLAP PREMIUM	3	
-	1	1	1	1	3-455888-7	SPACER, CRIMPER	2	
-	1	2	2	1	2-456409-9	CRIMPER, WIRE .120 "F" PREMIUM	1	
-	77	-72	-71	-2	-1	PART NO	DESCRIPTION	ITEM NO

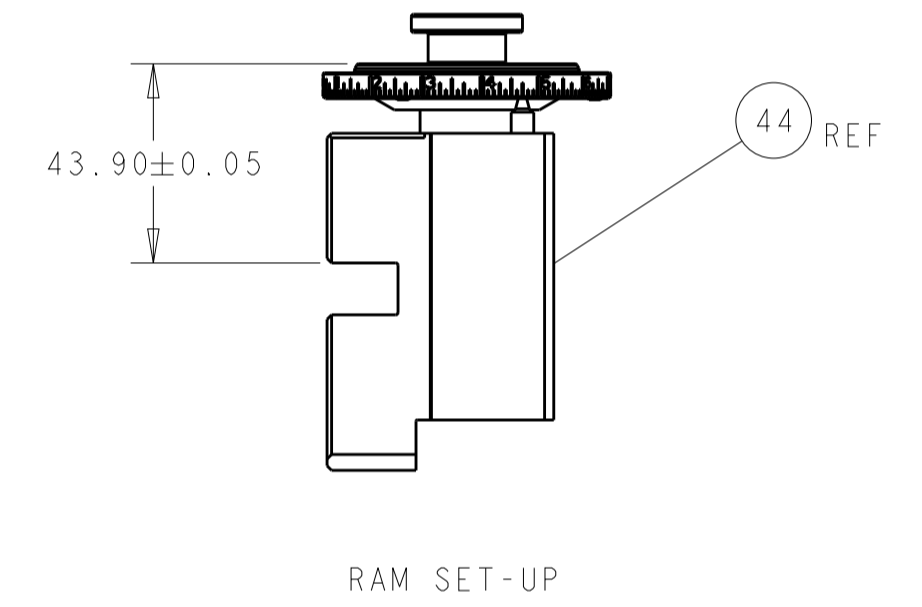
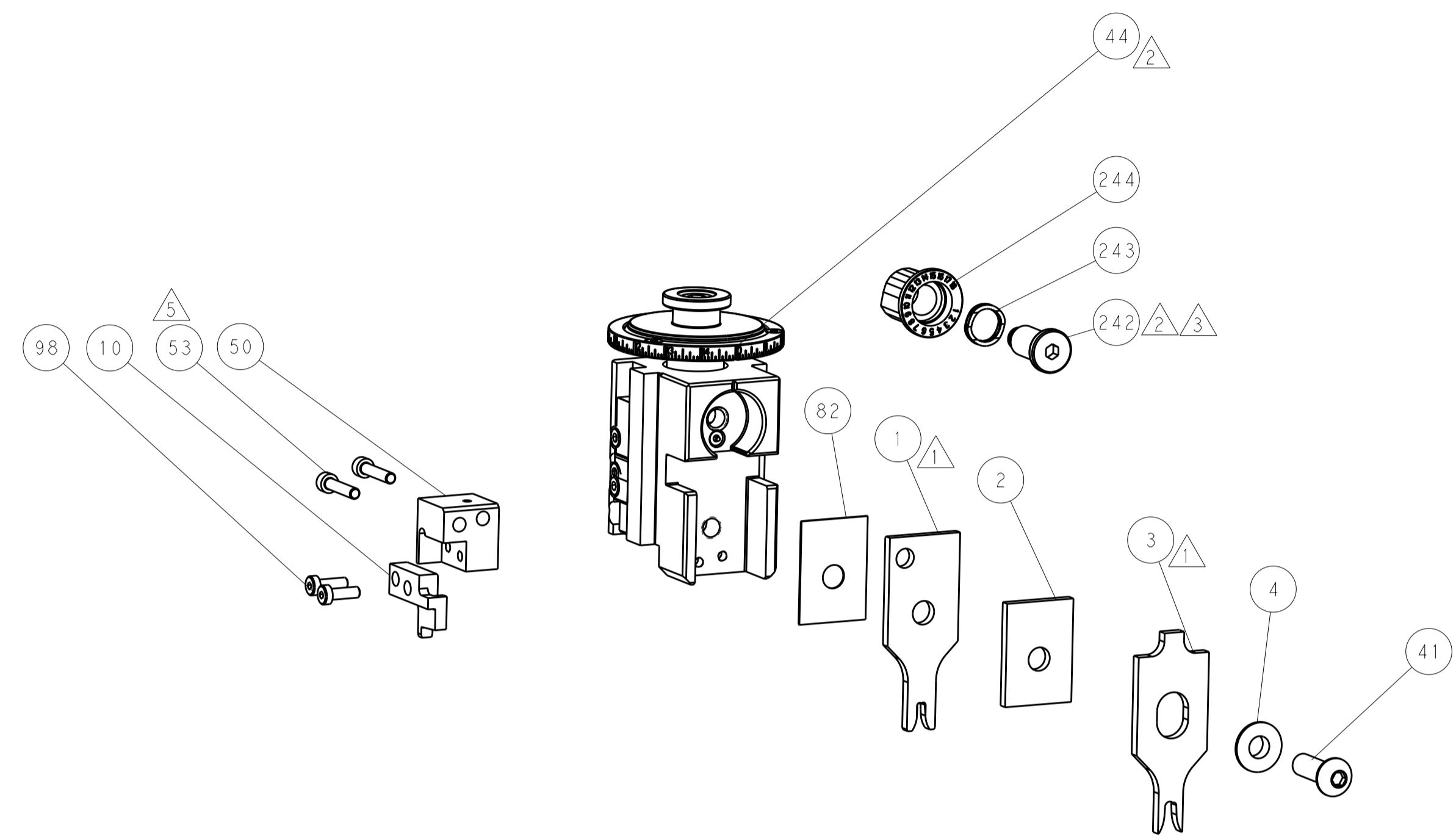
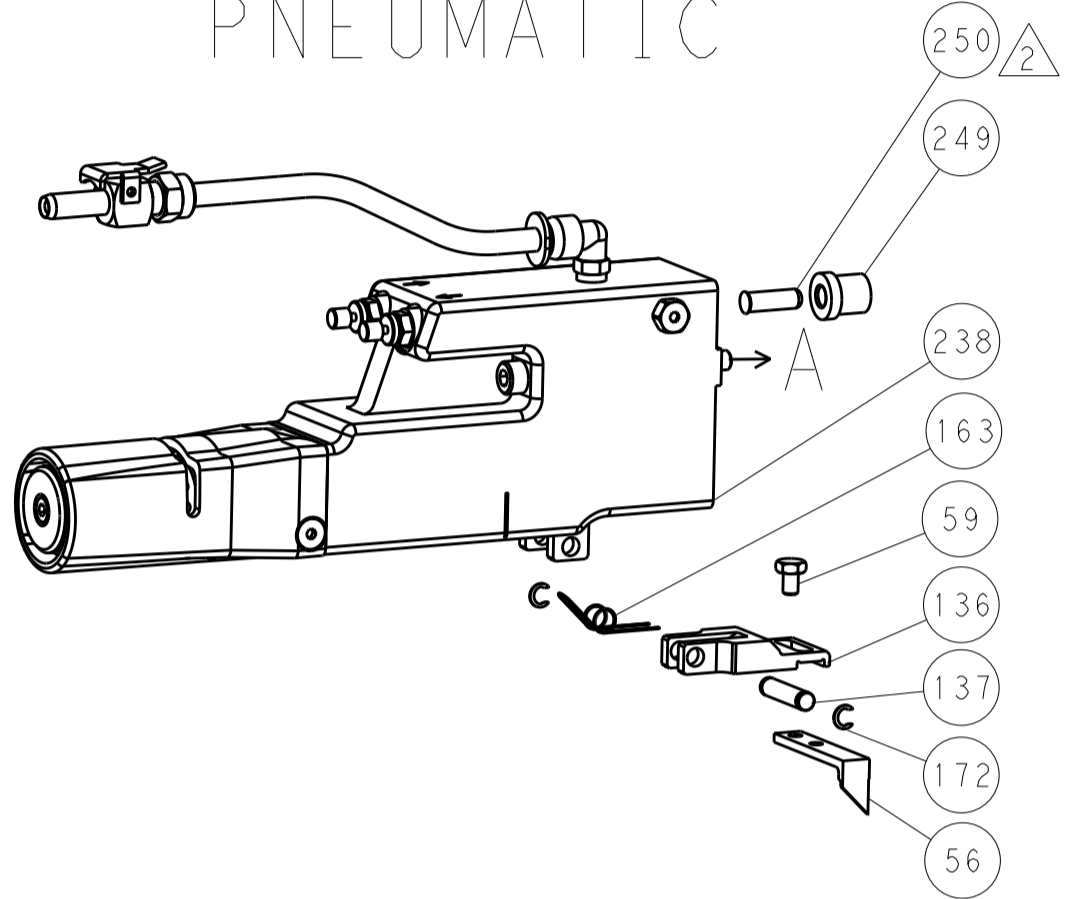
DIMENSIONS:		TOLERANCES UNLESS OTHERWISE SPECIFIED:		DWG: S_ZOU 26MAY2011		REV: 1	
mm	0 PLC ±	1 PLC ±	2 PLC ±	3 PLC ±	4 PLC ±	TE Connectivity Harrisburg, PA 17105-3608	
MATERIAL:		FINISH:		APVD: S_XI 26MAY2011		NAME: Ocean Side Feed Applicator	
CUSTOMER DRAWING		SCALE: 1:2		SHEET 1 OF 4		REV: D1	

LOC		DIST		REVISIONS			
A	66	P	LTM	DESCRIPTION	DATE	DWN	APVD
		-		SEE SHEET 1			

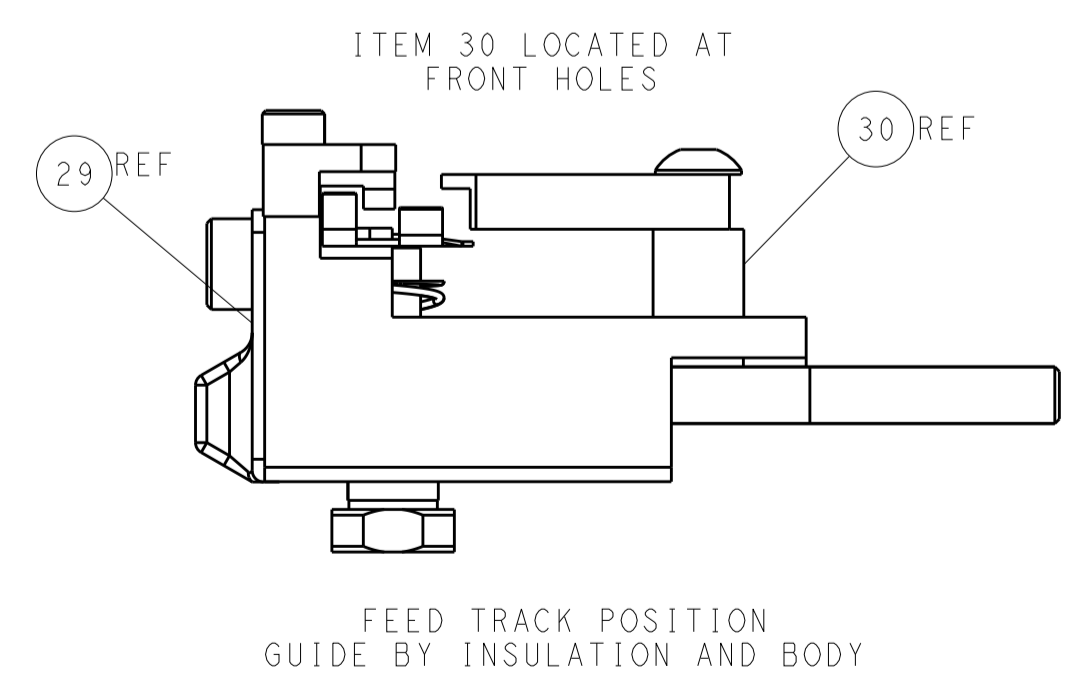
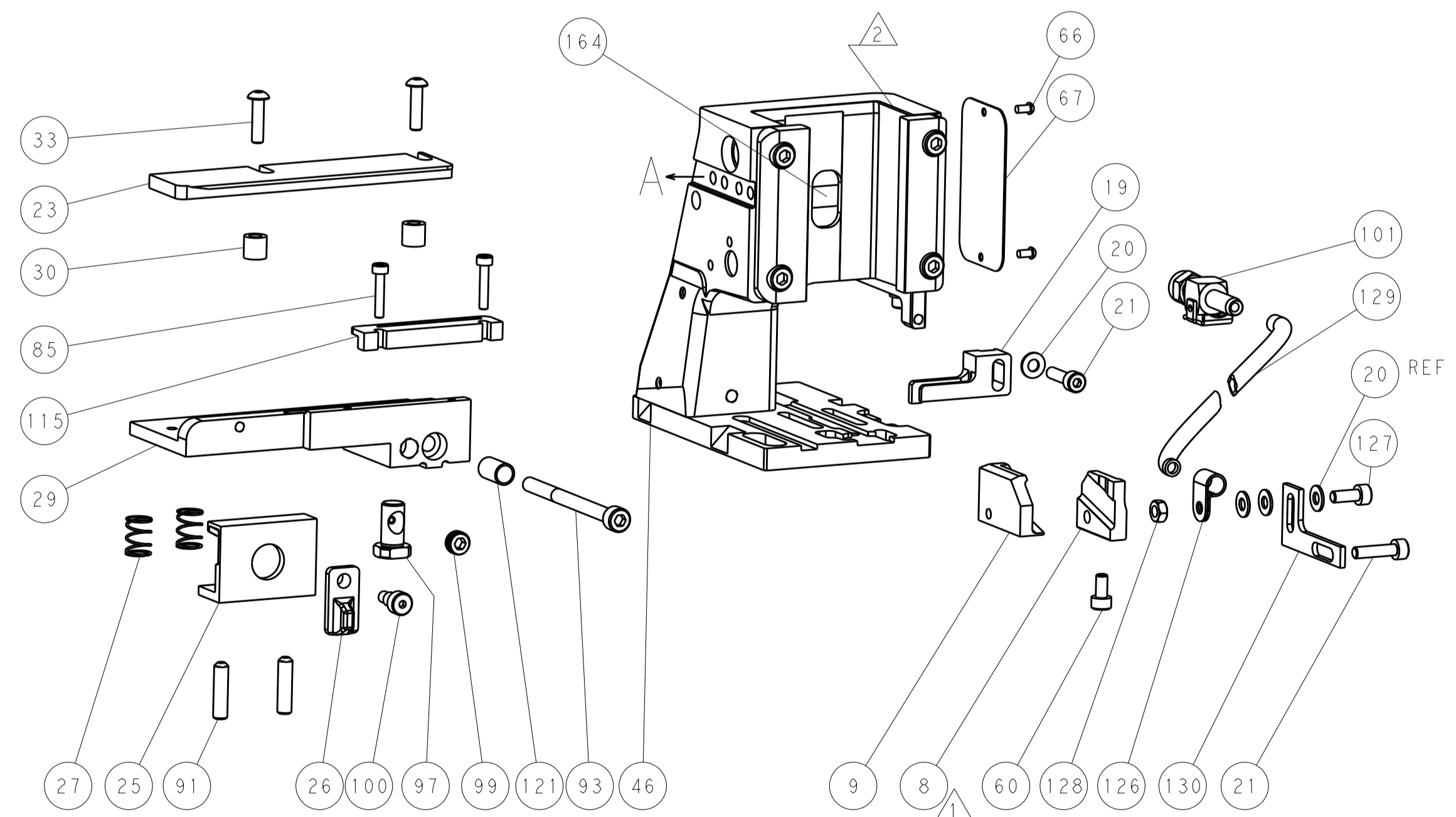
FEED TYPE MECHANICAL



PNEUMATIC



CAM POSITIONS



ATLANTIC VERSION
 Shown on sheets 1 of 4 & 2 of 4
 (Pacific version shown on sheets 3 of 4 & 4 of 4)

DIMENSIONS:		TOLERANCES UNLESS OTHERWISE SPECIFIED:		DWN S_ZOU 26AUG2011		TE Connectivity	
mm	0 PLC ±	1 PLC ±	2 PLC ±	3 PLC ±	4 PLC ±	Harrisburg, PA 17105-3608	
MATERIAL:		FINISH:		APVD S_XI 26AUG2011		NAME Ocean Side Feed Applicator	
				PRODUCT SPEC		RESTRICTED TO	
				APPLICATION SPEC		SIZE CAGE CODE DRAWING NO	
				WEIGHT		A11 00779 ©=2151089	
				CUSTOMER DRAWING		SCALE 1:2 SHEET 2 OF 4 REV D1	

PART NUMBER	REVISION	DESCRIPTION	FEED TYPE
2-2151089-1	D	FINE CRIMP HEIGHT ADJUST	MECHANICAL
2-2151089-2	D	FINE CRIMP HEIGHT ADJUST	PNEUMATIC
7-2151089-7	C	CRIMP TOOLING KIT	-

PACIFIC VERSION TERMINATOR
 INTERFACE ADAPTER



APPLICATOR DATA		
CRIMP	SIZE	TYPE
WIRE	3.05 mm [.120]	F
INSUL	4.57 mm [.180]	OV
APPLICATOR INSTRUCTIONS 408-35042		

TERMINAL DATA: TE TERMINAL		TE CRIMP SPECIFICATION	
TERMINAL NAME: FASTIN-FASTON CONNECTOR .312 FLAG REC. CONTACT.			
WIRE STRIP LENGTH		INSULATION DIAMETER RANGE	
6.40-7.20 mm [.252-.283 IN]		∅2.50-3.80 mm [.098-.150 IN]	
TERMINAL APPLICATION SPECIFICATION	114-3118		
TERMINALS APPLIED			
TE TERMINAL	TE TERMINAL	TE TERMINAL	TE TERMINAL
180453-1	180453-2	180453-4	180453-6
1-180453-2			

WIRE SIZE	CRIMP HEIGHT mm [INCH]	CRIMP HEIGHT REFERENCE SETTING
2.50mm2	1.90 +/- 0.05 [.075 +/- .002]	6.8
2.00mm2	1.75 +/- 0.05 [.069 +/- .002]	8.6
1.50mm2	1.62 +/- 0.05 [.064 +/- .002]	9.6
1.00mm2	1.47 +/- 0.05 [.058 +/- .002]	11.3



- 1 RECOMMENDED SPARE PARTS
- 2 REFER TO SUPPLIED INSTRUCTION SHEET FOR CLEANING, LUBRICATION AND STORAGE OF APPLICATOR.
- 3 APPLY PART NUMBER 2-23419-6 LOCTITE TO THREADS OF ITEM 242.
- 4 CRIMP HEIGHT REFERENCE SETTING WAS THE SETTING USED WHEN THE APPLICATOR WAS QUALIFIED AT THE FACTORY. ADJUSTMENT MAY BE NECESSARY WHEN RUNNING APPLICATOR IN THE FIELD.
- 5 GRIND TO LENGTH AT ASSEMBLY.
- 6. UNLESS SPECIFIED OTHERWISE TORQUE VALUES SHALL BE USED PER DOCUMENT, 101-35000.

***WARNING**
 ON INSTALLATION, SET WIRE DISC TO CRIMP HEIGHT REFERENCE SETTING FOR LARGEST WIRE SIZE. CRIMP HEIGHT REFERENCE SETTINGS GREATER THAN THE VALUE SHOWN MAY CAUSE DAMAGE TO THE CRIMP TOOLING, REFER TO THE INSTRUCTION SHEET FOR PROPER SETUP AND ADJUSTMENTS.

PACIFIC VERSION
 Shown on sheets 3 of 4 & 4 of 4
 (Atlantic version shown on sheets 1 of 4 & 2 of 4)

LOC	DIST	REVISIONS					
A	66	P	LTN	DESCRIPTION	DATE	OWN	APVD
		-		SEE SHEET 1			

-	1	-	2119640-1	PUSH ROD, AIR FEED			250
-	1	-	1803259-1	BUSHING, FLANGED			249
-	1	1	2119082-6	CAM, SNAIL, INSULATION ADJUSTMENT			244
-	1	1	2079764-1	WASHER, WAVE SPRING, CREST-TO-CREST			243
-	1	1	2119083-1	RETAINER, INSULATION DIAL			242
-	-	1	2119580-1	MECHANICAL FEED ASSEMBLY			239
-	1	-	2063440-1	AIR FEED MODULE			238
-	2	-	21045-3	RING, RETAIN, EXTERN, 3/16 CRESCENT			172
-	REF	REF	994970-2	COUNTER, MAGNETIC			164
-	1	-	240638-1	SPRING, FEED FINGER			163
-	1	-	2119641-2	FEED CAM, AIR FEED			151
-	1	1	2168083-8	SCR, SKT HD CAP, RoHS, M4 X 16			144
-	-	1	2119653-2	FEED CAM, POST FEED			142
-	1	1	1803583-2	APPLICATOR BASIC ASSEMBLY, SF			141
-	1	1	1803516-1	RAM ASSEMBLY, SF PACIFIC			140
-	1	-	3-23627-7	PIN, RETAIN, GRVD, 3/16 X .854			137
-	1	-	2119799-1	HOLDER, FEED FINGER, AF			136
-	1	1	2217068-1	BRACKET, AIR BLAST			130
-	457	457	2030758-3	TUBING, POLYURETHANE			129
-	1	1	5018030-2	NUT, HEX, REG, RoHS, M4			128
-	1	1	1-2168083-0	SCR, SKT HD CAP, RoHS, M4 X 10			127
-	1	1	986220-3	CLAMP, CABLE, BLACK			126
-	1	1	1-22281-8	SPRING, COMPRESSION			121
-	1	1	3-690487-8	GUIDE, FRONT STRIP			115
-	1	1	23238-1	INSERT, COUPLING			101
-	1	1	980371-4	SCR, SKT HD SHLDR 5.0 DIA X 6.0			100
-	1	1	2844908-1	SCREW, LOCKING			99
-	2	2	2168400-1	SHCS, LOW HEAD, RoHS, M4 X 12			98
-	1	1	2844907-1	POST, LOCKING			97
-	1	1	2168083-6	SCR, SKT HD CAP, RoHS, M5 X 65			93
-	2	2	2-18032-5	SCR, SET, FLT PNT, M5 X 20.0			91
-	2	2	1-2168083-3	SCR, SKT HD CAP, RoHS, M3 X 16			85
-	1	1	455888-5	SPACER, CRIMPER			82
-	1	1	1803607-1	DOCUMENTATION PACKAGE			71
-	1	1	2119740-1	TAG, IDENTIFICATION			67
-	2	2	2168078-1	SCREW, DRIVE, RH, RoHS, 2 x .188			66
-	1	1	5-18022-5	SCR, HEX HD CAP, M4 X 6.0			59
-	1	1	1338685-2	PAWL, FEED			56
-	2	2	1-18023-4	SCR, SKT HD CAP M4 X 20.0			53
-	1	1	1803011-4	HOLDER, SLUG BLADE			50
-	1	2	18023-9	SCR, SKT HD CAP M4 X 6.0			49
-	-	1	2119652-1	FEED CAM, PRE FEED			48
-	1	1	1803602-1	SCR, BHSC, RoHS (M8 X 25)			41
-	2	2	2079383-8	SCR, BHSC, RoHS (M4 X 16)			33
-	2	2	5-2844962-7	SPACER, CYLINDRICAL, STRIP GUIDE			30
-	1	1	1-2844938-9	PLATE, STRIP GUIDE			29
-	2	2	22282-1	SPRING, COMPRESSION			27
-	1	1	356835-1	LEVER, DRAG RELEASE			26
-	1	1	6-690754-4	DRAG, SPECIAL			25
-	1	1	7-690440-5	GUIDE, REAR STRIP			23
-	2	2	2168083-8	SCR, SKT HD CAP, RoHS, M4 X 16			21
-	4	4	1-18028-2	WASHER, FLAT, REG M4			20
-	1	1	2161830-1	COMBINATION STRIPPER			19
-	1	1	2-1583859-0	BLADE, SLUG			10
-	1	1	2-1803012-3	PLATE, REAR SHEAR			9
-	1	1	1803010-1	ANVIL, SPECIAL, COMBINATION			8
-	1	1	238009-3	BLOCK, FL CRIMPER SPACER			4
-	1	1	7-2119785-0	CRIMPER, INSULATION OVERLAP PREMIUM			3
-	1	1	3-455888-7	SPACER, CRIMPER			2
-	1	1	2-456409-9	CRIMPER, WIRE .120 "F" PREMIUM			1
-77	-22	-21	PART NO	DESCRIPTION			ITEM NO

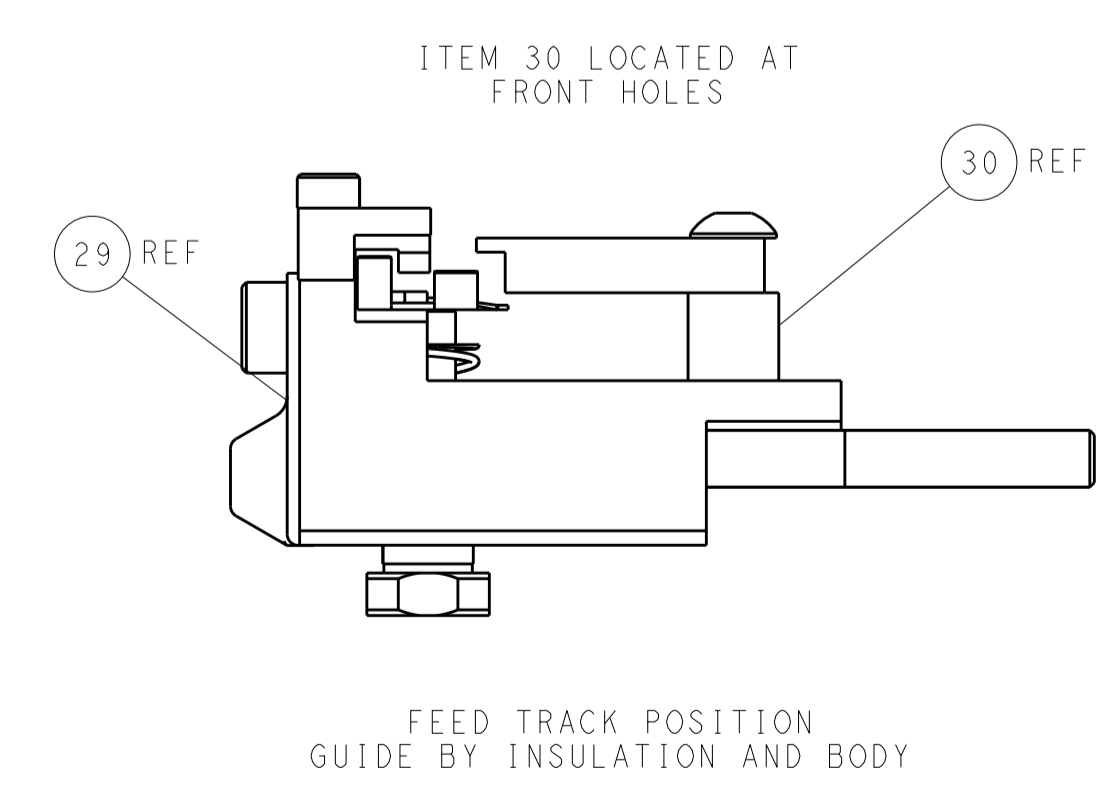
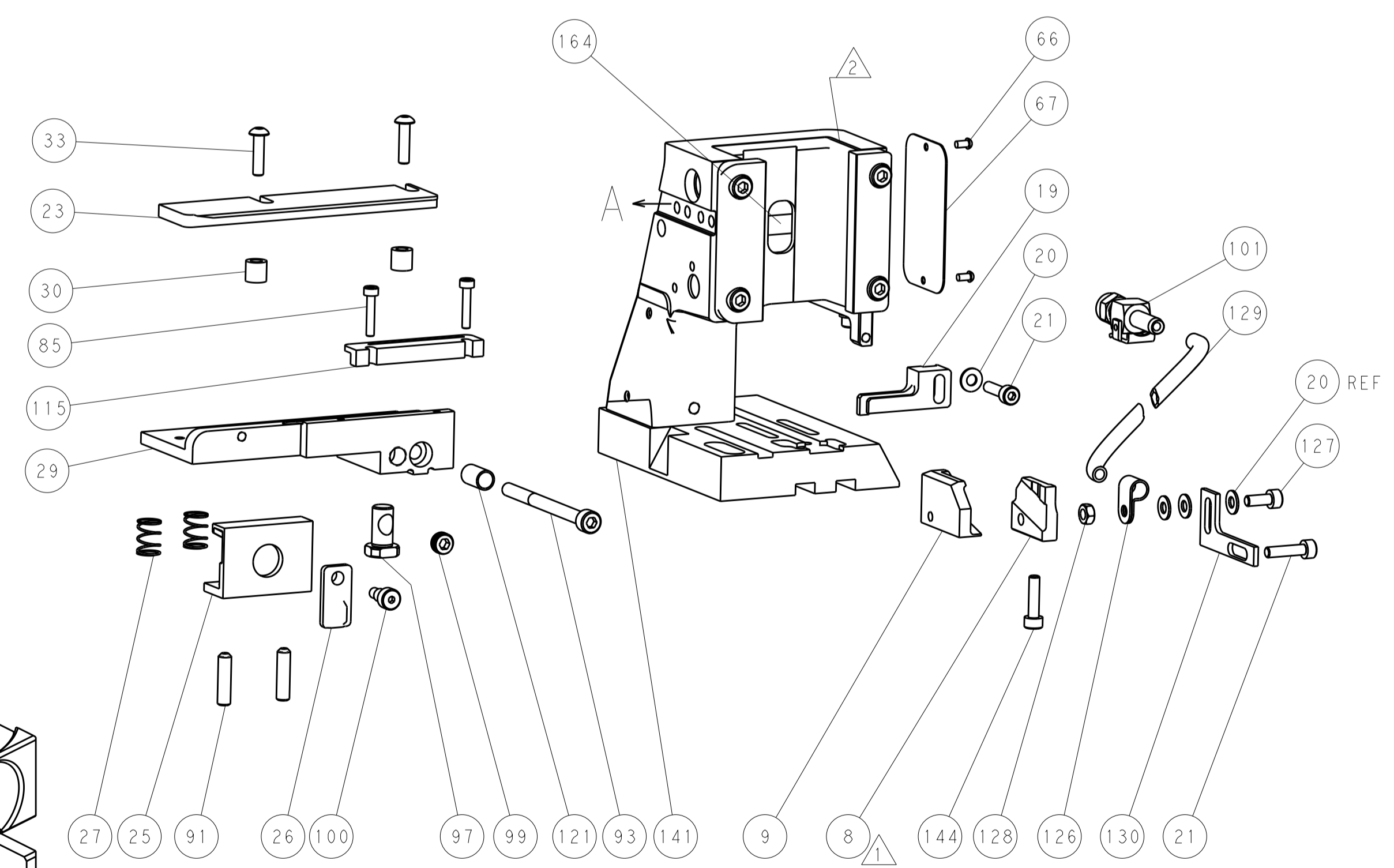
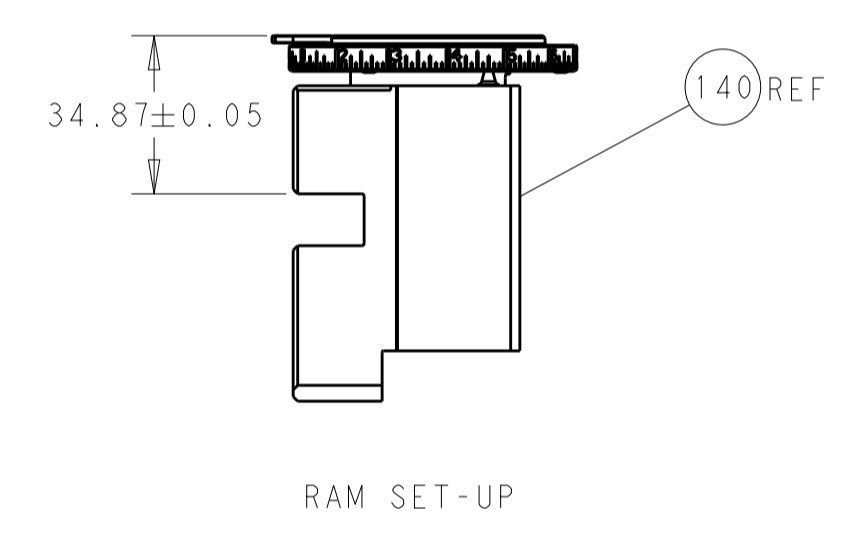
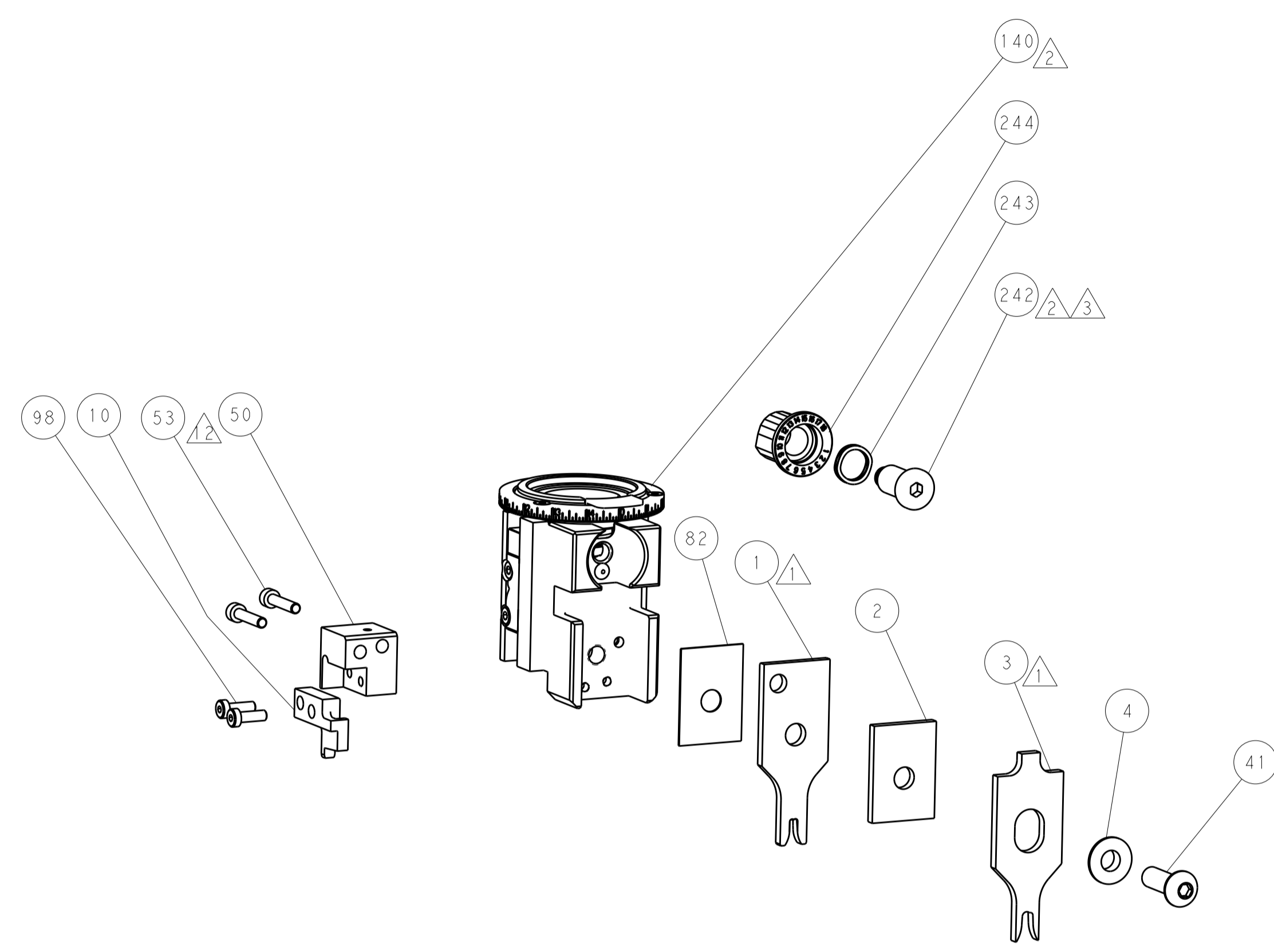
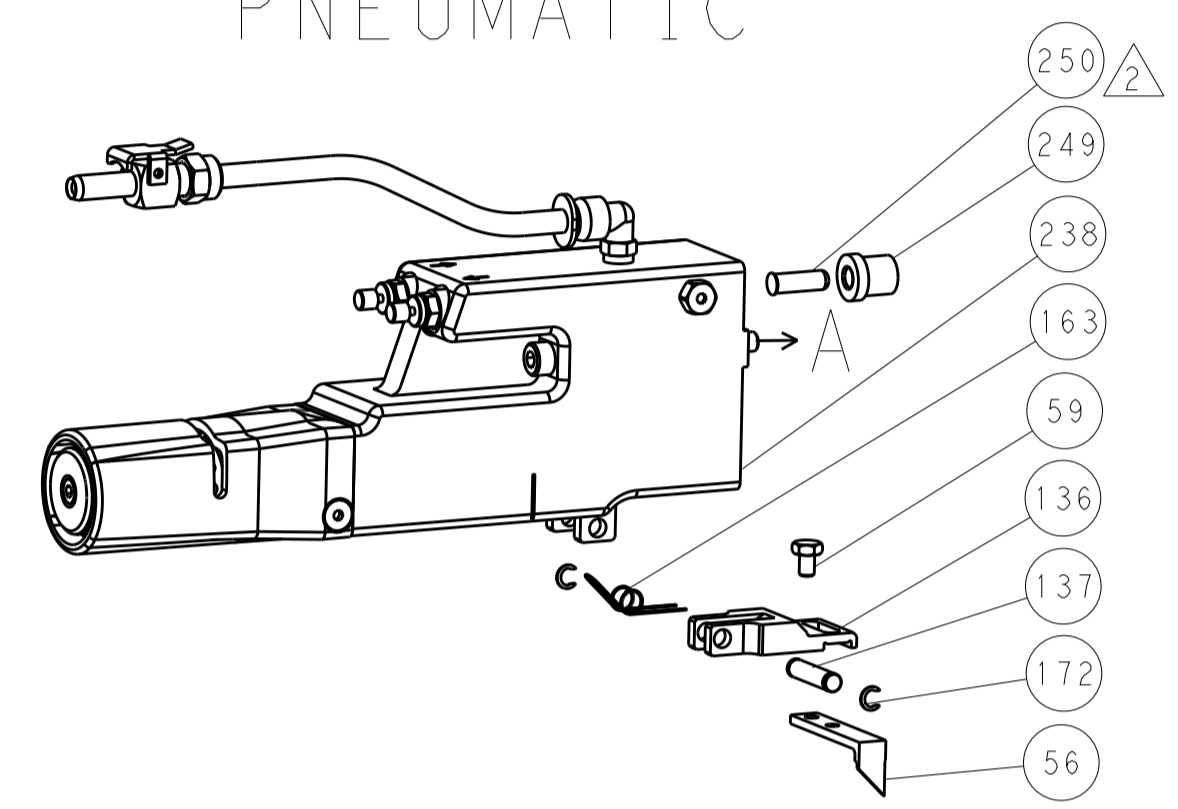
DIMENSIONS:		TOLERANCES UNLESS OTHERWISE SPECIFIED:		DWG: S_ZOU 26AUG2011		CHK: T_ELBIN 26AUG2011		APVD: S_XI 26AUG2011		NAME: Ocean Side Feed Applicator	
mm	0 PLC ±	1 PLC ±	2 PLC ±	3 PLC ±	4 PLC ±	ANGLES ±	FINISH	PRODUCT SPEC	APPLICATION SPEC	SIZE: A1	CAGE CODE: 00779
MATERIAL:								WEIGHT:		SCALE: 1:2	SHEET: 3 OF 4
CUSTOMER DRAWING										REV: 1	REV: 1

LOC	DIST	REVISIONS					
A	66	P	LTM	DESCRIPTION	DATE	OWN	APVD
		-	-	SEE SHEET 1	-	-	-

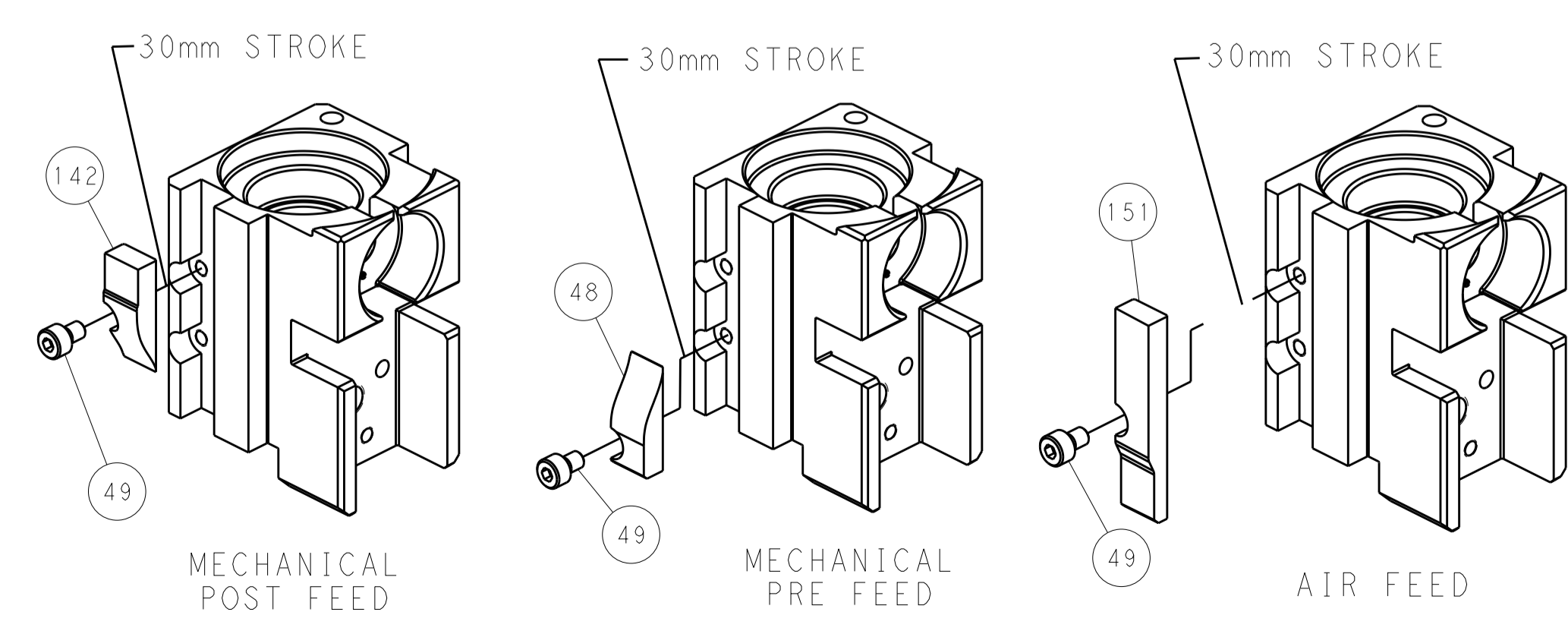
FEED TYPE MECHANICAL



PNEUMATIC



CAM POSITIONS



PACIFIC VERSION
 Shown on sheets 3 of 4 & 4 of 4
 (Atlantic version shown on sheets 1 of 4 & 2 of 4)

DIMENSIONS: mm 		TOLERANCES UNLESS OTHERWISE SPECIFIED: 0 PLC ± 1 PLC ± 2 PLC ± 3 PLC ± 4 PLC ± ANGLES ±		DWN: S_ZOU 26AUG2011 CHK: T_ELBIN 26AUG2011 APVD: S_XI 26AUG2011 PRODUCT SPEC APPLICATION SPEC WEIGHT CUSTOMER DRAWING		NAME: Ocean Side Feed Applicator SIZE: A1 CAGE CODE: 00779 DRAWING NO: 2151089 SCALE: 1:2 SHEET: 4 of 4 REV: 1		STE TE Connectivity Harrisburg, PA 17105-3608 RESTRICTED TO	
-----------------------	--	---	--	--	--	--	--	---	--

Mouser Electronics

Authorized Distributor

Click to View Pricing, Inventory, Delivery & Lifecycle Information:

[TE Connectivity:](#)

[2151089-1](#)