

PART NUMBER	REVISION	DESCRIPTION	FEED TYPE
2151080-1	M	FINE CRIMP HEIGHT ADJUST	MECHANICAL
2151080-2	M	FINE CRIMP HEIGHT ADJUST	PNEUMATIC
7-2151080-1	M	MECHANICAL AND CRIMP TOOLING KIT	MECHANICAL
7-2151080-2	M	PNEUMATIC AND CRIMP TOOLING KIT	PNEUMATIC
7-2151080-7	D	CRIMP TOOLING KIT	-

ATLANTIC VERSION TERMINATOR INTERFACE ADAPTER



APPLICATOR DATA		
CRIMP	SIZE	TYPE
WIRE	1.57 mm [.062]	F
INSUL	2.79 mm [.110]	F

APPLICATOR INSTRUCTIONS
408-35042

TERMINAL DATA: TE TERMINAL		TE CRIMP SPECIFICATION	
TERMINAL NAME: M SIZE DYNAMIC D-3 TAB CONTACT			
WIRE STRIP LENGTH	INSULATION DIAMETER RANGE		
3.80-4.80 [.150-.189 IN]	Ø1.20-2.60 mm [.047-.102 IN]		
TERMINAL APPLICATION SPECIFICATION	(A)114-5148		
TERMINALS APPLIED			
TE TERMINAL	TE TERMINAL	TE TERMINAL	TE TERMINAL
(A) 175285-2	(A) 175285-3	(A) 175285-5	(A) 175285-6
(A) 5-175285-2	(A) 5-175285-3	(A) 5-175285-5	(A) 175195-2
(A) 1-175195-2	(A) 175195-3	(A) 1-175195-3	(A) 1-175195-5
(A) 5-175195-2	(A) 6-175195-2	(A) 5-175195-3	(A) 6-175195-3
(A) 6-175195-5	(A) 175195-4	(A) 1-175195-4	(A) 2-175195-4
(A) 3-175195-4			

TERMINAL DATA: TE TERMINAL		TE CRIMP SPECIFICATION	
TERMINAL NAME: HD3 SERIES CRIMP-IN TYPE CONTACT, M			
WIRE STRIP LENGTH	INSULATION DIAMETER RANGE		
3.80-4.80 [.150-.189 IN]	Ø1.20-2.60 mm [.047-.102 IN]		
TERMINAL APPLICATION SPECIFICATION	114-78024		
TERMINALS APPLIED			
TE TERMINAL	TE TERMINAL	TE TERMINAL	TE TERMINAL
2316815-2	-	-	-

TERMINAL DATA: TE TERMINAL		TE CRIMP SPECIFICATION	
TERMINAL NAME: DYNAMIC D3000 SERIES FMLB CONTACTS, M			
WIRE STRIP LENGTH	INSULATION DIAMETER RANGE		
3.80-4.80 [.150-.189 IN]	Ø1.20-2.60 mm [.047-.102 IN]		
TERMINAL APPLICATION SPECIFICATION	114-78030		
TERMINALS APPLIED			
TE TERMINAL	TE TERMINAL	TE TERMINAL	TE TERMINAL
2298107-2	-	-	-

WIRE SIZE	CRIMP HEIGHT mm [INCH]	CRIMP HEIGHT REFERENCE SETTING
20 AWG OR 0.50mm ²	1.20+/-0.05 [.047+/-0.002]	5.4
22 AWG OR 0.30mm ²	1.11+/-0.05 [.044+/-0.002]	6.2
24 AWG OR 0.20mm ²	1.04+/-0.05 [.041+/-0.002]	7.0

- 1. RECOMMENDED SPARE PARTS
- 2. REFER TO SUPPLIED INSTRUCTION SHEET FOR CLEANING, LUBRICATION AND STORAGE OF APPLICATOR.
- 3. APPLY PART NUMBER 2-23419-6 LOCTITE TO THREADS OF ITEM 242.
- 4. CRIMP HEIGHT REFERENCE SETTING WAS THE SETTING USED WHEN THE APPLICATOR WAS QUALIFIED AT THE FACTORY. ADJUSTMENT MAY BE NECESSARY WHEN RUNNING APPLICATOR IN THE FIELD.
- 5. TERMINAL LUBRICANT IS RECOMMENDED.
- 6. UNLESS SPECIFIED OTHERWISE TORQUE VALUES SHALL BE USED PER DOCUMENT, 101-35000.

***WARNING**
ON INSTALLATION, SET WIRE DISC TO CRIMP HEIGHT REFERENCE SETTING FOR LARGEST WIRE SIZE. CRIMP HEIGHT REFERENCE SETTINGS GREATER THAN THE VALUE SHOWN MAY CAUSE DAMAGE TO THE CRIMP TOOLING. REFER TO THE INSTRUCTION SHEET FOR PROPER SETUP AND ADJUSTMENTS.

LOC	DIST	REVISIONS			
A	66	REV	DATE	BY	CHKD
		J	07AUG2017	KH	KZ
		K	14APR2018	TB	JDG
		L	08JUN2018	MZ	SJ
		M	10DEC2018	KH	LZ

-	1	-	1	-	2119640-1	PUSH ROD, AIR FEED	250
-	1	-	1	-	1803259-1	BUSHING, FLANGED	249
-	1	-	1	-	2119641-1	FEED CAM, AIR FEED	248
-	1	1	1	1	2119082-4	CAM, SNAIL, INSULATION ADJUSTMENT	244
-	1	1	1	1	2079764-1	WASHER, WAVE SPRING, CREST-TO-CREST	243
-	1	1	1	1	2119083-1	RETAINER, INSULATION DIAL	242
-	1	1	1	1	7-18023-7	SCR, SKT HD CAP M3 X 4.0	241
-	-	1	-	1	2119580-1	MECHANICAL FEED ASSEMBLY	239
-	1	-	1	-	2063440-1	AIR FEED MODULE	238
-	2	-	2	-	21045-3	RING, RETAIN, EXTERN, 3/16 CRESCENT	172
-	REF	REF	REF	REF	994970-2	COUNTER, MAGNETIC	164
-	1	-	1	-	240638-1	SPRING, FEED FINGER	163
-	1	-	1	-	3-23627-7	PIN, RETAIN, GRVD, 3/16 X .854	137
-	1	-	1	-	2119799-1	HOLDER, FEED FINGER, AF	136
-	1	1	1	1	1-18028-2	WASHER, FLAT, REG M4	119
-	1	1	1	1	2119955-1	ASSY, LUBRICATOR, SIDE FEED	113
-	1	1	1	1	2844908-1	SCREW, LOCKING	99
-	1	1	1	1	2844907-1	POST, LOCKING	98
-	1	1	1	1	455888-5	SPACER, CRIMPER	82
-	1	1	1	1	1803607-1	DOCUMENTATION PACKAGE	71
-	1	1	1	1	2119791-5	DEPRESSOR, WIRE	70
-	1	1	1	1	2119740-1	TAG, IDENTIFICATION	67
-	2	2	2	2	2168078-1	SCREW, DRIVE, RH, RoHS, 2 x .188	66
-	1	1	1	1	2168083-2	SCR, SKT HD CAP, RoHS, M4 X 8.0	60
-	1	1	1	1	5-18022-5	SCR, HEX HD CAP, M4 X 6.0	59
-	1	1	1	1	1338685-1	PAWL, FEED	56
-	4	4	4	4	2168083-3	SCR, SKT HD CAP, RoHS, M4 X 12.0	54
-	2	2	2	2	2168083-3	SCR, SKT HD CAP, RoHS, M4 X 12.0	53
-	1	1	1	1	5018030-1	NUT, HEX, REG, RoHS, M3	52
-	1	1	1	1	811242-5	BUMPER, HOLD DOWN	51
-	1	1	1	1	690753-2	SPACER, TONKER	50
-	1	2	1	2	18023-9	SCR, SKT HD CAP M4 X 6.0	49
-	-	1	-	1	2119652-1	FEED CAM, PRE FEED	48
-	-	1	-	1	2119653-1	FEED CAM, POST FEED	47
-	1	1	1	1	1803583-9	APPLICATOR BASIC ASSEMBLY, SF	46
-	1	1	1	1	1803515-1	RAM ASSEMBLY, SF ATLANTIC	44
-	1	1	1	1	1803602-1	SCR, BHSC, RoHS (M8 X 25)	41
-	1	1	1	1	1752356-6	SUPPORT, TERMINAL	34
-	2	2	2	2	2079383-5	SCR, BHSC, RoHS (M4 X 20)	33
-	2	2	2	2	2-2844962-6	SPACER, CYLINDRICAL, STRIP GUIDE	30
-	1	1	1	1	2844992-1	ASSEMBLY, STRIP GUIDE	29
-	1	1	1	1	1320928-6	STRIP GUIDE	24
-	1	1	1	1	2168083-2	SCR, SKT HD CAP, RoHS, M4 X 8.0	21
-	1	1	1	1	1-18028-2	WASHER, FLAT, REG M4	20
-	1	1	1	1	2119533-3	STRIPPER, SIDE FEED	19
-	1	1	1	1	2119806-1	INSERT, SHEAR	13
-	1	1	1	1	3-22280-3	SPRING, COMPRESSION	12
-	1	1	1	1	1-356885-4	STOP, SHEAR	11
-	1	1	1	1	2119805-1	SHEAR HOLDER, FRONT	10
-	1	1	1	1	1803095-1	FLOATING SHEAR, FRONT	9
-	1	2	1	1	4-1333202-1	ANVIL, COMBINATION	8
-	1	1	1	1	2119757-8	DEPRESSOR, SHEAR	5
-	1	1	1	1	3-238011-3	BLOCK, CRIMPER SPACER	4
-	1	2	2	1	9-2119582-5	CRIMPER, INSULATION F PREMIUM	3
-	1	1	1	1	455888-4	SPACER, CRIMPER	2
-	1	2	2	1	3-456403-4	CRIMPER, WIRE PREMIUM	1

DIMENSIONS:		TOLERANCES UNLESS OTHERWISE SPECIFIED:		MATERIAL:		FINISH:	
mm	0 PLC ±	1 PLC ±	2 PLC ±	3 PLC ±	4 PLC ±	ANGLES ±	FINISH ±

OWN	J.C. CHEN	28FEB2011
CHK	S.XI	28FEB2011
APVD	J. CRUZ	28FEB2011
PRODUCT SPEC		
APPLICATION SPEC		
WEIGHT		
Customer Accessible Production Drawing	SCALE 1:2	SHEET 1 OF 4

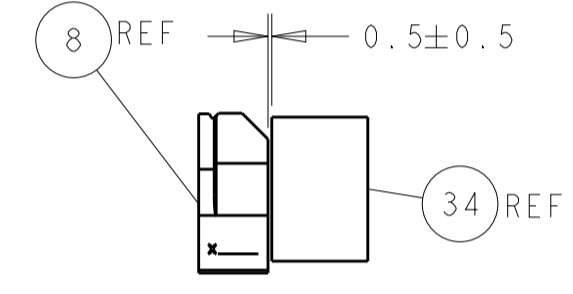
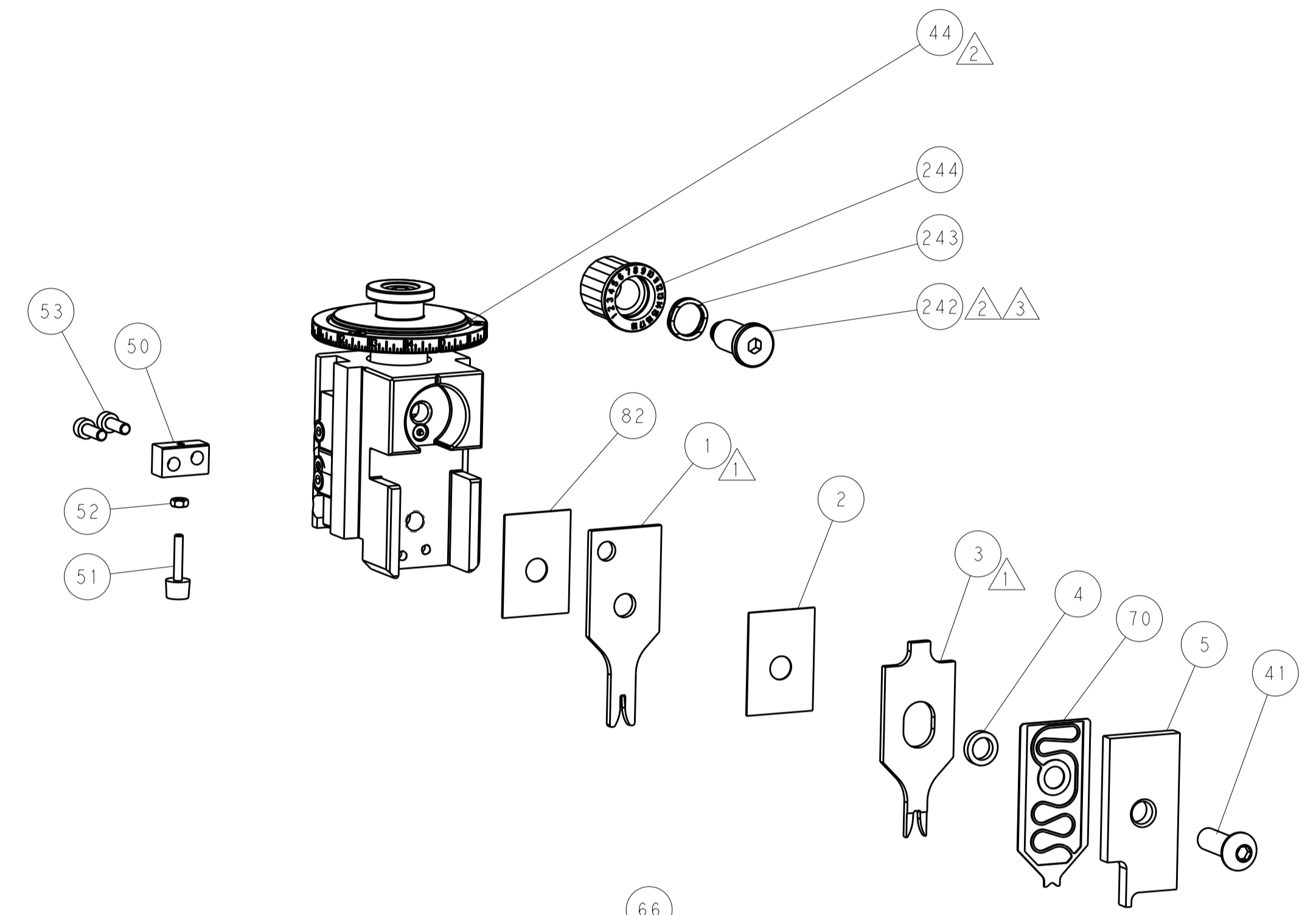
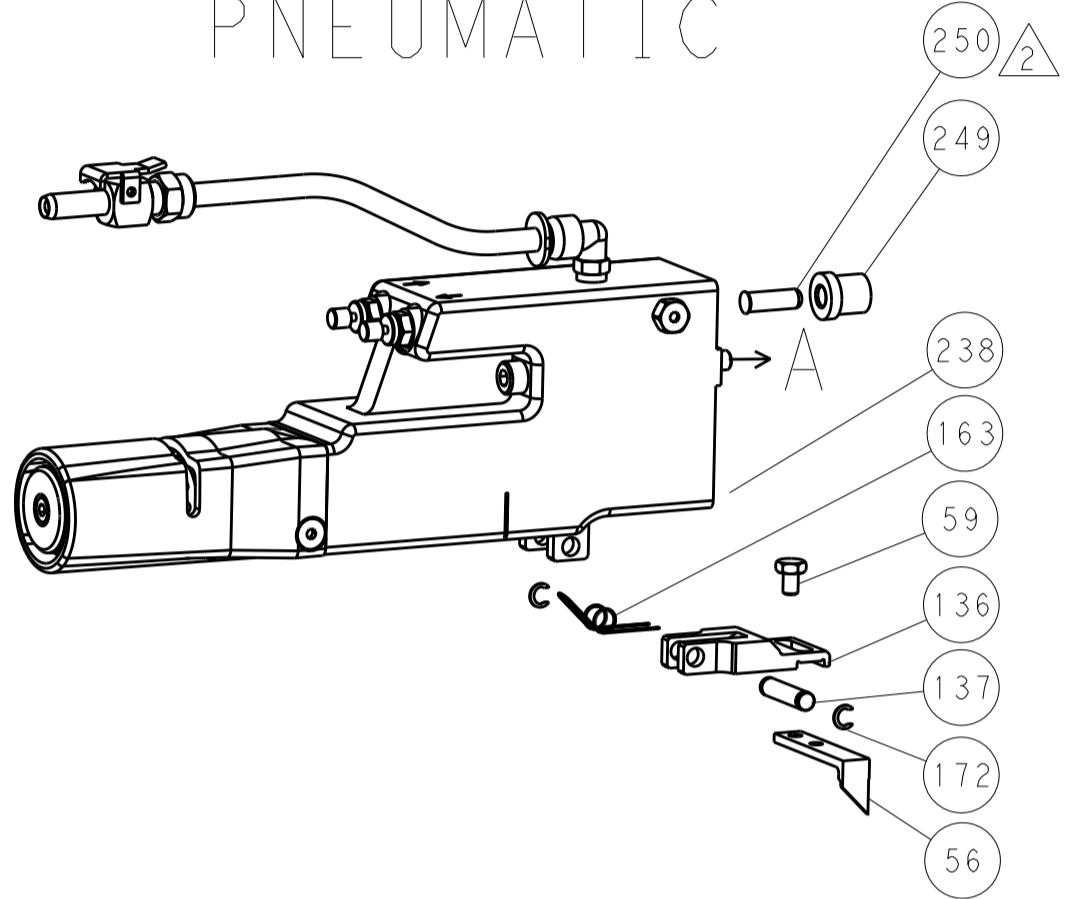
ATLANTIC VERSION
Shown on sheets 1 of 4 & 2 of 4
(Pacific version shown on sheets 3 of 4 & 4 of 4)

LOC		DIST		REVISIONS			
NO.	REV.	DATE	BY	DESCRIPTION	DATE	BY	APPROV.
A	66			SEE SHEET 1			

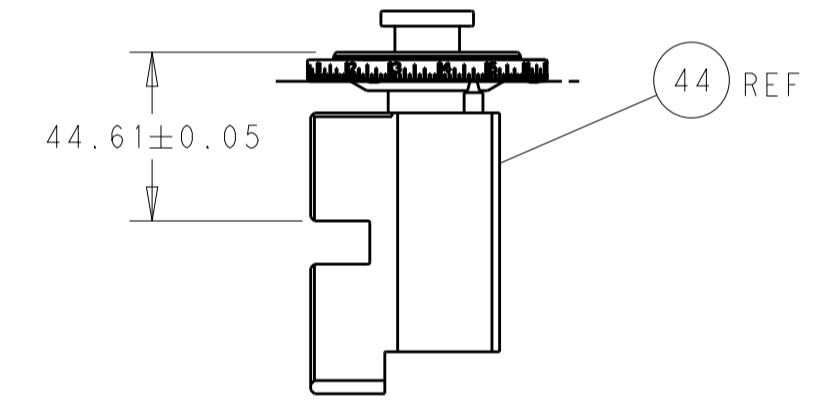
FEED TYPE MECHANICAL



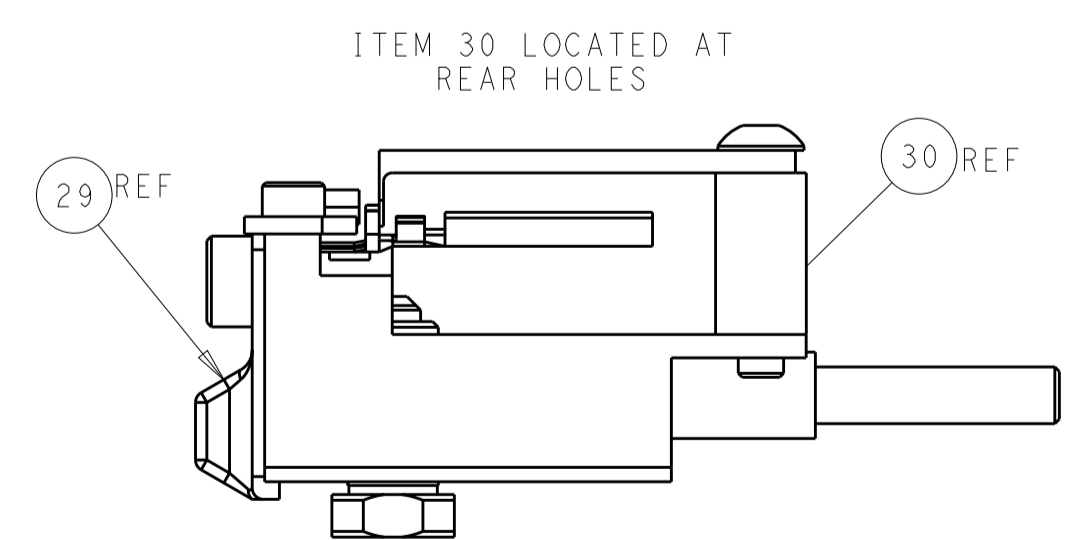
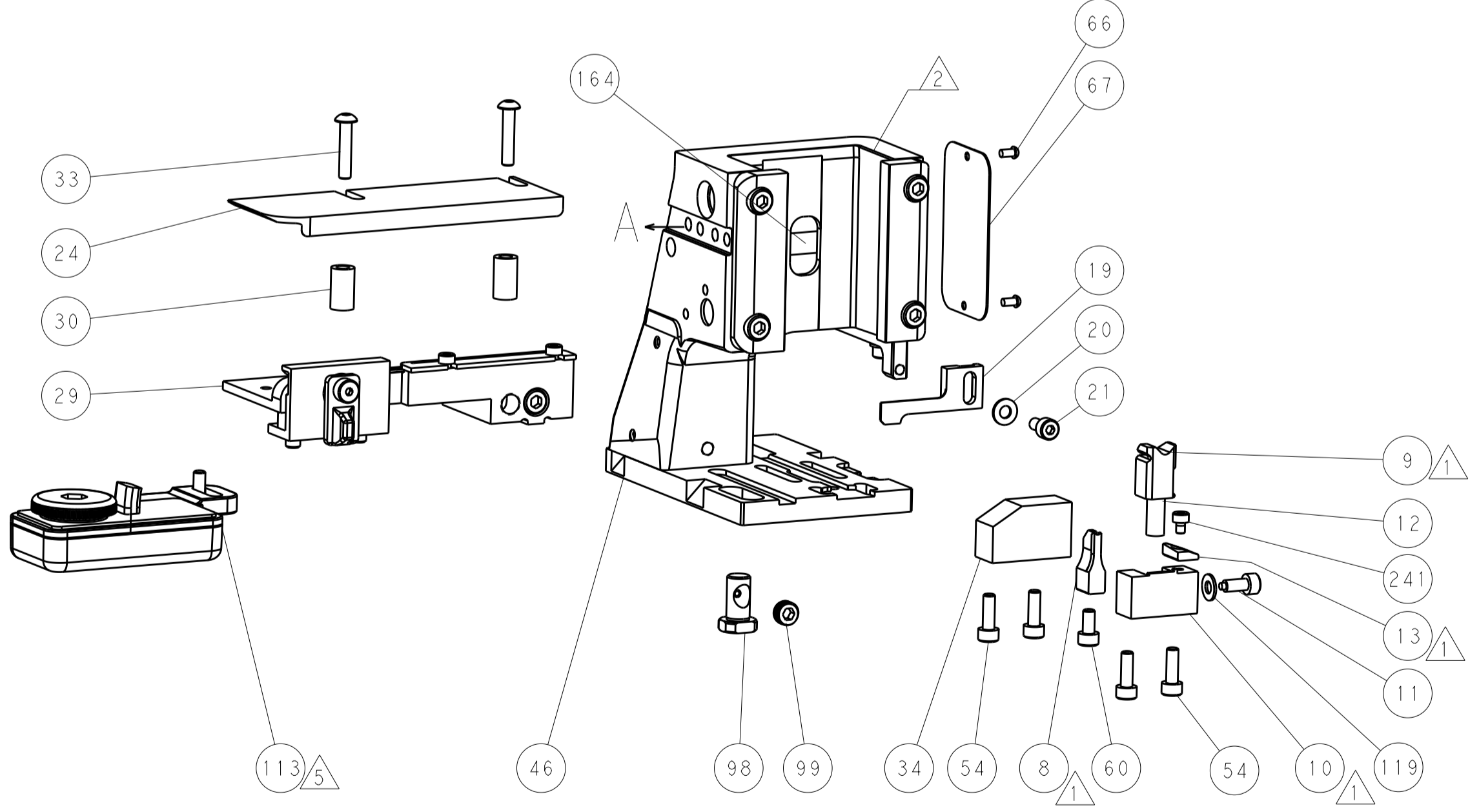
PNEUMATIC



TERMINAL SUPPORT LOCATION

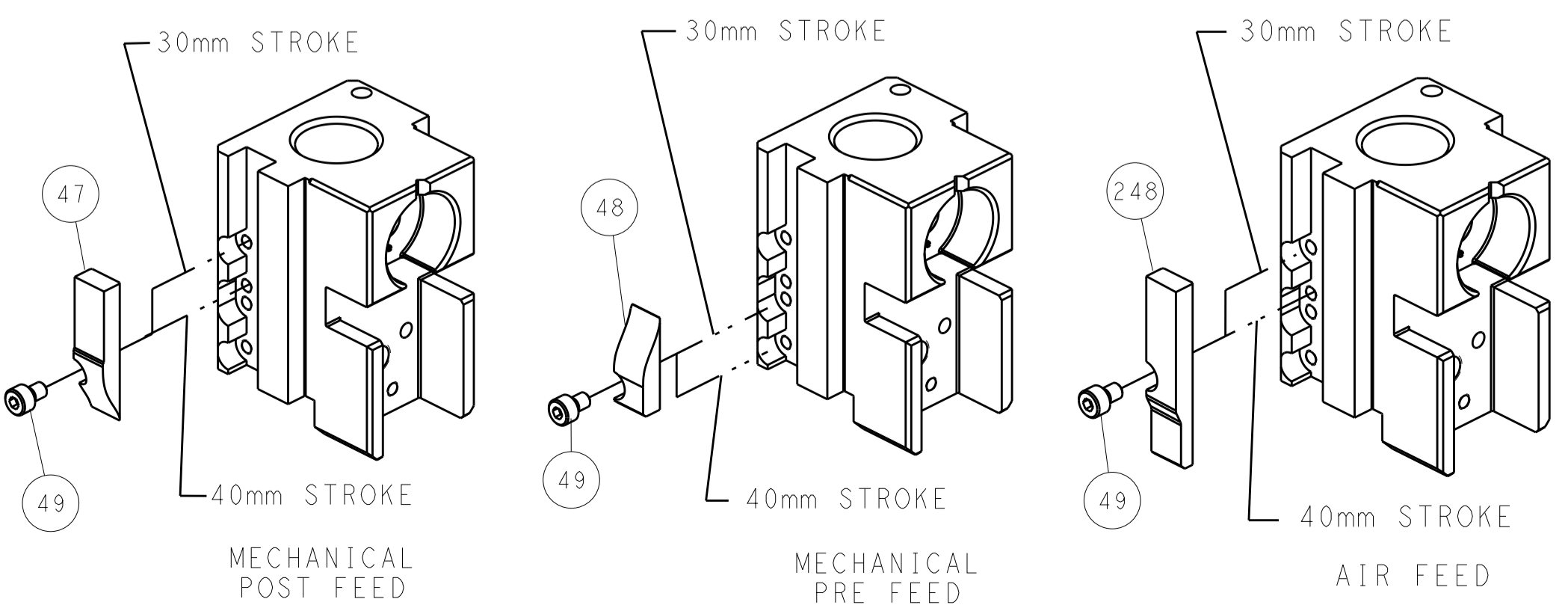


RAM SET-UP



FEED TRACK POSITION GUIDE BY INSULATION BARREL

CAM POSITIONS



ATLANTIC VERSION
 Shown on sheets 1 of 4 & 2 of 4
 (Pacific version shown on sheets 3 of 4 & 4 of 4)

DIMENSIONS:		TOLERANCES UNLESS OTHERWISE SPECIFIED:		DWN: C. CHEN 28FEB2011		TE Connectivity	
mm	0 PLC	±		CHK: S. XI 28FEB2011	NAME: Ocean Side Feed Applicator		Harrisburg, PA 17105-3608
	1 PLC	±		APVD: J. CRUZ 28FEB2011	SIZE: A1		CAGE CODE: 00779
	2 PLC	±		PRODUCT SPEC:	DRAWING NO: 2151080		RESTRICTED TO:
	3 PLC	±		APPLICATION SPEC:	SCALE: 1:2		SHEET 2 OF 4
	4 PLC	±		WEIGHT:	REV: M		
MATERIAL:	FINISH:			Customer Accessible Production Drawing			

PART NUMBER	REVISION	DESCRIPTION	FEED TYPE
2-2151080-1	M	FINE CRIMP HEIGHT ADJUST	MECHANICAL
2-2151080-2	M	FINE CRIMP HEIGHT ADJUST	PNEUMATIC
7-2151080-7	D	CRIMP TOOLING KIT	-

PACIFIC VERSION TERMINATOR
 INTERFACE ADAPTER



APPLICATOR DATA		
CRIMP	SIZE	TYPE
WIRE	1.57 mm [.062]	F
INSUL	2.79 mm [.110]	F

APPLICATOR INSTRUCTIONS
 408-35042

TERMINAL DATA: TE TERMINAL		TE CRIMP SPECIFICATION	
TERMINAL NAME: M SIZE DYNAMIC D-3 TAB CONTACT			
WIRE STRIP LENGTH		INSULATION DIAMETER RANGE	
3.80-4.80 [.150-.189 IN]		Ø1.20-2.60 mm [.047-.102 IN]	
TERMINAL APPLICATION SPECIFICATION	(A)114-5148	-	-
TERMINALS APPLIED ⁵			
TE TERMINAL	TE TERMINAL	TE TERMINAL	TE TERMINAL
(A) 175285-2	(A) 175285-3	(A) 175285-5	(A) 175285-6
(A) 5-175285-2	(A) 5-175285-3	(A) 5-175285-5	(A) 175195-2
(A) 1-175195-2	(A) 175195-3	(A) 1-175195-3	(A) 1-175195-5
(A) 5-175195-2	(A) 6-175195-2	(A) 5-175195-3	(A) 6-175195-3
(A) 6-175195-5	(A) 175195-4	(A) 1-175195-4	(A) 2-175195-4
(A) 3-175195-4			

TERMINAL DATA: TE TERMINAL		TE CRIMP SPECIFICATION	
TERMINAL NAME: HD3 SERIES CRIMP-IN TYPE CONTACT, M			
WIRE STRIP LENGTH		INSULATION DIAMETER RANGE	
3.80-4.80 [.150-.189 IN]		Ø1.20-2.60 mm [.047-.102 IN]	
TERMINAL APPLICATION SPECIFICATION	114-78024	-	-
TERMINALS APPLIED ⁵			
TE TERMINAL	TE TERMINAL	TE TERMINAL	TE TERMINAL
2316815-2	-	-	-

TERMINAL DATA: TE TERMINAL		TE CRIMP SPECIFICATION	
TERMINAL NAME: DYNAMIC D3000 SERIES FMLB CONTACTS, M			
WIRE STRIP LENGTH		INSULATION DIAMETER RANGE	
3.80-4.80 [.150-.189 IN]		Ø1.20-2.60 mm [.047-.102 IN]	
TERMINAL APPLICATION SPECIFICATION	114-78030	-	-
TERMINALS APPLIED ⁵			
TE TERMINAL	TE TERMINAL	TE TERMINAL	TE TERMINAL
2298107-2	-	-	-

WIRE SIZE	CRIMP HEIGHT mm [INCH]	CRIMP HEIGHT REFERENCE SETTING
20 AWG OR 0.50mm ²	1.20+/-0.05 [.047+/-0.002]	5.4
22 AWG OR 0.30mm ²	1.11+/-0.05 [.044+/-0.002]	6.2
24 AWG OR 0.20mm ²	1.04+/-0.05 [.041+/-0.002]	7.0



- ¹ RECOMMENDED SPARE PARTS
 - ² REFER TO SUPPLIED INSTRUCTION SHEET FOR CLEANING, LUBRICATION AND STORAGE OF APPLICATOR.
 - ³ APPLY PART NUMBER 2-23419-6 LOCTITE TO THREADS OF ITEM 242.
 - ⁴ CRIMP HEIGHT REFERENCE SETTING WAS THE SETTING USED WHEN THE APPLICATOR WAS QUALIFIED AT THE FACTORY. ADJUSTMENT MAY BE NECESSARY WHEN RUNNING APPLICATOR IN THE FIELD.
 - ⁵ TERMINAL LUBRICANT IS RECOMMENDED.
6. UNLESS SPECIFIED OTHERWISE TORQUE VALUES SHALL BE USED PER DOCUMENT, 101-35000.

***WARNING**
 ON INSTALLATION, SET WIRE DISC TO CRIMP HEIGHT REFERENCE SETTING FOR LARGEST WIRE SIZE. CRIMP HEIGHT REFERENCE SETTINGS GREATER THAN THE VALUE SHOWN MAY CAUSE DAMAGE TO THE CRIMP TOOLING. REFER TO THE INSTRUCTION SHEET FOR PROPER SETUP AND ADJUSTMENTS.

LOC	DIST	REV	DATE	BY	APPV
A	66	-	-	-	-

REV	DATE	BY	APPV	DESCRIPTION	ITEM NO	
-	1	-	-	2119640-1	PUSH ROD, AIR FEED	250
-	1	-	-	1803259-1	BUSHING, FLANGED	249
-	1	1	-	2119082-4	CAM, SNAIL, INSULATION ADJUSTMENT	244
-	1	1	-	2079764-1	WASHER, WAVE SPRING, CREST-TO-CREST	243
³	-	1	1	2119083-1	RETAINER, INSULATION DIAL	242
-	1	1	-	7-18023-7	SCR, SKT HD CAP M3 X 4.0	241
-	-	1	-	2119580-1	MECHANICAL FEED ASSEMBLY	239
-	1	-	-	2063440-1	AIR FEED MODULE	238
-	2	-	-	21045-3	RING, RETAIN, EXTERN, 3/16 CRESCENT	172
-	REF	REF	-	994970-2	COUNTER, MAGNETIC	164
-	1	-	-	240638-1	SPRING, FEED FINGER	163
-	1	-	-	2119641-2	FEED CAM, AIR FEED	151
-	1	1	-	2168083-8	SCR, SKT HD CAP, RoHS, M4 X 16	144
-	4	4	-	2168083-9	SCR, SKT HD CAP, RoHS, M4 X 20	143
-	-	1	-	2119653-2	FEED CAM, POST FEED	142
-	1	1	-	1-1803583-0	APPLICATOR BASIC ASSEMBLY, SF	141
-	1	1	-	1803516-1	RAM ASSEMBLY, SF PACIFIC	140
-	1	-	-	3-23627-7	PIN, RETAIN, GRVD, 3/16 X .854	137
-	1	-	-	2119799-1	HOLDER, FEED FINGER, AF	136
⁵	-	1	1	1-18028-2	WASHER, FLAT, REG M4	119
-	1	1	-	2119955-1	ASSY, LUBRICATOR, SIDE FEED	113
-	1	1	-	2844908-1	SCREW, LOCKING	99
-	1	1	-	2844907-1	POST, LOCKING	98
-	1	1	-	455888-5	SPACER, CRIMPER	82
-	1	1	-	1803607-1	DOCUMENTATION PACKAGE	71
-	1	1	-	2119791-5	DEPRESSOR, WIRE	70
-	1	1	-	2119740-1	TAG, IDENTIFICATION	67
-	2	2	-	2168078-1	SCREW, DRIVE, RH, RoHS, 2 x .188	66
-	1	1	-	5-18022-5	SCR, HEX HD CAP, M4 X 6.0	59
-	1	1	-	1338685-1	PAWL, FEED	56
-	2	2	-	2168083-3	SCR, SKT HD CAP, RoHS, M4 X 12.0	53
-	1	1	-	5018030-1	NUT, HEX, REG, RoHS, M3	52
-	1	1	-	811242-5	BUMPER, HOLD DOWN	51
-	1	1	-	690753-2	SPACER, TONKER	50
-	1	2	-	18023-9	SCR, SKT HD CAP M4 X 6.0	49
-	-	1	-	2119652-1	FEED CAM, PRE FEED	48
-	1	1	-	1803602-1	SCR, BHSC, RoHS (M8 X 25)	41
-	1	1	-	1752356-6	SUPPORT, TERMINAL	34
-	2	2	-	2079383-5	SCR, BHSC, RoHS (M4 X 20)	33
-	2	2	-	2-2844962-6	SPACER, CYLINDRICAL, STRIP GUIDE	30
-	1	1	-	2844992-1	ASSEMBLY, STRIP GUIDE	29
-	1	1	-	1320928-6	STRIP GUIDE	24
-	1	1	-	2168083-2	SCR, SKT HD CAP, RoHS, M4 X 8.0	21
-	1	1	-	1-18028-2	WASHER, FLAT, REG M4	20
-	1	1	-	2119533-3	STRIPPER, SIDE FEED	19
¹	-	1	1	2119806-1	INSERT, SHEAR	13
-	1	1	-	3-22280-3	SPRING, COMPRESSION	12
-	1	1	-	1-356885-4	STOP, SHEAR	11
¹	-	1	1	2119805-1	SHEAR HOLDER, FRONT	10
¹	-	1	1	1803095-1	FLOATING SHEAR, FRONT	9
¹	1	1	1	4-1333202-1	ANVIL, COMBINATION	8
-	1	1	-	2119757-8	DEPRESSOR, SHEAR	5
-	1	1	-	3-238011-3	BLOCK, CRIMPER SPACER	4
¹	1	1	1	9-2119582-5	CRIMPER, INSULATION F PREMIUM	3
-	1	1	-	455888-4	SPACER, CRIMPER	2
¹	1	1	1	3-456403-4	CRIMPER, WIRE PREMIUM	1

PACIFIC VERSION
 Shown on sheets 3 of 4 & 4 of 4
 (Atlantic version shown on sheets 1 of 4 & 2 of 4)

DIMENSIONS: mm		TOLERANCES UNLESS OTHERWISE SPECIFIED:		DRAWING NO: 00779	
0 PLC	±	0.13	±	SCALE	1:2
1 PLC	±	0.25	±	SHEET	3 OF 4
2 PLC	±	0.38	±	REV	M
3 PLC	±	0.51	±	Customer Accessible Production Drawing	
4 PLC	±	0.64	±	Customer Accessible Production Drawing	
ANGLES	±	0.76	±	Customer Accessible Production Drawing	
FINISH	±	0.89	±	Customer Accessible Production Drawing	

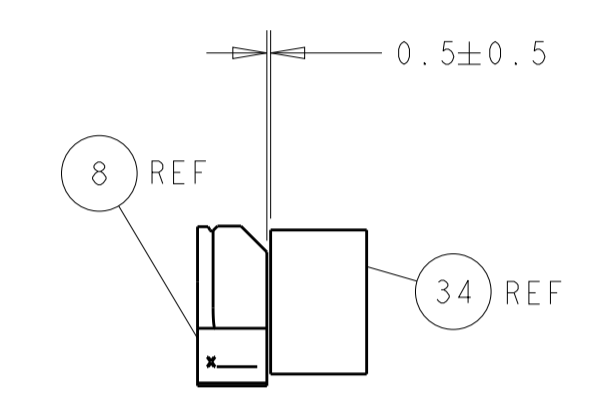
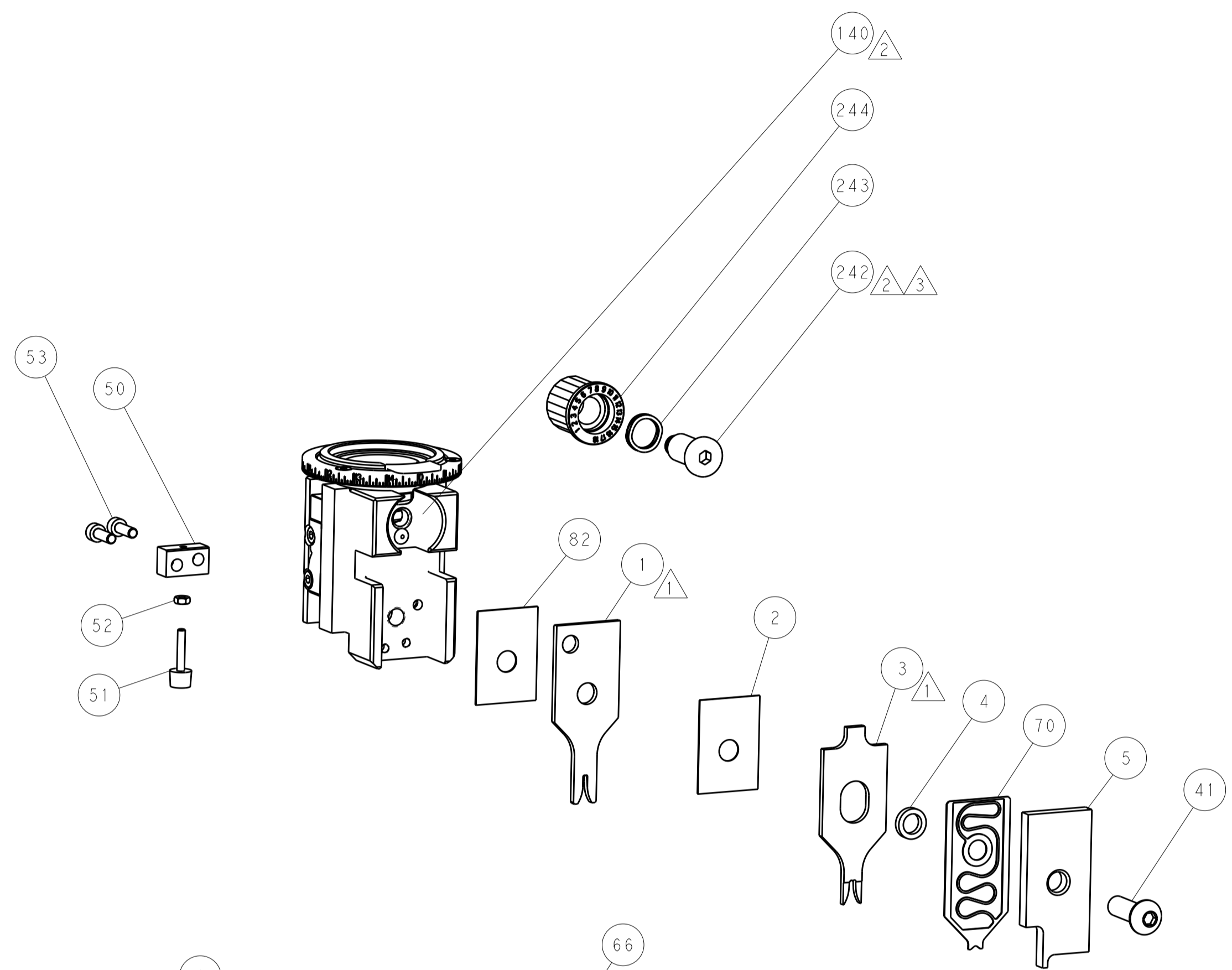
DWN: C. CHEN 28FEB2011
 CHK: S. XI 28FEB2011
 APPV: J. CRUZ 28FEB2011
 NAME: Ocean Side Feed Applicator
 SIZE: A1
 CAGE CODE: 00779
 DRAWING NO: 2151080
 SCALE: 1:2 SHEET 3 OF 4 REV M
 SHEETS 1 & 2 ARE NOT REQUIRED FOR PACIFIC VERSION

LOC		DIST		REVISIONS			
A	66	P	LTM	DESCRIPTION	DATE	OWN	APVD
		-		SEE SHEET 1			

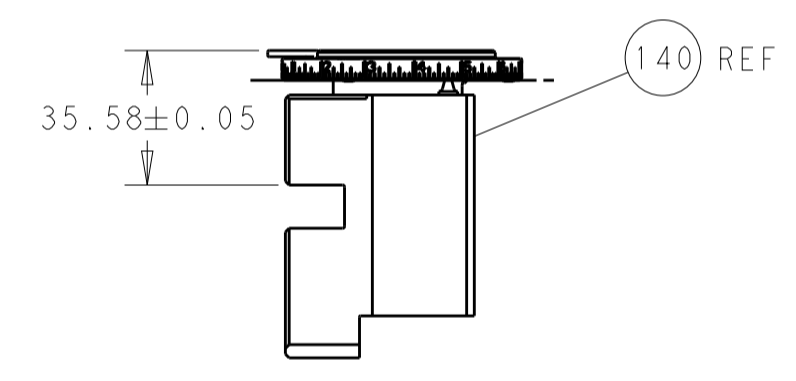
FEED TYPE MECHANICAL



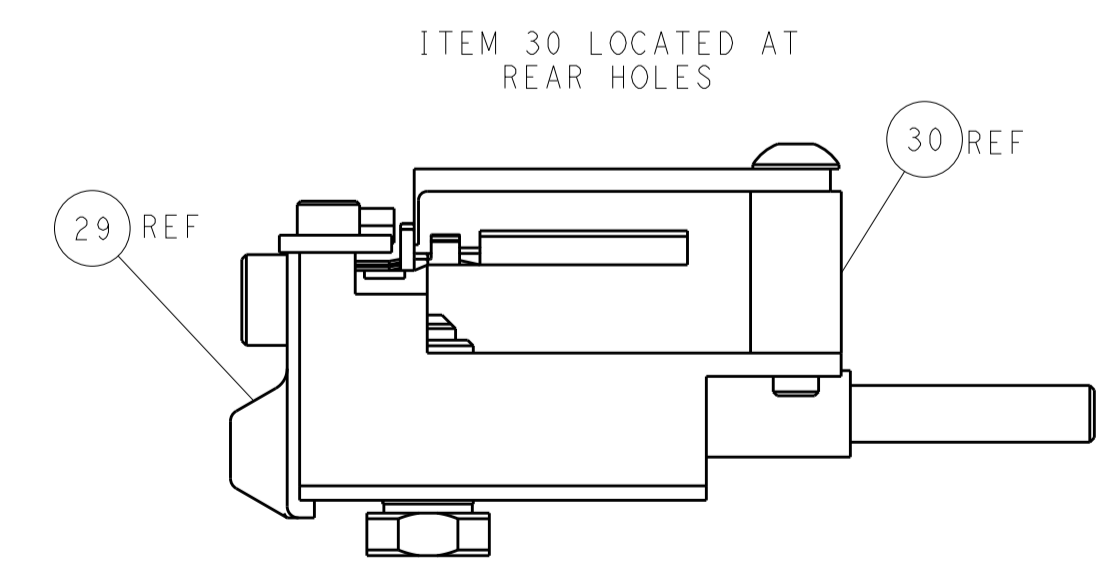
PNEUMATIC



TERMINAL SUPPORT LOCATION

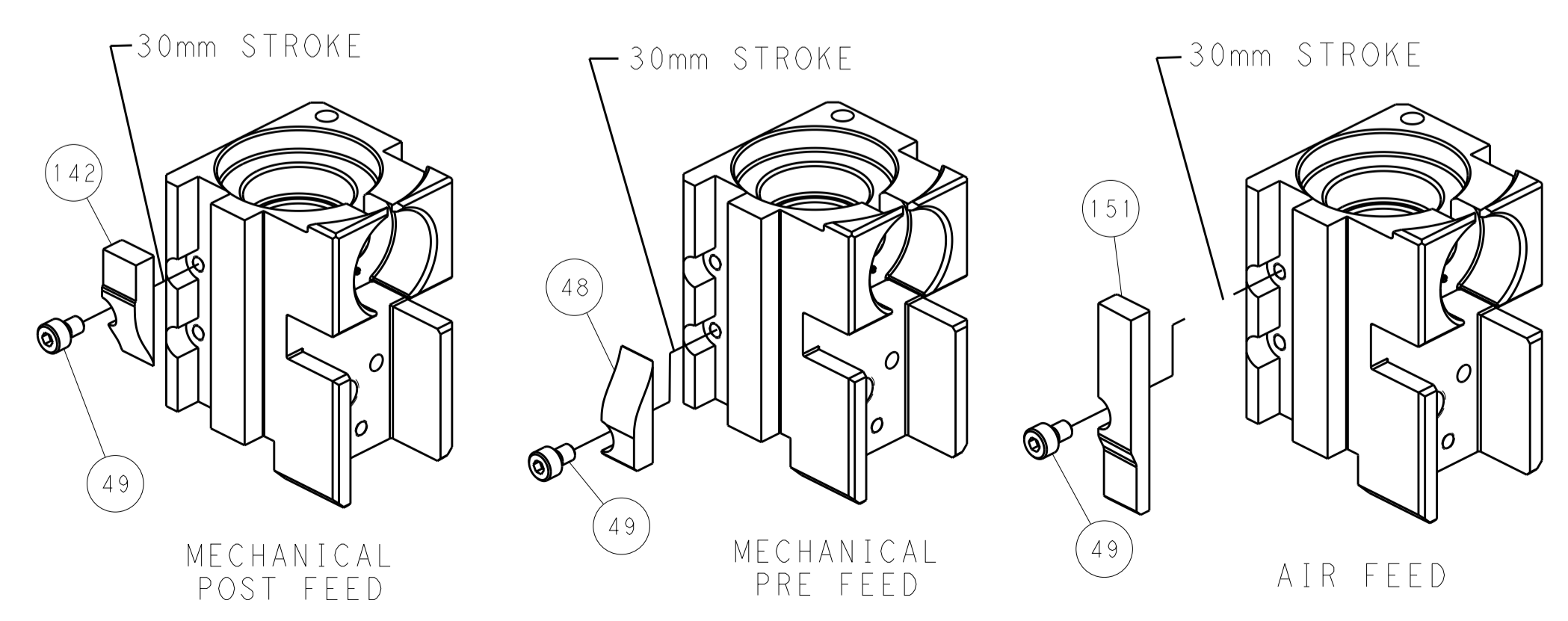


RAM SET-UP



FEED TRACK POSITION GUIDE BY INSULATION BARREL

CAM POSITIONS



MECHANICAL POST FEED

MECHANICAL PRE FEED

AIR FEED

PACIFIC VERSION
 Shown on sheets 3 of 4 & 4 of 4
 (Atlantic version shown on sheets 1 of 4 & 2 of 4)

DIMENSIONS:		TOLERANCES UNLESS OTHERWISE SPECIFIED:		OWN: C. CHEN 28FEB2011		TE Connectivity	
mm		0 PLC ±		CHK: S. XI 28FEB2011		Harrisburg, PA 17105-3608	
HOLE		1 PLC ±		APVD: J. CRUZ 28FEB2011		NAME: Ocean Side Feed Applicator	
MATERIAL:		2 PLC ±		PRODUCT SPEC:		SIZE: CAGE CODE DRAWING NO. RESTRICTED TO	
FINISH:		3 PLC ±		APPLICATION SPEC:		A1 00779 C=2151080	
		4 PLC ±		WEIGHT:		Customer Accessible Production Drawing SCALE: 1:2 SHEET 4 OF 4 REV M	
		ANGLES					

Mouser Electronics

Authorized Distributor

Click to View Pricing, Inventory, Delivery & Lifecycle Information:

[TE Connectivity:](#)

[2-2151080-1](#)