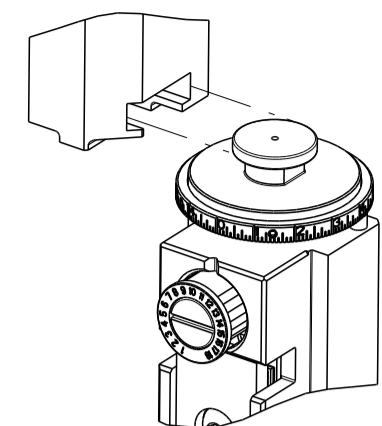


PART NUMBER	REVISION	DESCRIPTION	FEED TYPE
2150522-2	C	FINE CRIMP HEIGHT ADJUST	PNEUMATIC
7-2150522-2	C	PNEUMATIC AND CRIMP TOOLING KIT	PNEUMATIC
7-2150522-7	A	CRIMP TOOLING KIT	-

ATLANTIC VERSION TERMINATOR INTERFACE ADAPTER



APPLICATOR DATA		
CRIMP	SIZE	TYPE
WIRE	2.54 mm [.100]	F
INSUL	4.57 mm [.180]	O
APPL INSTRUCTIONS 408-35043		

TERMINAL DATA: TE TERMINAL - CRIMP SPECIFICATION			
TERMINAL NAME: TAB, FASTIN-FASTON, .187 SERIES			
WIRE STRIP LENGTH		INSULATION DIAMETER RANGE	
4.20-5.10 mm [.165-.201 IN]		∅2.79-3.81 mm [.110-.150 IN]	
TERMINAL APPLICATION SPECIFICATION	NONE		
TERMINALS APPLIED			
TE TERMINAL	TE TERMINAL	TE TERMINAL	TE TERMINAL
1742800-1			

WIRE SIZE	CRIMP HEIGHT mm [INCH]	CRIMP HEIGHT REFERENCE SETTING
14 AWG	2.24 +/- 0.05 [.088 +/- .002]	3.2
16 AWG	1.98 +/- 0.05 [.078 +/- .002]	6.2
18 AWG	1.83 +/- 0.05 [.072 +/- .002]	7.8



- 1 RECOMMENDED SPARE PARTS
- 2 REFER TO SUPPLIED INSTRUCTION SHEET FOR CLEANING, LUBRICATION AND STORAGE OF APPLICATOR.
- 3 APPLY PART NUMBER 2-23419-6 LOCTITE TO THREADS OF ITEM 242. APPLY PART NUMBER 1-23419-5 LOCTITE TO THREADS OF ITEM 180.
- 4 CRIMP HEIGHT REFERENCE SETTING WAS THE SETTING USED WHEN THE APPLICATOR WAS QUALIFIED AT THE FACTORY. ADJUSTMENT MAY BE NECESSARY WHEN RUNNING APPLICATOR IN THE FIELD.
- 5 TERMINAL PITCH NOT COMPATABLE WITH MECHANICAL FEED.
- 6. UNLESS SPECIFIED OTHERWISE TORQUE VALUES SHALL BE USED PER DOCUMENT, 101-35000.

***WARNING**
ON INSTALLATION, SET WIRE DISC TO CRIMP HEIGHT REFERENCE SETTING FOR LARGEST WIRE SIZE. CRIMP HEIGHT REFERENCE SETTINGS GREATER THAN THE VALUE SHOWN MAY CAUSE DAMAGE TO THE CRIMP TOOLING. REFER TO THE INSTRUCTION SHEET FOR PROPER SETUP AND ADJUSTMENTS.

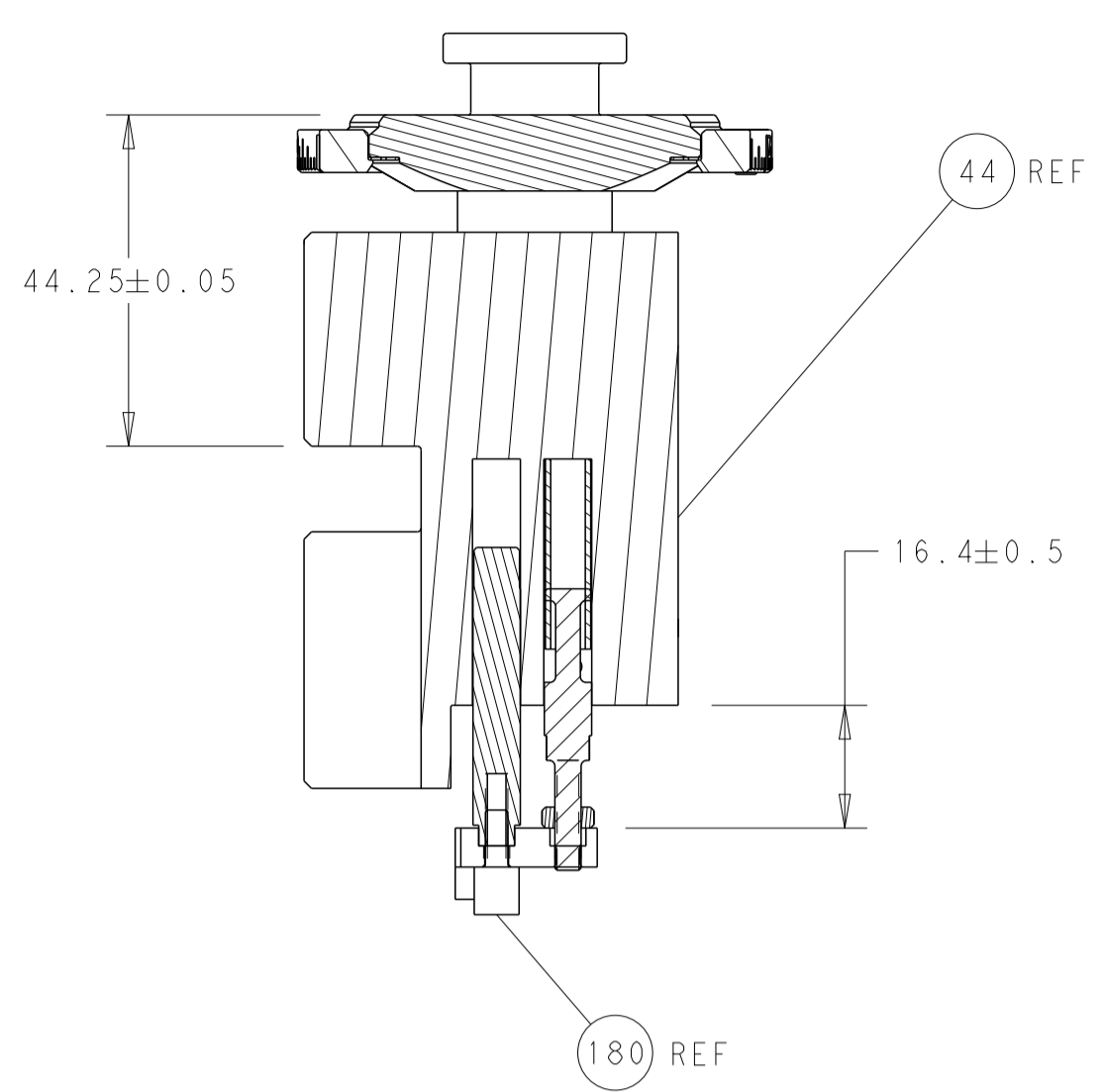
ATLANTIC VERSION
Shown on sheets 1 of 4 & 2 of 4
(Pacific version shown on sheets 3 of 4 & 4 of 4)

LOC	DIST	REVISIONS					
A	66	P	LTN	DESCRIPTION	DATE	DWN	APVD
		A		RELEASED	19FEB2015	BW	GB
		B		ECR-19-009504	18JUN2019	TB	TE
		C		ECR-19-011869	27JUL2019	TB	TE

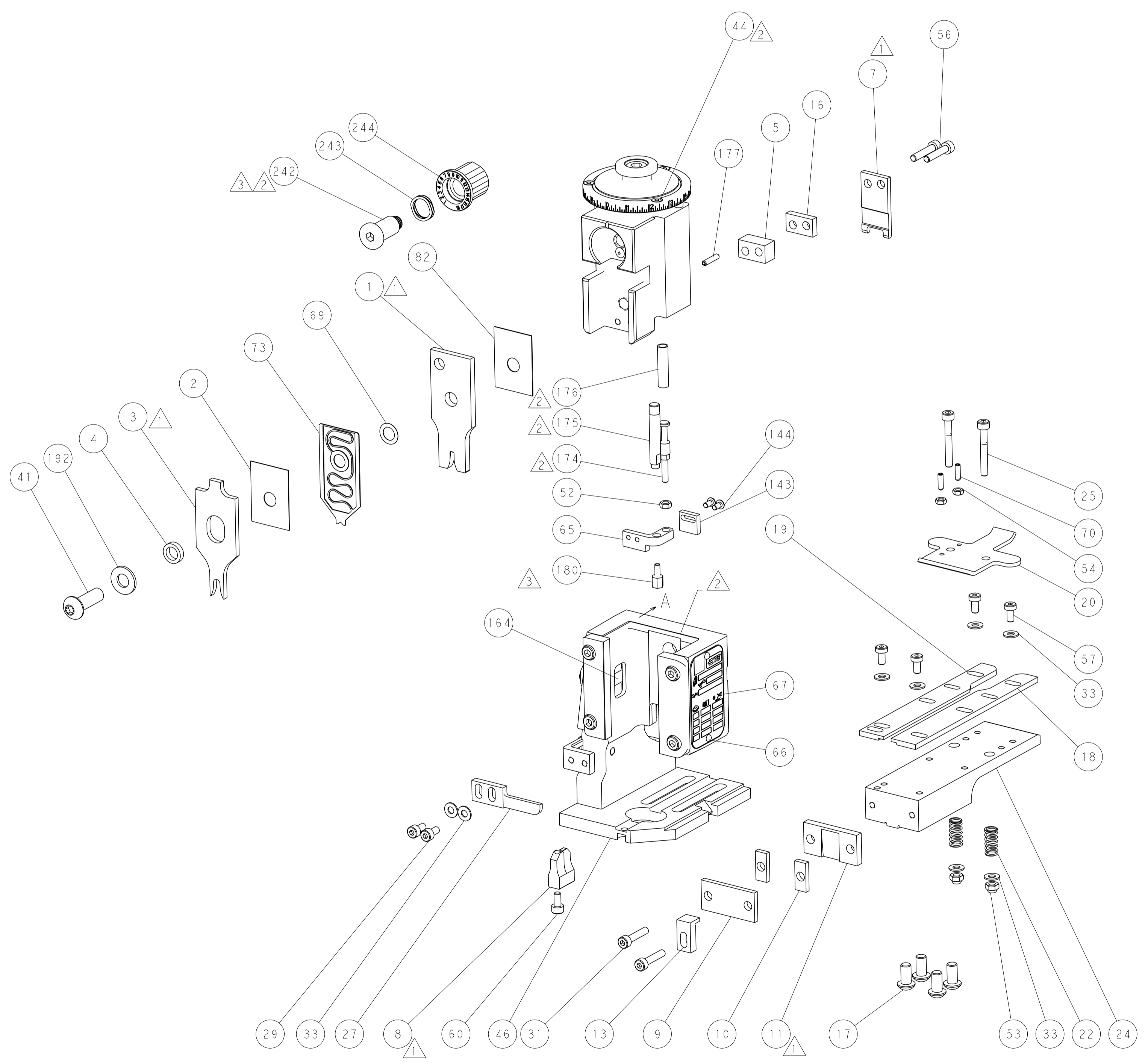
-	1	1	2119641-1	FEED CAM, AIR FEED	248	
-	1	1	2119082-3	CAM, SNAIL, INSULATION ADJUSTMENT	244	
-	1	1	2079764-1	WASHER, WAVE SPRING, CREST-TO-CREST	243	
3	-	1	1	2119083-1	RETAINER, INSULATION DIAL	242
-	1	1	2844940-4	AIR FEED MODULE	238	
-	1	1	1-18028-0	WASHER, FLAT, REG M8	192	
3	-	1	1	1-1752354-0	STANDOFF, HOLD-DOWN	180
-	1	1	6-993111-6	PIN, SLOTTED SPRING 3.0 X 14.0	177	
-	1	1	8-22280-7	SPRING, COMPRESSION	176	
-	1	1	1752353-2	GUIDE PIN, HOLDDOWN	175	
-	1	1	1901680-2	GUIDE PIN, HOLDDOWN	174	
-	REF	REF	994970-2	COUNTER, MAGNETIC	164	
-	2	2	18024-1	SCR, BTN SKT HD CAP (M3 X 6.0)	144	
-	1	1	1-1976053-3	LOCATER BLOCK, TERMINAL	143	
-	1	1	455888-4	SPACER, CRIMPER	82	
-	1	1	2119791-5	DEPRESSOR, WIRE	73	
-	1	1	1803607-4	DOCUMENTATION PACKAGE	71	
-	2	2	2-18032-2	SCR, SET, FLT PNT, M3 X 10.0	70	
-	1	1	2119943-1	WASHER, SPACER	69	
-	1	1	2119740-1	TAG, IDENTIFICATION	67	
-	2	2	2168078-1	SCREW, DRIVE, RH, RoHS, 2 x .188	66	
-	1	1	1901681-8	HOLDDOWN, TERMINAL	65	
-	1	1	2168083-2	SCR, SKT HD CAP, RoHS, M4 X 8.0	60	
-	1	1	5-18022-5	SCR, HEX HD CAP, M4 X 6.0	59	
-	4	4	2168400-4	SHCS, LOW HEAD, RoHS, M4 X 8	57	
-	2	2	2168083-9	SCR, SKT HD CAP, RoHS, M4 X 20	56	
-	2	2	5018030-1	NUT, HEX, REG, RoHS, M3	54	
-	2	2	986965-8	NUT, LOCK, HEX, TORQUE (M4)	53	
-	1	1	1-5018030-0	NUT, HEX, REG, RoHS, M3.5	52	
-	1	1	2063961-1	FEED FINGER	51	
-	1	1	18023-9	SCR, SKT HD CAP M4 X 6.0	49	
-	1	1	2119655-5	APPLICATOR BASIC ASSEMBLY, EF	46	
-	1	1	1803517-1	RAM ASSEMBLY, EF ATLANTIC	44	
-	1	1	1803602-1	SCR, BHSC, RoHS (M8 X 25)	41	
-	8	8	1-18028-2	WASHER, FLAT, REG M4	33	
-	2	2	2168083-9	SCR, SKT HD CAP, RoHS, M4 X 20	31	
-	2	2	2168083-2	SCR, SKT HD CAP, RoHS, M4 X 8.0	29	
-	1	1	240639-1	STRIPPER (MACHINING)	27	
-	2	2	1-2168083-5	SCR, SKT HD CAP, RoHS, M4 X 30	25	
-	1	1	1752371-5	PLATE, STRIP GUIDE	24	
-	2	2	2-22281-3	SPRING, COMPRESSION	22	
-	1	1	1803292-4	DRAG	20	
-	1	1	1-1901696-9	STRIP GUIDE, REAR	19	
-	1	1	1-1901695-9	STRIP GUIDE, FRONT	18	
-	4	4	1-2079383-1	SCR, BHSC, RoHS (M6 X 12)	17	
-	1	1	240641-4	SPACER	16	
-	1	1	1752360-1	SPACER, HOLD-DOWN	13	
1	-	1	1	240644-1	PLATE, REAR SHEAR	11
1	-	2	2	1-240645-4	SPACER, SHEAR PLATE	10
1	-	1	1	240642-4	PLATE, FRONT SHEAR	9
1	1	2	1	6-1633383-6	ANVIL, COMBINATION	8
1	-	1	1	9-240651-1	BLADE, SLUG	7
-	-	-	-	-	6	
-	1	1	5-240641-5	SPACER	5	
-	1	1	238011-2	BLOCK, CRIMPER SPACER	4	
1	1	2	1	6-2119784-0	CRIMPER, INSULATION O PREMIUM	3
-	1	1	455888-3	SPACER, CRIMPER	2	
1	1	2	1	456407-4	CRIMPER, WIRE PREMIUM	1
-	77	72	2	PART NO	DESCRIPTION	ITEM NO

DIMENSIONS:		TOLERANCES UNLESS OTHERWISE SPECIFIED:		DWN B. WEAVER 23DEC2014		CHK G. BAILEY 23DEC2014		APVD G. BAILEY 23DEC2014		NAME	
mm		0 PLC ±		G. BAILEY 23DEC2014		NAME		PRODUCT SPEC		Ocean End Feed Applicator	
		1 PLC ±		APPLICATION SPEC		SIZE		CAGE CODE		DRAWING NO	
		2 PLC ±		WEIGHT		A1		00779		2150522	
		3 PLC ±		MATERIAL		Customer Accessible Production Drawing		SCALE		1:1	
		4 PLC ±		FINISH		SHEET		1		OF 4	
		ANGLES				REV		C			

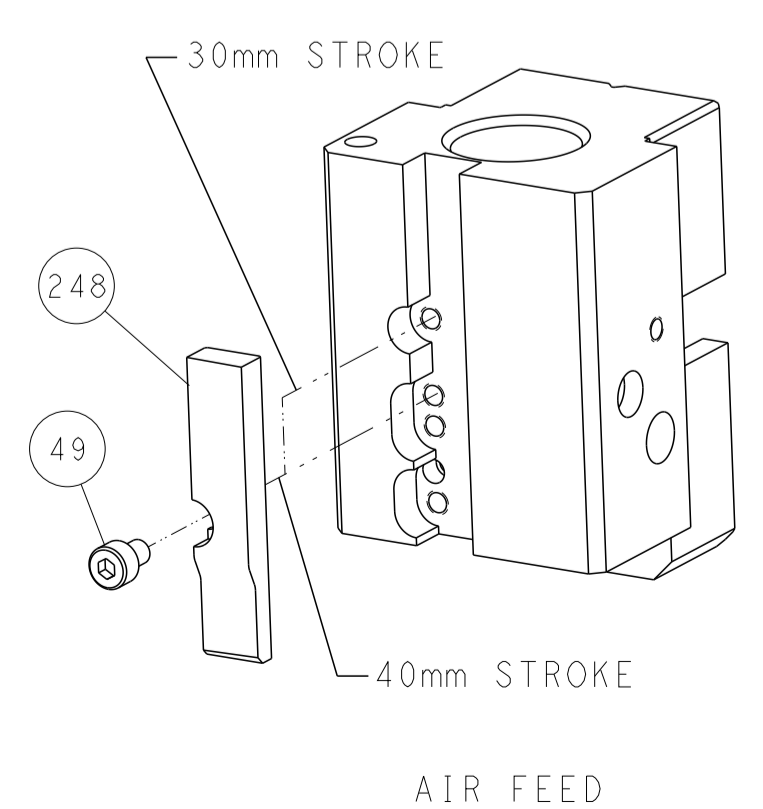
LOC	DIST	REV	DESCRIPTION	DATE	OWN	APVD
A	66		SEE SHEET 1			



RAM AND HOLDDOWN SET-UP



CAM POSITION



AIR FEED

FEED TYPE

PNEUMATIC

FEED SPRING SETTING POSITION

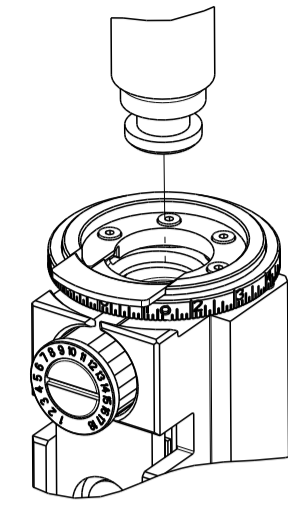
DETAIL A

ATLANTIC VERSION
 Shown on sheets 1 of 4 & 2 of 4
 (Pacific version shown on sheets 3 of 4 & 4 of 4)

<small>THIS DRAWING IS UNPUBLISHED. RELEASED FOR PUBLICATION 2014 BY TYCO ELECTRONICS CORPORATION. ALL RIGHTS RESERVED.</small>		DWN: B. WEAVER 23DEC2014 CHK: G. BAILEY 23DEC2014 APVD: G. BAILEY 23DEC2014	TE Connectivity Harrisburg, PA 17105-3608
DIMENSIONS: mm TOLERANCES UNLESS OTHERWISE SPECIFIED: 0 PLC ± 1 PLC ± 2 PLC ± 3 PLC ± 4 PLC ± ANGLES ± MATERIAL: - FINISH: -		NAME: Ocean End Feed Applicator APPLICATION SPEC: - SIZE: A1 CAGE CODE: 00779 DRAWING NO: C=2150522 WEIGHT: - SCALE: 1:1	RESTRICTED TO: - SHEET: 2 of 4 REV: C

8	7	6	5	4	3	2	1
THIS DRAWING IS UNPUBLISHED.		RELEASED FOR PUBLICATION		2014			
COPYRIGHT 2014 BY TYCO ELECTRONICS CORPORATION. ALL RIGHTS RESERVED.							
PART NUMBER	REVISION	DESCRIPTION	FEED TYPE				
2-2150522-2	C	FINE CRIMP HEIGHT ADJUST	PNEUMATIC				
7-2150522-7	A	CRIMP TOOLING KIT	-				

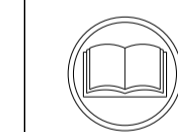
PACIFIC VERSION TERMINATOR
INTERFACE ADAPTER



APPLICATOR DATA		
CRIMP	SIZE	TYPE
WIRE	2.54 mm [.100]	F
INSUL	4.57 mm [.180]	O
APPL INSTRUCTIONS 408-35043		

TERMINAL DATA: TE TERMINAL - CRIMP SPECIFICATION			
TERMINAL NAME: TAB, FASTIN-FASTON, .187 SERIES			
WIRE STRIP LENGTH		INSULATION DIAMETER RANGE	
4.20-5.10 mm [.165-.201 IN]		Ø2.79-3.81 mm [.110-.150 IN]	
TERMINAL APPLICATION SPECIFICATION	NONE		
TERMINALS APPLIED			
TE TERMINAL	TE TERMINAL	TE TERMINAL	TE TERMINAL
1742800-1			

WIRE SIZE	CRIMP HEIGHT mm [INCH]	CRIMP HEIGHT REFERENCE SETTING
14 AWG	2.24 +/- 0.05 [.088 +/- .002]	3.2
16 AWG	1.98 +/- 0.05 [.078 +/- .002]	6.2
18 AWG	1.83 +/- 0.05 [.072 +/- .002]	7.8



- RECOMMENDED SPARE PARTS
- REFER TO SUPPLIED INSTRUCTION SHEET FOR CLEANING, LUBRICATION AND STORAGE OF APPLICATOR.
- APPLY PART NUMBER 2-23419-6 LOCTITE TO THREADS OF ITEM 242. APPLY PART NUMBER 1-23419-5 LOCTITE TO THREADS OF ITEM 180.
- CRIMP HEIGHT REFERENCE SETTING WAS THE SETTING USED WHEN THE APPLICATOR WAS QUALIFIED AT THE FACTORY. ADJUSTMENT MAY BE NECESSARY WHEN RUNNING APPLICATOR IN THE FIELD.
- TERMINAL PITCH NOT COMPATIBLE WITH MECHANICAL FEED.
- 6. UNLESS SPECIFIED OTHERWISE TORQUE VALUES SHALL BE USED PER DOCUMENT, 101-35000.

***WARNING**
ON INSTALLATION, SET WIRE DISC TO CRIMP HEIGHT REFERENCE SETTING FOR LARGEST WIRE SIZE. CRIMP HEIGHT REFERENCE SETTINGS GREATER THAN THE VALUE SHOWN MAY CAUSE DAMAGE TO THE CRIMP TOOLING. REFER TO THE INSTRUCTION SHEET FOR PROPER SETUP AND ADJUSTMENTS.

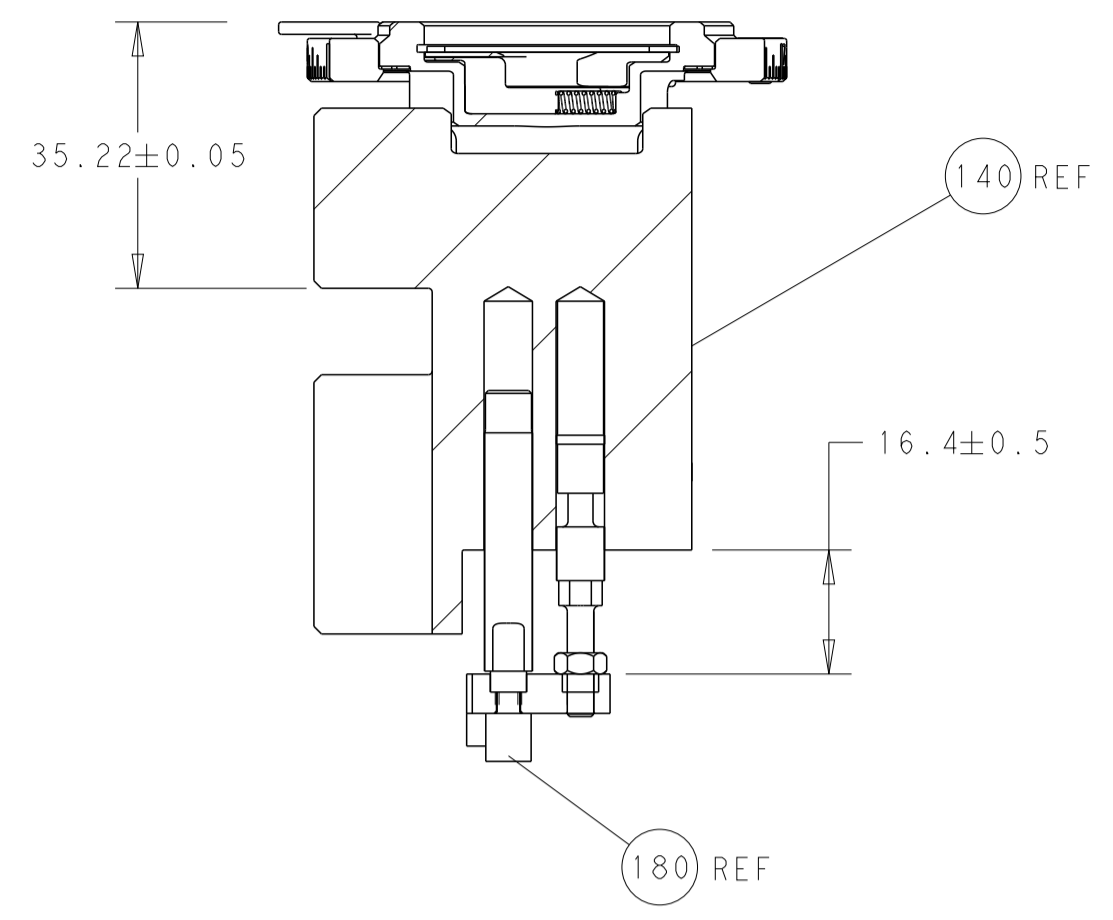
LOC	DIST	REVISIONS					
A	66	P	LTN	DESCRIPTION	DATE	OWN	APVD
		-		SEE SHEET 1	-	-	-

	-	1	2119082-3	CAM, SNAIL, INSULATION ADJUSTMENT	244
	-	1	2079764-1	WASHER, WAVE SPRING, CREST-TO-CREST	243
	-	1	2119083-1	RETAINER, INSULATION DIAL	242
	-	1	2844940-4	AIR FEED MODULE	238
	-	1	1-18028-0	WASHER, FLAT, REG M8	192
	-	4	2079383-9	SCR, BHSC, RoHS (M6 X 20)	186
	-	1	1-1752354-0	STANDOFF, HOLD-DOWN	180
	-	1	6-993111-6	PIN, SLOTTED SPRING 3.0 X 14.0	177
	-	1	8-22280-7	SPRING, COMPRESSION	176
	-	1	1752353-2	GUIDE PIN, HOLDDOWN	175
	-	1	1901680-2	GUIDE PIN, HOLDDOWN	174
	-	REF	994970-2	COUNTER, MAGNETIC	164
	-	1	2119641-2	FEED CAM, AIR FEED	152
	-	1	2168083-8	SCR, SKT HD CAP, RoHS, M4 X 16	144
	-	2	18024-1	SCR, BTN SKT HD CAP (M3 X 6.0)	144
	-	1	1-1976053-3	LOCATER BLOCK, TERMINAL	143
	-	1	2119655-6	APPLICATOR BASIC ASSEMBLY, EF	141
	-	1	1803518-1	RAM ASSEMBLY, EF PACIFIC	140
	-	1	455888-4	SPACER, CRIMPER	82
	-	1	2119791-5	DEPRESSOR, WIRE	73
	-	1	1803607-4	DOCUMENTATION PACKAGE	71
	-	2	2-18032-2	SCR, SET, FLT PNT, M3 X 10.0	70
	-	1	2119943-1	WASHER, SPACER	69
	-	1	2119740-1	TAG, IDENTIFICATION	67
	-	2	2168078-1	SCREW, DRIVE, RH, RoHS, 2 x .188	66
	-	1	1901681-8	HOLDDOWN, TERMINAL	65
	-	1	5-18022-5	SCR, HEX HD CAP, M4 X 6.0	59
	-	4	2168400-4	SHCS, LOW HEAD, RoHS, M4 X 8	57
	-	2	2168083-9	SCR, SKT HD CAP, RoHS, M4 X 20	56
	-	2	5018030-1	NUT, HEX, REG, RoHS, M3	54
	-	2	986965-8	NUT, LOCK, HEX, TORQUE (M4)	53
	-	1	1-5018030-0	NUT, HEX, REG, RoHS, M3.5	52
	-	1	2063961-1	FEED FINGER	51
	-	1	18023-9	SCR, SKT HD CAP M4 X 6.0	49
	-	1	1803602-1	SCR, BHSC, RoHS (M8 X 25)	41
	-	8	1-18028-2	WASHER, FLAT, REG M4	33
	-	2	2168083-9	SCR, SKT HD CAP, RoHS, M4 X 20	31
	-	2	2168083-2	SCR, SKT HD CAP, RoHS, M4 X 8.0	29
	-	1	240639-1	STRIPPER (MACHINING)	27
	-	2	1-2168083-5	SCR, SKT HD CAP, RoHS, M4 X 30	25
	-	1	1752371-5	PLATE, STRIP GUIDE	24
	-	2	2-22281-3	SPRING, COMPRESSION	22
	-	1	1803292-4	DRAG	20
	-	1	1-1901696-9	STRIP GUIDE, REAR	19
	-	1	1-1901695-9	STRIP GUIDE, FRONT	18
	-	1	240641-4	SPACER	16
	-	1	1752360-1	SPACER, HOLD-DOWN	13
	-	1	240644-1	PLATE, REAR SHEAR	11
	-	2	1-240645-4	SPACER, SHEAR PLATE	10
	-	1	240642-4	PLATE, FRONT SHEAR	9
	1	1	6-1633383-6	ANVIL, COMBINATION	8
	-	1	9-240651-1	BLADE, SLUG	7
	-	-	-	-	6
	-	1	5-240641-5	SPACER	5
	-	1	238011-2	BLOCK, CRIMPER SPACER	4
	1	1	6-2119784-0	CRIMPER, INSULATION O PREMIUM	3
	-	1	455888-3	SPACER, CRIMPER	2
	1	1	456407-4	CRIMPER, WIRE PREMIUM	1
	-	77-22	PART NO	DESCRIPTION	ITEM NO

PACIFIC VERSION
Shown on sheets 3 of 4 & 4 of 4
(Atlantic version shown on sheets 1 of 4 & 2 of 4)

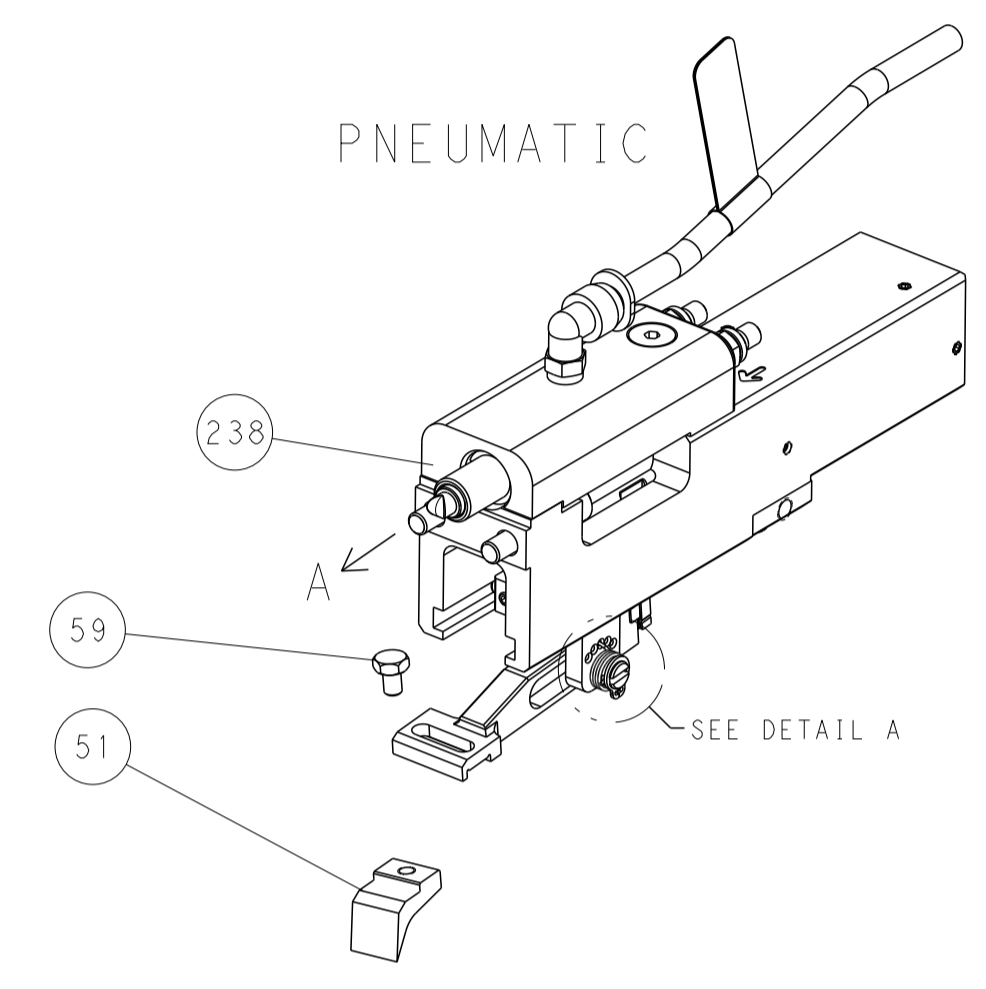
<small>THIS DRAWING IS UNPUBLISHED. RELEASED FOR PUBLICATION 2014. ALL RIGHTS RESERVED.</small>		DWN B. WEAVER 23DEC2014 CHK G. BAILEY 23DEC2014 APVD G. BAILEY 23DEC2014	NAME: Ocean End Feed Applicator SIZE: A1 CAGE CODE: 00779 DRAWING NO: C-2150522 SCALE: 1:1 SHEET: 3 OF 4 REV: C
DIMENSIONS: mm 		TOLERANCES UNLESS OTHERWISE SPECIFIED: 0 PLC ± 1 PLC ± 2 PLC ± 3 PLC ± 4 PLC ± ANGLES ± FINISH	RESTRICTED TO: Customer Accessible Production Drawing

LOC	DIST	REV	DATE	BY	APPD
A	66				
REVISIONS			DESCRIPTION	DATE	BY
			SEE SHEET 1		

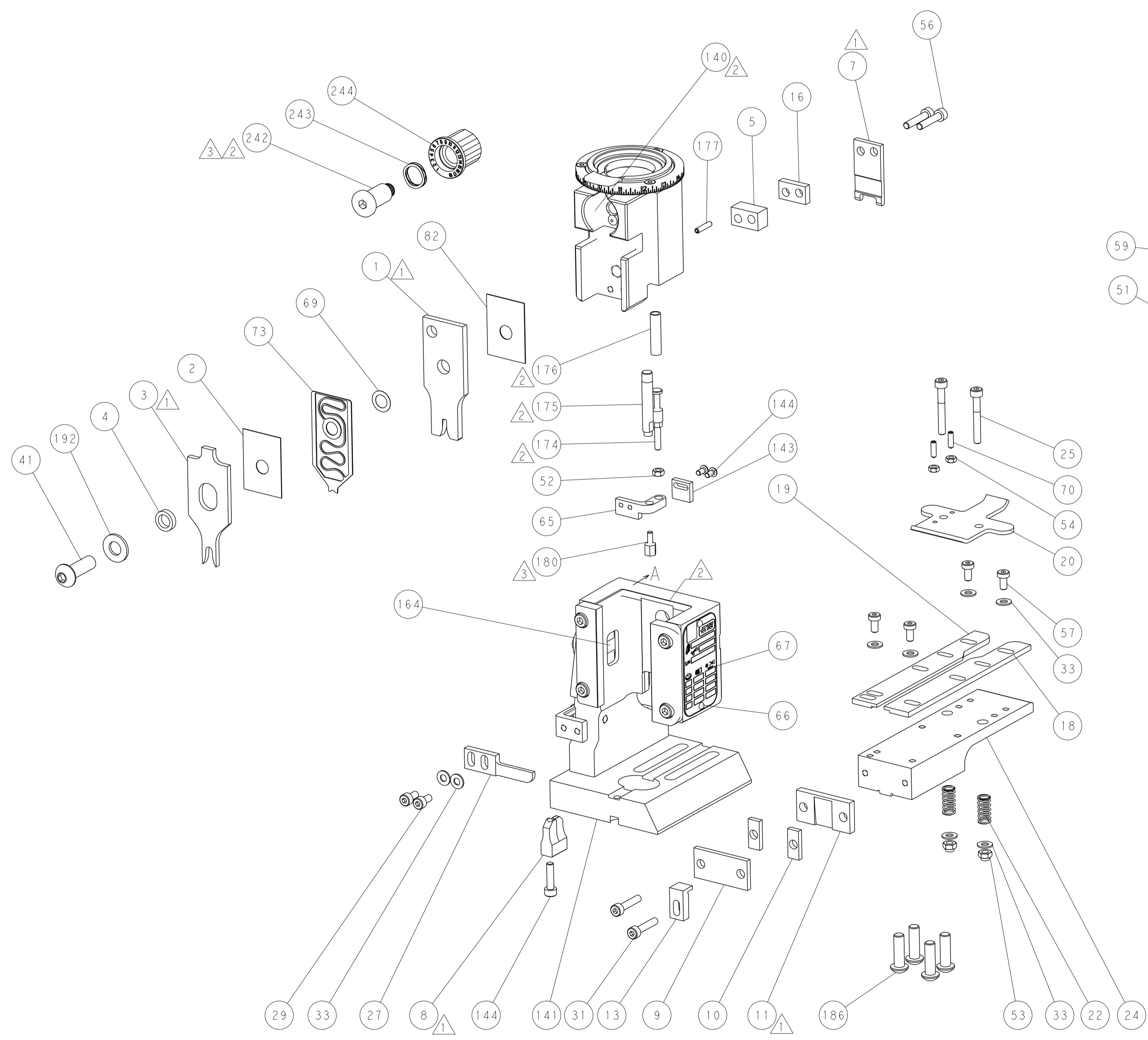
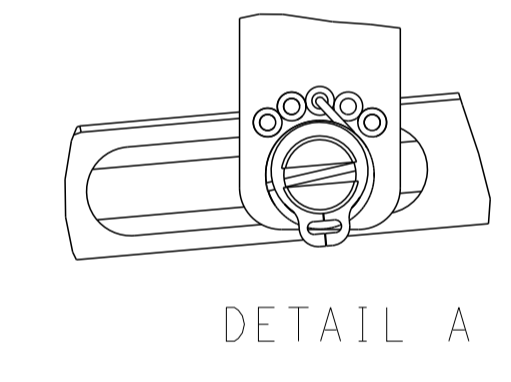


RAM AND HOLDDOWN SET-UP

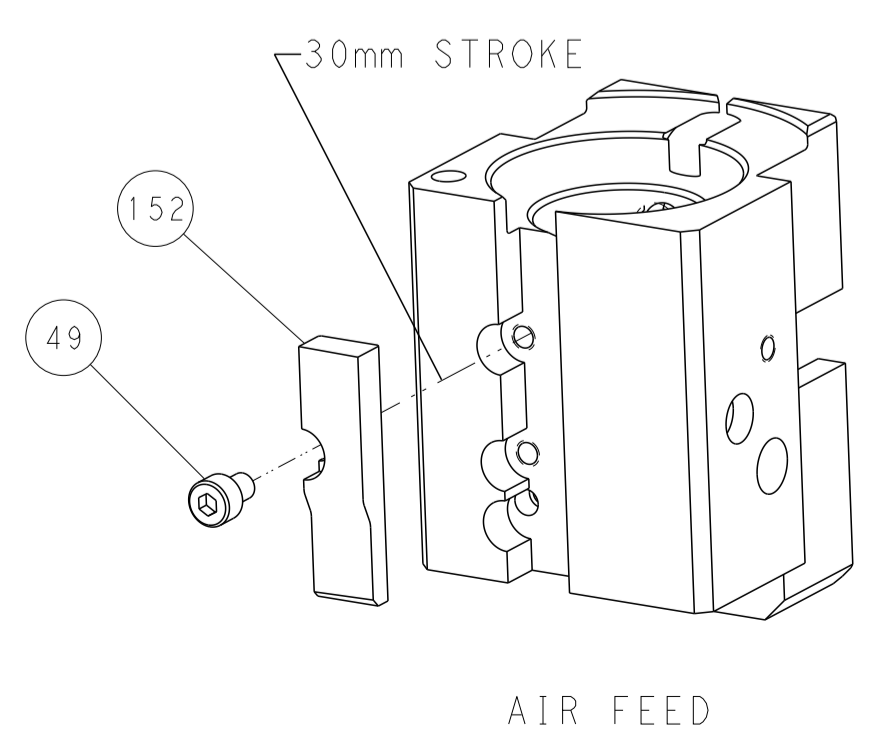
FEED TYPE



FEED SPRING SETTING POSITION



CAM POSITION



PACIFIC VERSION
 Shown on sheets 3 of 4 & 4 of 4
 (Atlantic version shown on sheets 1 of 4 & 2 of 4)

DIMENSIONS:		TOLERANCES UNLESS OTHERWISE SPECIFIED:		DWG: B. WEAVER 23DEC2014		REV: 1	
mm	0 PLC	±		CHK: G. BAILEY 23DEC2014	NAME: TE Connectivity		
	1 PLC	±		APPD: G. BAILEY 23DEC2014	Harrisburg, PA 17105-3608		
	2 PLC	±		PRODUCT SPEC:	Ocean End Feed Applier		
	3 PLC	±		APPLICATION SPEC:	-		
	4 PLC	±		WEIGHT:	-		
	ANGLES	±		SCALE:	1:1		
	FINISH	±		SHEET:	4 of 4		
MATERIAL:				REV:	C		
Customer Accessible Production Drawing				Customer Accessible Production Drawing			

Mouser Electronics

Authorized Distributor

Click to View Pricing, Inventory, Delivery & Lifecycle Information:

[TE Connectivity:](#)

[2150522-2](#)