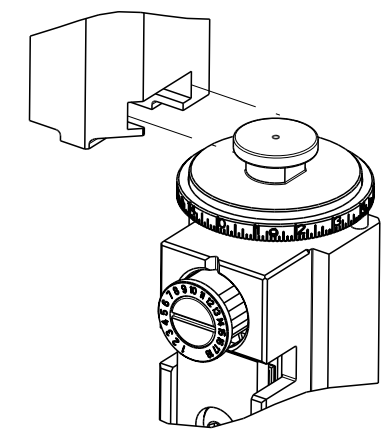


PART NUMBER	REVISION	DESCRIPTION	FEED TYPE
2150322-1	B	FINE CRIMP HEIGHT ADJUST	MECHANICAL
2150322-2	C	FINE CRIMP HEIGHT ADJUST	PNEUMATIC
7-2150322-1	B	MECHANICAL AND CRIMP TOOLING KIT	MECHANICAL
7-2150322-2	C	PNEUMATIC AND CRIMP TOOLING KIT	PNEUMATIC
7-2150322-7	A	CRIMP TOOLING KIT	-

ATLANTIC VERSION TERMINATOR INTERFACE ADAPTER



APPLICATOR DATA		
CRIMP	SIZE	TYPE
WIRE	4.50 mm [.177]	F
INSUL	5.30 mm [.209]	F
APPL INSTRUCTIONS 408-35043		

TERMINAL DATA: TE TERMINAL TE CRIMP SPECIFICATION			
TERMINAL NAME: FASTON CONNECTOR, .250 SERIES			
WIRE STRIP LENGTH	INSULATION DIAMETER RANGE		
5.84-6.60 mm [.230-.260 IN]	∅3.80-5.10 mm [.150-.201 IN]		
TERMINAL APPLICATION SPECIFICATION	114-20023		
TERMINALS APPLIED			
TE TERMINAL	TE TERMINAL	TE TERMINAL	TE TERMINAL
1-160301-6	1-160301-8	1-160301-9	2-160301-8
2-160301-9			

WIRE SIZE	CRIMP HEIGHT mm [INCH]	CRIMP HEIGHT REFERENCE SETTING
6.00mm2	2.34 +/- 0.03 [.092 +/- .001]	5.2

- 1. RECOMMENDED SPARE PARTS
- 2. REFER TO SUPPLIED INSTRUCTION SHEET FOR CLEANING, LUBRICATION AND STORAGE OF APPLICATOR.
- 3. APPLY PART NUMBER 2-23419-6 LOCTITE TO THREADS OF ITEM 242.
- 4. CRIMP HEIGHT REFERENCE SETTING WAS THE SETTING USED WHEN THE APPLICATOR WAS QUALIFIED AT THE FACTORY. ADJUSTMENT MAY BE NECESSARY WHEN RUNNING APPLICATOR IN THE FIELD.
- 5. UNLESS SPECIFIED OTHERWISE TORQUE VALUES SHALL BE USED PER DOCUMENT, 101-35000.

***WARNING**
ON INSTALLATION, SET WIRE DISC TO CRIMP HEIGHT REFERENCE SETTING FOR LARGEST WIRE SIZE. CRIMP HEIGHT REFERENCE SETTINGS GREATER THAN THE VALUE SHOWN MAY CAUSE DAMAGE TO THE CRIMP TOOLING. REFER TO THE INSTRUCTION SHEET FOR PROPER SETUP AND ADJUSTMENTS.

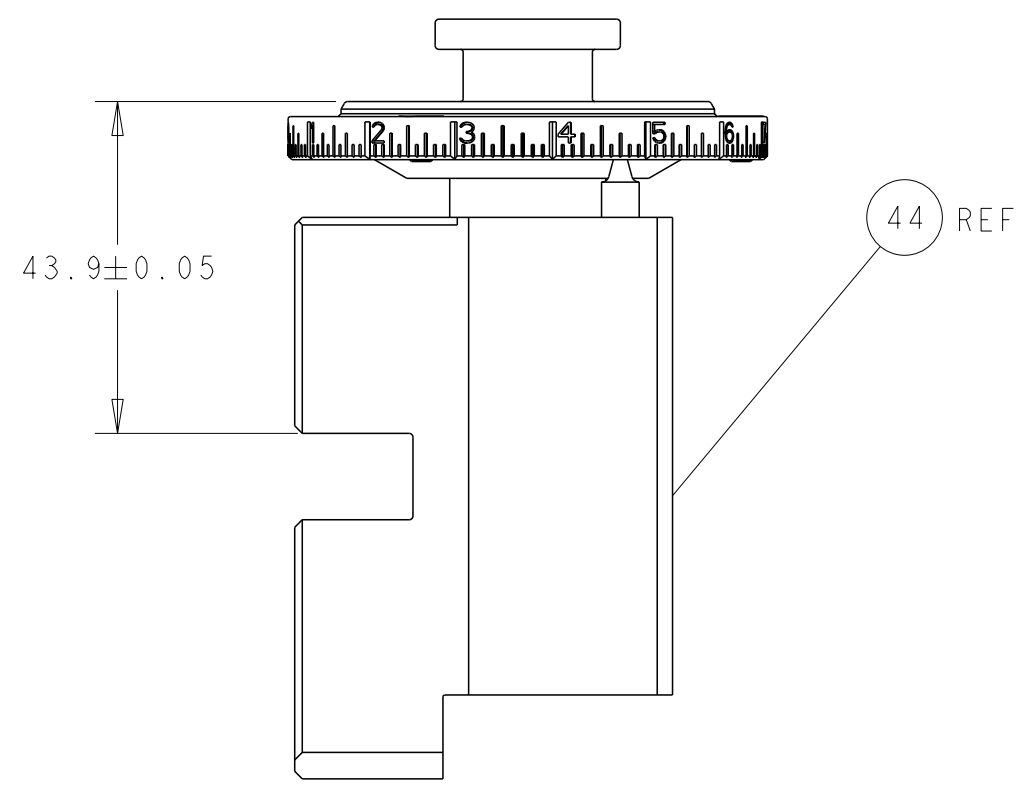
LOC	DIST	REVISIONS					
		P	LY#	DESCRIPTION	DATE	OWN	APVD
A	66	A		RELEASED	27NOV2013	LG	TE
		B		ECR-19-007969	19MAY2019	TB	TE
		C		ECR-19-012905	15AUG2019	JAH	RK

-	1	-	1	-	2119641-1	FEED CAM, AIR FEED	248		
-	1	1	1	1	2119082-9	CAM, SNAIL, INSULATION ADJUSTMENT	244		
-	1	1	1	1	2079764-1	WASHER, WAVE SPRING, CREST-TO-CREST	243		
3	-	1	1	1	2119083-1	RETAINER, INSULATION DIAL	242		
-	-	1	-	1	2119580-1	MECHANICAL FEED ASSEMBLY	239		
-	1	-	1	-	2844940-3	AIR FEED MODULE	238		
-	1	1	1	1	1-18028-0	WASHER, FLAT, REG M8	192		
-	REF	REF	REF	REF	994970-2	COUNTER, MAGNETIC	164		
-	1	1	1	1	455888-4	SPACER, CRIMPER	82		
-	1	1	1	1	2119791-5	DEPRESSOR, WIRE	73		
-	1	1	1	1	1803607-4	DOCUMENTATION PACKAGE	71		
-	2	2	2	2	2-18032-2	SCR, SET, FLT PNT, M3 X 10.0	70		
-	1	1	1	1	2119740-1	TAG, IDENTIFICATION	67		
-	2	2	2	2	2168078-1	SCREW, DRIVE, RH, RoHS, 2 x .188	66		
-	2	2	2	2	2168400-5	SHCS, LOW HEAD, RoHS, M4 X 20	64		
-	1	1	1	1	2168083-2	SCR, SKT HD CAP, RoHS, M4 X 8.0	60		
-	1	1	1	1	5-18022-5	SCR, HEX HD CAP, M4 X 6.0	59		
-	-	1	-	1	2063961-1	FEED FINGER	58		
-	3	3	3	3	2168400-4	SHCS, LOW HEAD, RoHS, M4 X 8	57		
-	2	2	2	2	1-2168083-0	SCR, SKT HD CAP, RoHS, M4 X 10	56		
-	2	2	2	2	5018030-1	NUT, HEX, REG, RoHS, M3	54		
-	2	2	2	2	986965-8	NUT, LOCK, HEX, TORQUE (M4)	53		
-	1	-	1	-	2063961-1	FEED FINGER	51		
-	1	2	1	2	18023-9	SCR, SKT HD CAP M4 X 6.0	49		
-	-	1	-	1	2119652-1	FEED CAM, PRE FEED	48		
-	-	1	-	1	2119653-1	FEED CAM, POST FEED	47		
-	1	1	1	1	2119655-5	APPLICATOR BASIC ASSEMBLY, EF	46		
-	1	1	1	1	1803517-1	RAM ASSEMBLY, EF ATLANTIC	44		
-	1	1	1	1	1803602-1	SCR, BHSC, RoHS (M8 X 25)	41		
-	7	7	7	7	1-18028-2	WASHER, FLAT, REG M4	33		
-	2	2	2	2	2168083-9	SCR, SKT HD CAP, RoHS, M4 X 20	31		
-	2	2	2	2	2168083-2	SCR, SKT HD CAP, RoHS, M4 X 8.0	29		
-	1	1	1	1	240639-1	STRIPPER (MACHINING)	27		
-	2	2	2	2	1-2168083-5	SCR, SKT HD CAP, RoHS, M4 X 30	25		
-	1	1	1	1	1-1752371-6	PLATE, STRIP GUIDE	24		
-	1	1	1	1	240825-2	PLATE, STRIP HOLD DOWN	23		
-	2	2	2	2	2-22281-3	SPRING, COMPRESSION	22		
-	1	1	1	1	1803292-4	DRAG	20		
-	2	2	2	2	1901259-7	GUIDE, LOWER STRIP	18		
-	4	4	4	4	1-2079383-1	SCR, BHSC, RoHS (M6 X 12)	17		
1	-	1	1	1	240644-5	PLATE, REAR SHEAR	11		
-	-	-	-	-	-	-	10		
1	-	1	1	1	4-690495-3	PLATE, FRONT SHEAR	9		
1	2	2	1	1	1803074-4	ANVIL, COMBINATION, END FEED	8		
1	-	1	1	1	2217206-5	BLADE, SLUG	7		
-	-	-	-	-	-	-	6		
-	1	1	1	1	240641-3	SPACER	5		
-	1	1	1	1	4-238011-2	BLOCK, CRIMPER SPACER	4		
1	2	2	1	1	4-1633962-3	CRIMPER, INSULATION F PREMIUM	3		
-	1	1	1	1	455888-4	SPACER, CRIMPER	2		
1	2	2	1	1	8-1633609-4	CRIMPER, WIRE	1		
-	77	-	71	-	2	-1	PART NO	DESCRIPTION	ITEM NO

ATLANTIC VERSION
Shown on sheets 1 of 4 & 2 of 4
(Pacific version shown on sheets 3 of 4 & 4 of 4)

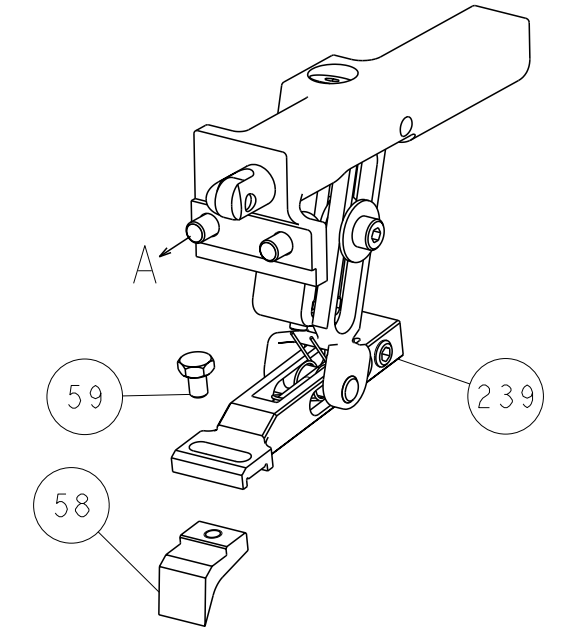
<small>THE INFORMATION CONTAINED HEREIN IS UNCLASSIFIED EXCEPT WHERE SHOWN OTHERWISE. IT IS SUBJECT TO CHANGE AND WITHOUT WARRANTY OF MERCHANTABILITY. IT SHOULD BE CONTACTED FOR THE LATEST REVISION.</small>		DWN L. GROSS 08OCT2013 CHK G. BAILEY 08OCT2013 APVD M. CLIFFORD 08OCT2013 PRODUCT SPEC APPLICATION SPEC WEIGHT SCALE 1:1	TE Connectivity Harrisburg, PA 17105-3608 NAME Ocean End Feed Applicator SIZE CAGE CODE DRAWING NO 00779 SCALE 1:1 SHEET 1 of 4 REV C
DIMENSIONS: mm 		TOLERANCES UNLESS OTHERWISE SPECIFIED: 0 PLC ± 1 PLC ± 2 PLC ± 3 PLC ± 4 PLC ± ANGLES FINISH ±	MATERIAL CUSTOMER ACCESSIBLE PRODUCTION DRAWING

LOC	DIST	REVISIONS			
A	66	REV	DATE	OWN	APVD
		-	SEE SHEET 1	-	-

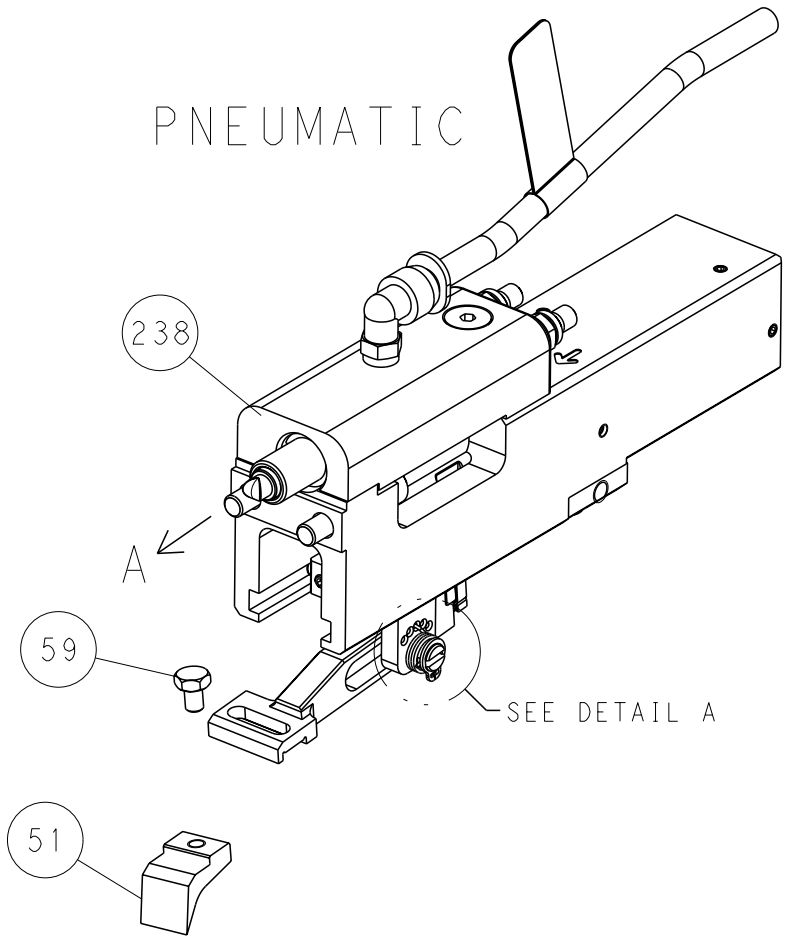


RAM SET-UP

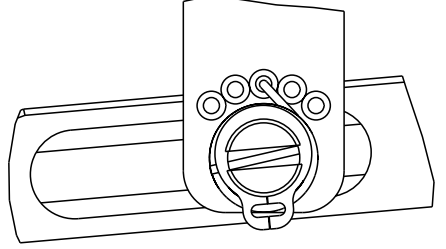
FEED TYPE
MECHANICAL



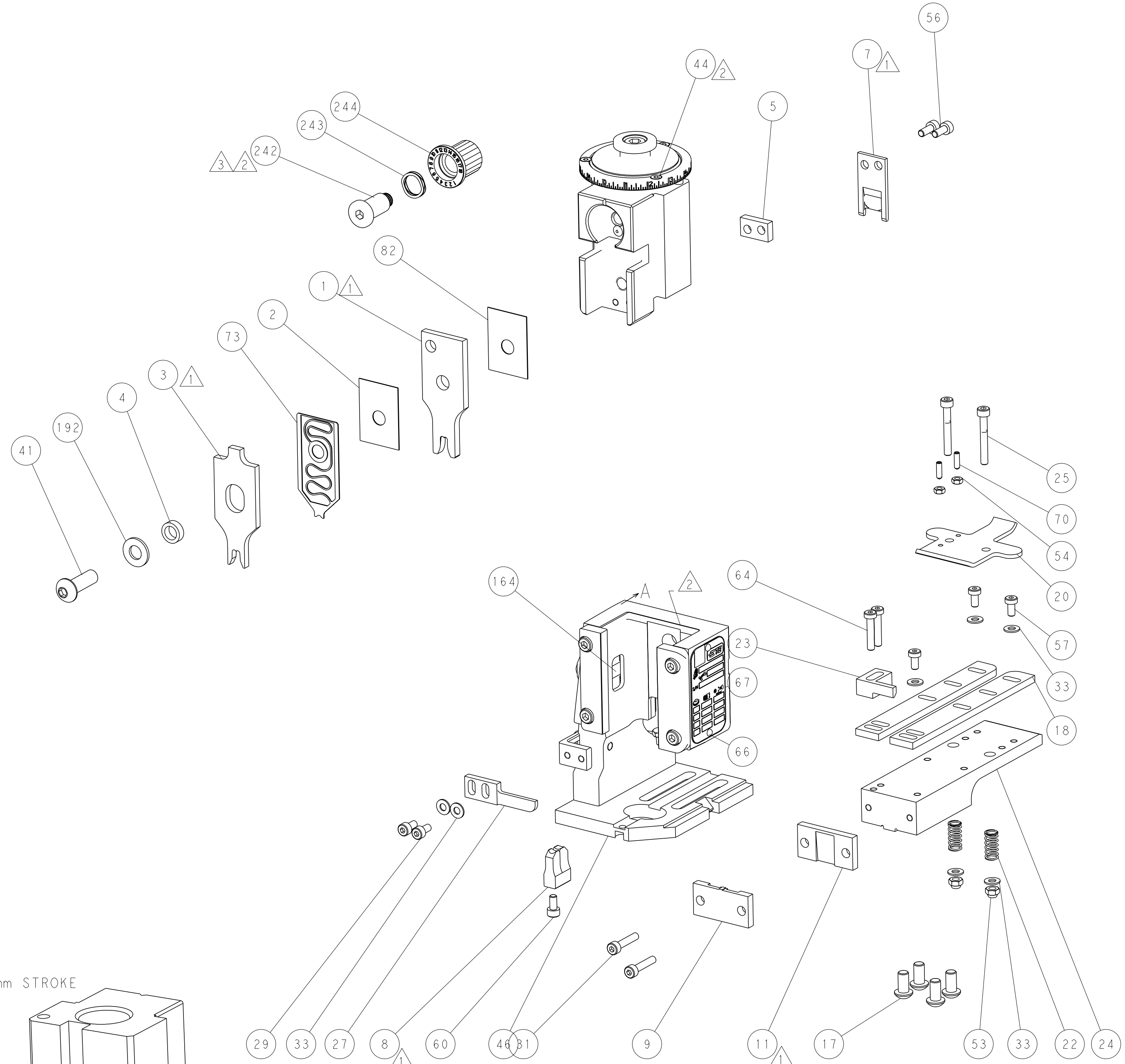
PNEUMATIC



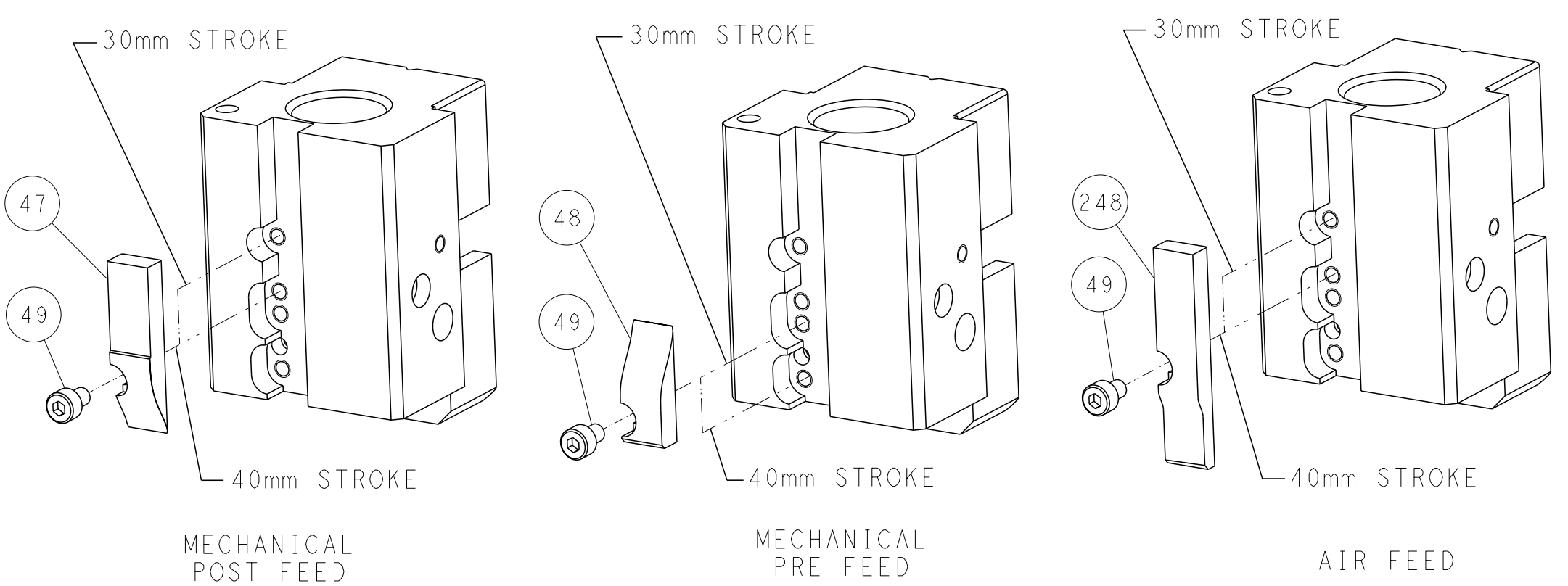
FEED SPRING
SETTING POSITION



DETAIL A



CAM POSITIONS

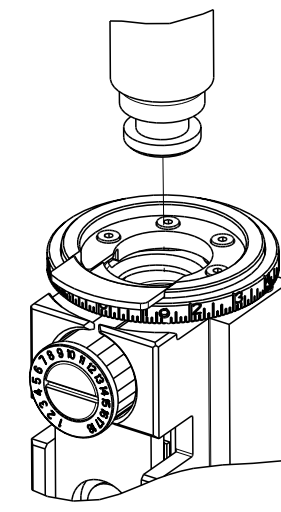


ATLANTIC VERSION
 Shown on sheets 1 of 4 & 2 of 4
 (Pacific version shown on sheets 3 of 4 & 4 of 4)

<small>THIS DRAWING IS A CONTROLLED DOCUMENT FROM TYCO ELECTRONICS CORPORATION. IT IS SUBJECT TO CHANGE AND THE CONTROL AND RESISTING ORGANIZATION SHOULD BE CONTACTED FOR THE LATEST REVISION.</small>		DWN: L. GROSS 08OCT2013 CHK: G. BAILEY 08OCT2013 APVD: M. CLIFFORD 08OCT2013	TE Connectivity Harrisburg, PA 17105-3608
DIMENSIONS: mm TOLERANCES UNLESS OTHERWISE SPECIFIED: 0 PLC ± 1 PLC ± 2 PLC ± 3 PLC ± 4 PLC ± ANGLES FINISH ±		NAME: Ocean End Feed Applicator SIZE: A1 CAGE CODE: 00779 DRAWING NO: C=2150322	RESTRICTED TO: - SCALE: 1:1 SHEET: 2 of 4 REV: C
MATERIAL: - FINISH: -		WEIGHT: - APPLICATION SPEC: - PRODUCT SPEC: -	Customer Accessible Production Drawing

THIS DRAWING IS UNPUBLISHED.	RELEASED FOR PUBLICATION	20	
COPYRIGHT 20 BY TYCO ELECTRONICS CORPORATION. ALL RIGHTS RESERVED.			
PART NUMBER	REVISION	DESCRIPTION	FEED TYPE
2-2150322-1	B	FINE CRIMP HEIGHT ADJUST	MECHANICAL
2-2150322-2	C	FINE CRIMP HEIGHT ADJUST	PNEUMATIC
7-2150322-7	A	CRIMP TOOLING KIT	-

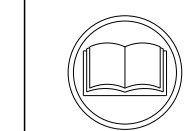
PACIFIC VERSION TERMINATOR
INTERFACE ADAPTER



APPLICATOR DATA		
CRIMP	SIZE	TYPE
WIRE	4.50 mm [.177]	F
INSUL	5.30 mm [.209]	F
APPL INSTRUCTIONS 408-35043		

TERMINAL DATA: TE TERMINAL		TE CRIMP SPECIFICATION	
TERMINAL NAME: FASTON CONNECTOR, .250 SERIES			
WIRE STRIP LENGTH 5.84-6.60 mm [.230-.260 IN]		INSULATION DIAMETER RANGE Ø3.80-5.10 mm [1.150-.201 IN]	
TERMINAL APPLICATION SPECIFICATION 114-20023			
TERMINALS APPLIED			
TE TERMINAL 1-160301-6	TE TERMINAL 1-160301-8	TE TERMINAL 1-160301-9	TE TERMINAL 2-160301-8

WIRE SIZE	CRIMP HEIGHT mm [INCH]	CRIMP HEIGHT REFERENCE SETTING
6.00mm2	2.34+/-0.03 [.092+/-0.011]	5.2



- RECOMMENDED SPARE PARTS
- REFER TO SUPPLIED INSTRUCTION SHEET FOR CLEANING, LUBRICATION AND STORAGE OF APPLICATOR.
- APPLY PART NUMBER 2-23419-6 LOCTITE TO THREADS OF ITEM 242.
- CRIMP HEIGHT REFERENCE SETTING WAS THE SETTING USED WHEN THE APPLICATOR WAS QUALIFIED AT THE FACTORY. ADJUSTMENT MAY BE NECESSARY WHEN RUNNING APPLICATOR IN THE FIELD.
- UNLESS SPECIFIED OTHERWISE TORQUE VALUES SHALL BE USED PER DOCUMENT, 101-35000.

***WARNING**
ON INSTALLATION, SET WIRE DISC TO CRIMP HEIGHT REFERENCE SETTING FOR LARGEST WIRE SIZE. CRIMP HEIGHT REFERENCE SETTINGS GREATER THAN THE VALUE SHOWN MAY CAUSE DAMAGE TO THE CRIMP TOOLING. REFER TO THE INSTRUCTION SHEET FOR PROPER SETUP AND ADJUSTMENTS.

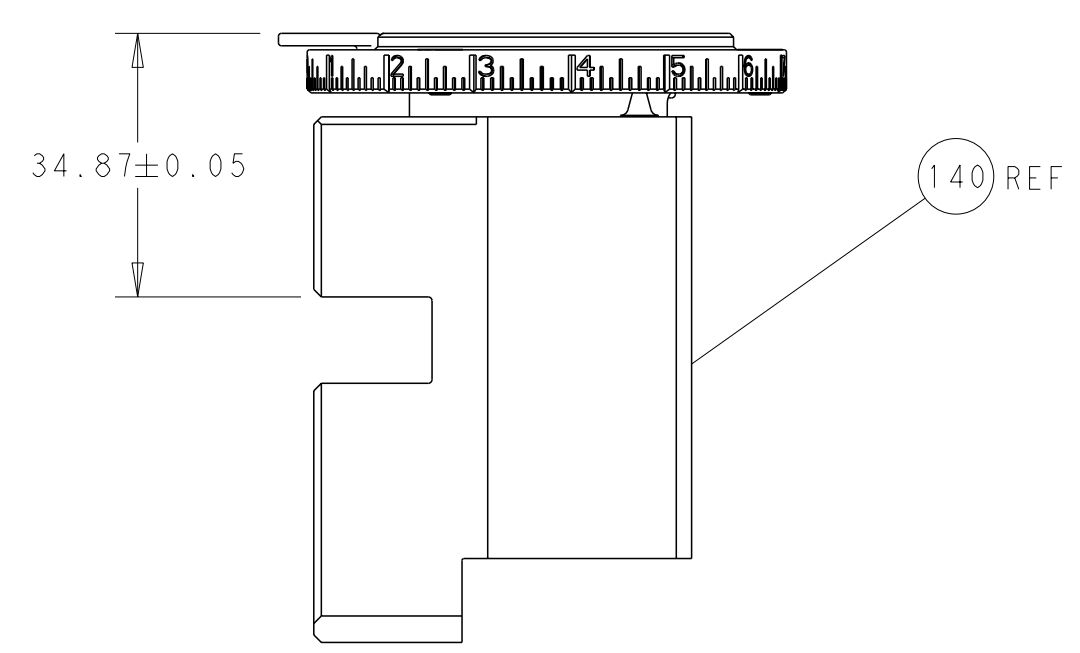
LOC	DIST	REVISIONS					
A	66	P	LYR	DESCRIPTION	DATE	OWN	APVD
		-		SEE SHEET 1			

-	1	1	2119082-9	CAM, SNAIL, INSULATION ADJUSTMENT	244	
-	1	1	2079764-1	WASHER, WAVE SPRING, CREST-TO-CREST	243	
-	1	1	2119083-1	RETAINER, INSULATION DIAL	242	
-	-	1	2119580-1	MECHANICAL FEED ASSEMBLY	239	
-	1	-	2844940-3	AIR FEED MODULE	238	
-	1	1	1-18028-0	WASHER, FLAT, REG M8	192	
-	4	4	2079383-9	SCR, BHSC, RoHS (M6 X 20)	186	
-	REF	REF	994970-2	COUNTER, MAGNETIC	164	
-	1	-	2119641-2	FEED CAM, AIR FEED	152	
-	1	1	2168083-8	SCR, SKT HD CAP, RoHS, M4 X 16	144	
-	-	1	2119653-2	FEED CAM, POST FEED	142	
-	1	1	2119655-6	APPLICATOR BASIC ASSEMBLY, EF	141	
-	1	1	1803518-1	RAM ASSEMBLY, EF PACIFIC	140	
-	1	1	455888-4	SPACER, CRIMPER	82	
-	1	1	2119791-5	DEPRESSOR, WIRE	73	
-	1	1	1803607-4	DOCUMENTATION PACKAGE	71	
-	2	2	2-18032-2	SCR, SET, FLT PNT, M3 X 10.0	70	
-	1	1	2119740-1	TAG, IDENTIFICATION	67	
-	2	2	2168078-1	SCREW, DRIVE, RH, RoHS, 2 x .188	66	
-	2	2	2168400-5	SHCS, LOW HEAD, RoHS, M4 X 20	64	
-	1	1	5-18022-5	SCR, HEX HD CAP, M4 X 6.0	59	
-	-	1	2063961-1	FEED FINGER	58	
-	3	3	2168400-4	SHCS, LOW HEAD, RoHS, M4 X 8	57	
-	2	2	1-2168083-0	SCR, SKT HD CAP, RoHS, M4 X 10	56	
-	2	2	5018030-1	NUT, HEX, REG, RoHS, M3	54	
-	2	2	986965-8	NUT, LOCK, HEX, TORQUE (M4)	53	
-	1	-	2063961-1	FEED FINGER	51	
-	1	2	18023-9	SCR, SKT HD CAP M4 X 6.0	49	
-	-	1	2119652-1	FEED CAM, PRE FEED	48	
-	1	1	1803602-1	SCR, BHSC, RoHS (M8 X 25)	41	
-	7	7	1-18028-2	WASHER, FLAT, REG M4	33	
-	2	2	2168083-9	SCR, SKT HD CAP, RoHS, M4 X 20	31	
-	2	2	2168083-2	SCR, SKT HD CAP, RoHS, M4 X 8.0	29	
-	1	1	240639-1	STRIPPER (MACHINING)	27	
-	2	2	1-2168083-5	SCR, SKT HD CAP, RoHS, M4 X 30	25	
-	1	1	1-1752371-6	PLATE, STRIP GUIDE	24	
-	1	1	240825-2	PLATE, STRIP HOLD DOWN	23	
-	2	2	2-22281-3	SPRING, COMPRESSION	22	
-	1	1	1803292-4	DRAG	20	
-	2	2	1901259-7	GUIDE, LOWER STRIP	18	
-	1	1	240644-5	PLATE, REAR SHEAR	11	
-	-	-	-	-	10	
-	1	1	4-690495-3	PLATE, FRONT SHEAR	9	
-	1	1	1803074-4	ANVIL, COMBINATION, END FEED	8	
-	1	1	2217206-5	BLADE, SLUG	7	
-	-	-	-	-	6	
-	1	1	240641-3	SPACER	5	
-	1	1	4-238011-2	BLOCK, CRIMPER SPACER	4	
-	1	1	4-1633962-3	CRIMPER, INSULATION F PREMIUM	3	
-	1	1	455888-4	SPACER, CRIMPER	2	
-	1	1	8-1633609-4	CRIMPER, WIRE	1	
-	77	22	21	PART NO	DESCRIPTION	ITEM NO

PACIFIC VERSION
Shown on sheets 3 of 4 & 4 of 4
(Atlantic version shown on sheets 1 of 4 & 2 of 4)

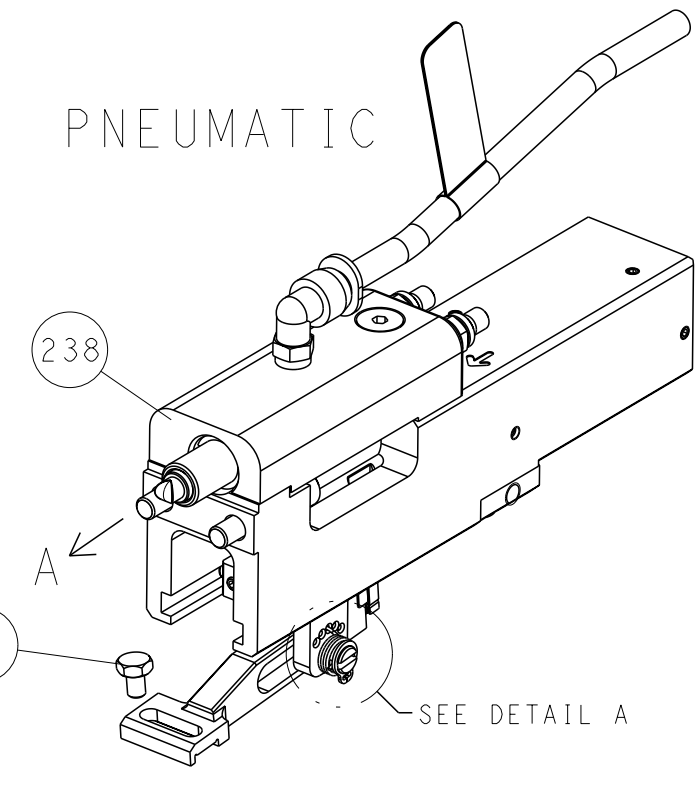
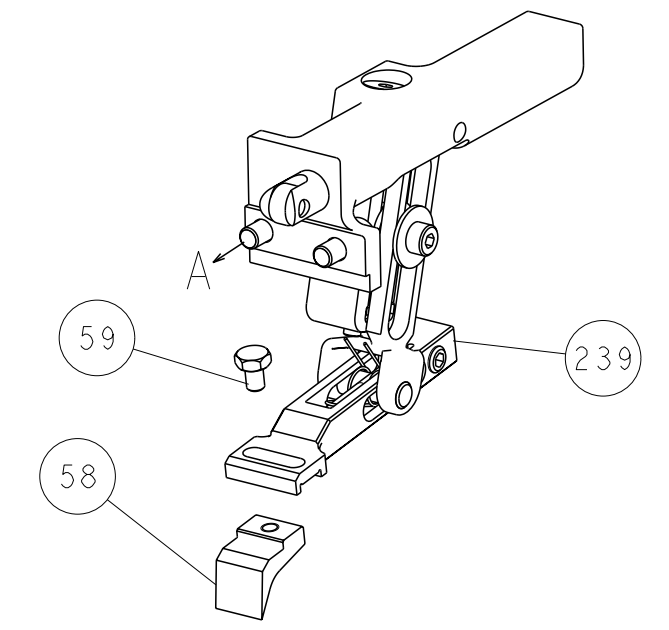
DIMENSIONS: mm		TOLERANCES UNLESS OTHERWISE SPECIFIED:		DRAWING NO		SCALE	
0 PLC	±	1 PLC	±	080C2013	1:1	3	4
2 PLC	±	3 PLC	±	080C2013	1:1	3	4
4 PLC	±	FINISH	±	080C2013	1:1	3	4
MATERIAL		FINISH		WEIGHT		REV	
						C	

LOC	DIST	REVISIONS			
A	66	REV	DATE	OWN	APVD
		-	SEE SHEET 1	-	-



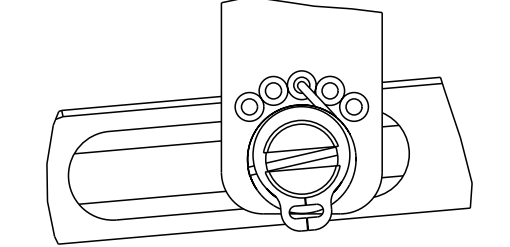
RAM SET-UP

FEED TYPE
MECHANICAL

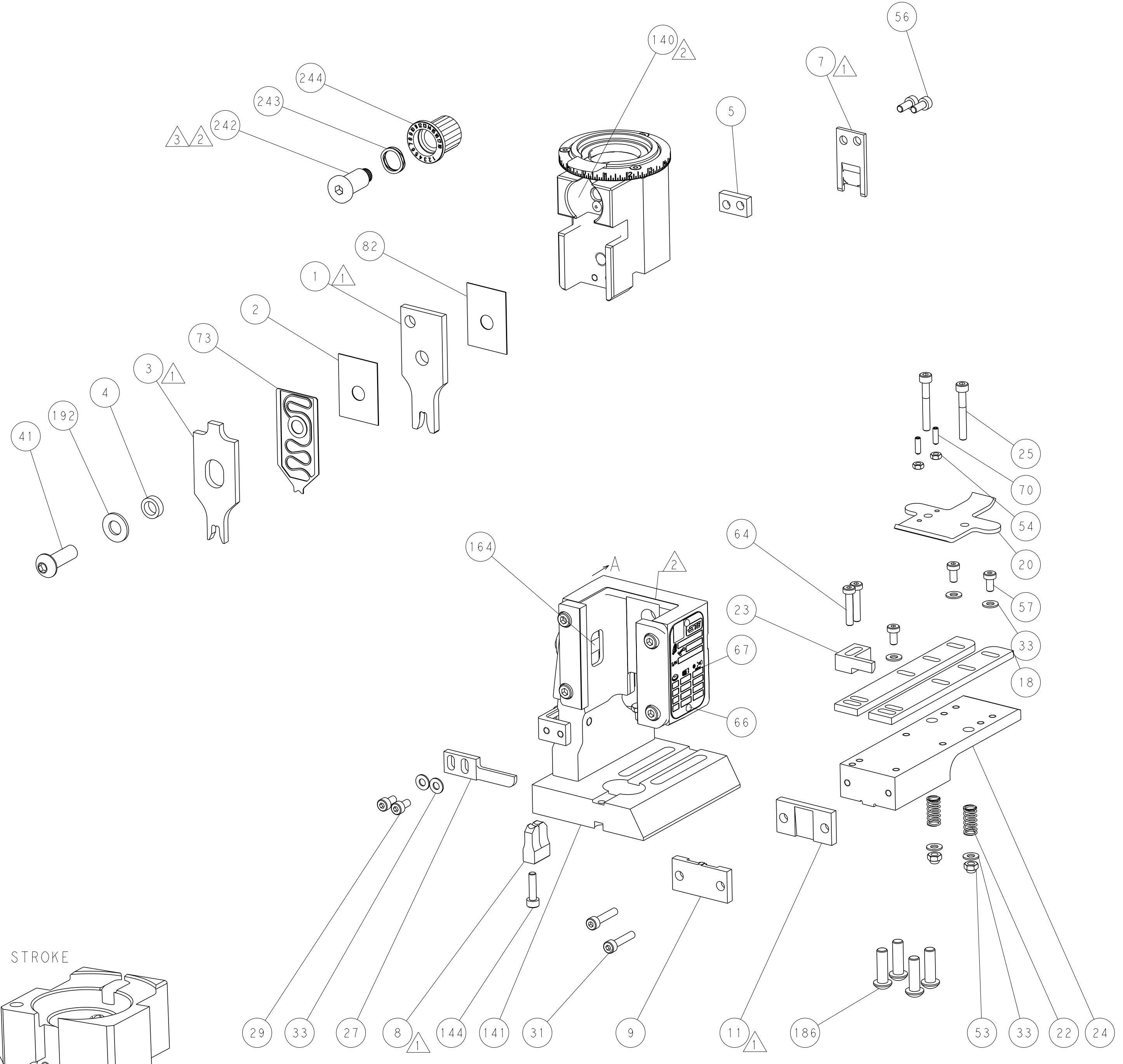


PNEUMATIC

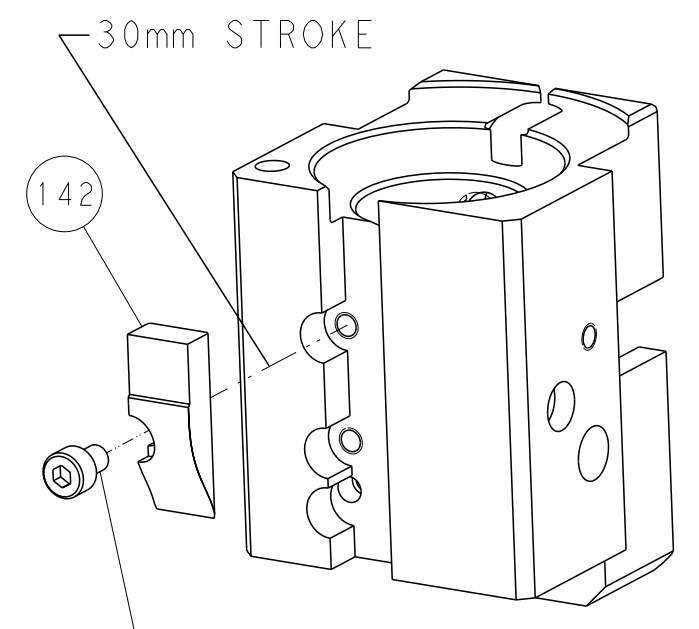
FEED SPRING
SETTING POSITION



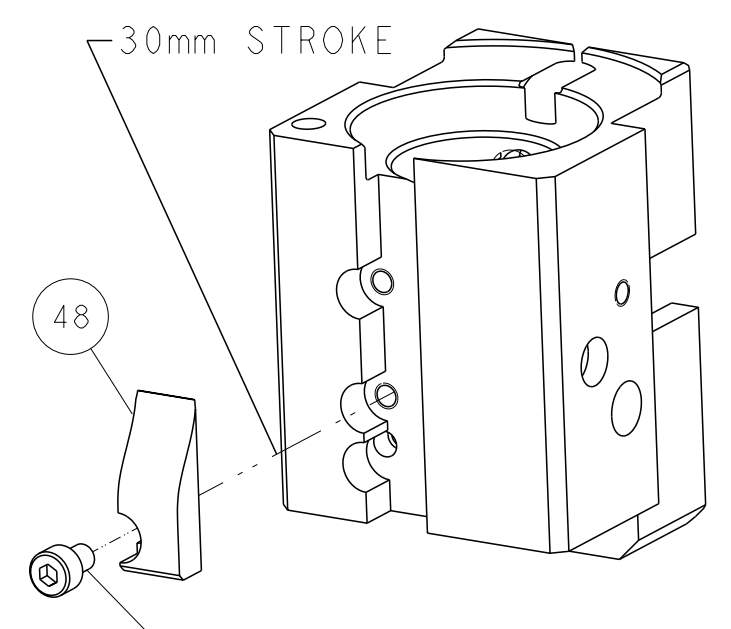
DETAIL A



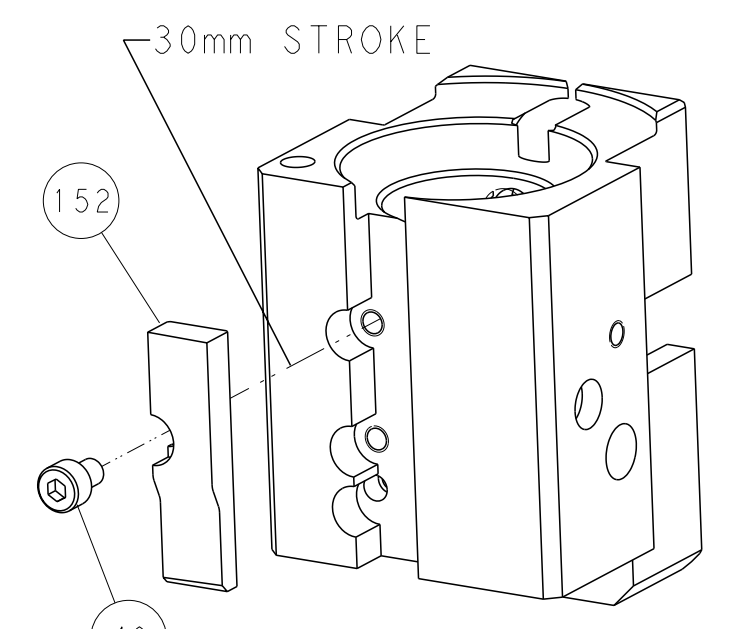
CAM POSITIONS



MECHANICAL
POST FEED



MECHANICAL
PRE FEED



AIR FEED

PACIFIC VERSION
 Shown on sheets 3 of 4 & 4 of 4
 (Atlantic version shown on sheets 1 of 4 & 2 of 4)

DIMENSIONS: mm 		TOLERANCES UNLESS OTHERWISE SPECIFIED: 0 PLC ± 1 PLC ± 2 PLC ± 3 PLC ± 4 PLC ± ANGLES ± FINISH ±		DWN L.GROSS 08OCT2013 CHK G.BAILEY 08OCT2013 APVD M.CLEFFORD 08OCT2013 PRODUCT SPEC APPLICATION SPEC WEIGHT Customer Accessible Production Drawing		NAME Ocean End Feed Applicator SIZE CAGE CODE DRAWING NO A1 00779 C=2150322 SCALE 1:1 SHEET 4 OF 4 REV C		RESTRICTED TO - - -	
-----------------------	--	---	--	--	--	---	--	------------------------------	--

Mouser Electronics

Authorized Distributor

Click to View Pricing, Inventory, Delivery & Lifecycle Information:

[TE Connectivity:](#)

[2150322-2](#)