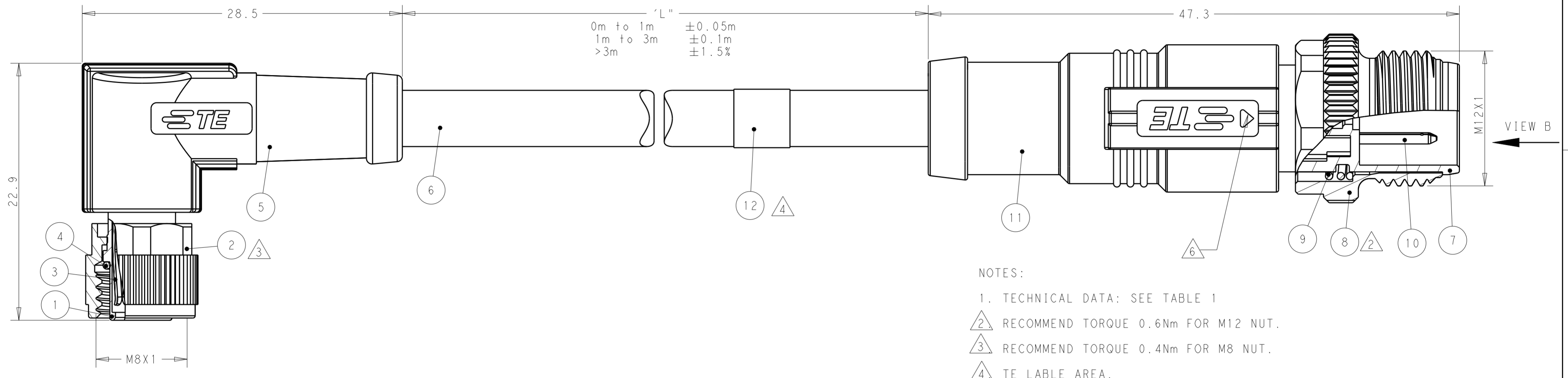


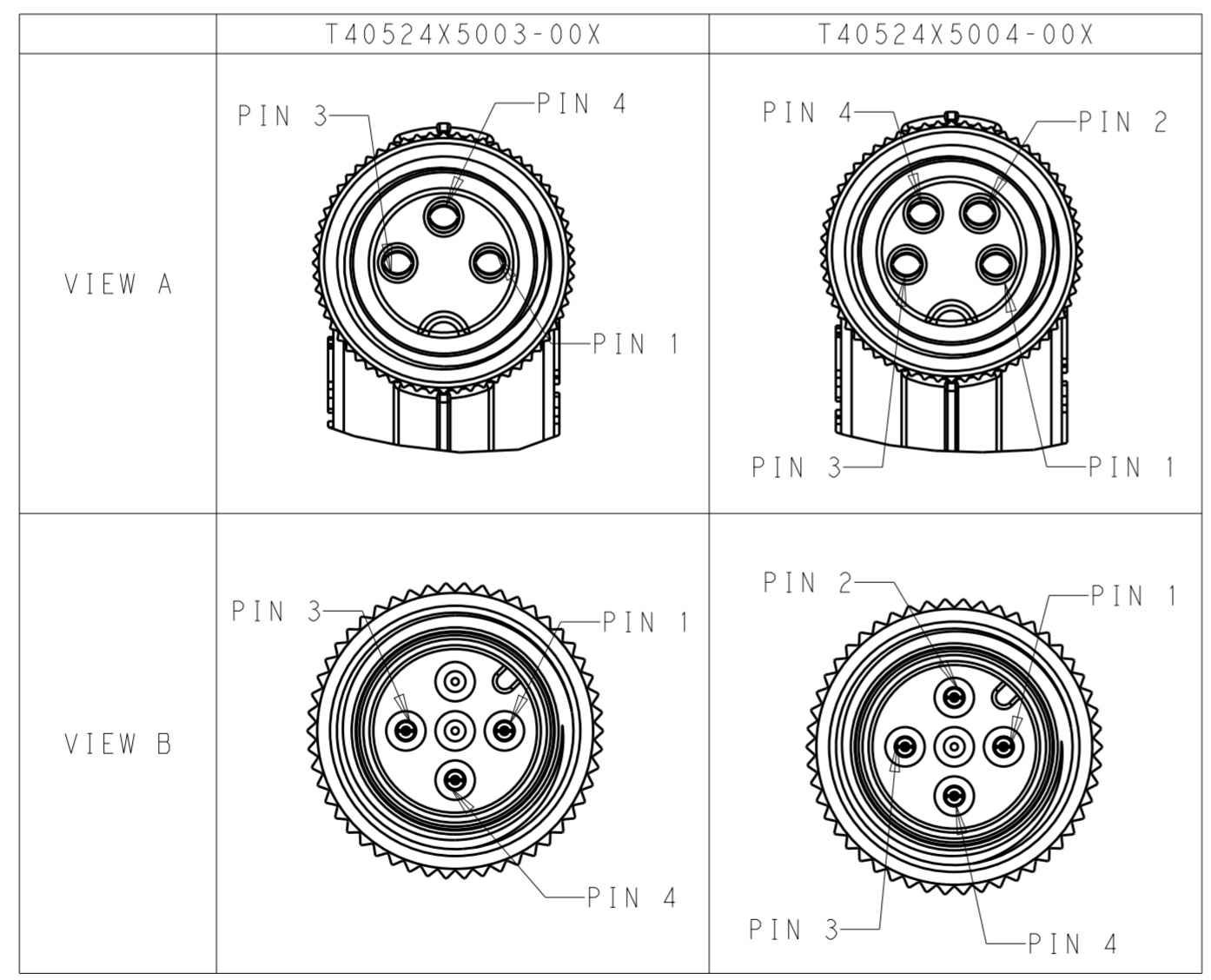
THIS DRAWING IS UNPUBLISHED. RELEASED FOR PUBLICATION 20
 © COPYRIGHT 20 BY - ALL RIGHTS RESERVED.

REVISIONS					
P	LTR	DESCRIPTION	DATE	DWN	APVD
A		INITIAL RELEASE	17OCT2016	N.P	X.X



- NOTES:
1. TECHNICAL DATA: SEE TABLE 1
 2. RECOMMEND TORQUE 0.6Nm FOR M12 NUT.
 3. RECOMMEND TORQUE 0.4Nm FOR M8 NUT.
 4. TE LABEL AREA.
 5. -** : CABLE LENGTH. -0.5:0.5m, -1.0:1.0m, -1.5:1.5m...
 6. CODE POSITION INDICATOR;
 7. ALL PRODUCT MUST COMPLIANCE WITH ROHS AND REACH.

VIEW A



- 注意事项
 1. 技术参数：见表1
2. M12螺丝推荐扭矩0.6Nm;
 3. M8螺丝推荐扭矩0.4Nm;
 4. TE 标签位置;
 5. -**线长：-0.5:0.5m, -1.0:1.0m, -1.5:1.5m
 6. 产品CODE位置指示;
 7. 产品必须符合ROHS与REACH.

	LABEL	
TPU	OVER-MOLDING	12
COPPER ALLOY	CONTACT	10
SUS	SPRING	9
BRASS	NUT	8
PA66	HOUSING	7
	CABLE	6
TPU	OVERMOLDING	5
SILICON RUBBER	O-RING	4
BRASS	CONTACT	3
BRASS	NUT	2
PA66,	HOUSING	1

WIRES: 0.25mm ² (24AWG)	STANDARD: -001:0.5 M -002:1.0 M -003:1.5 M -004:3.0 M -005:5.0 M -006:7.0 M -007:10.0 M CUSTOMIZATION: -**0:**.0 M -**5:**.5 M	FIXED: -40°C~80°C FLXIBLE: -25°C~80°C	GRAY	PUR (UL)	RPC-M8-4FR-**-M12-4MS-PUR	4	T4052425004-00X
					RPC-M8-3FR-**-M12-3MS-PUR	3	T4052425003-00X
		FIXED: -10°C~80°C FLXIBLE: -5°C~80°C	BLACK	PVC (UL)	RPC-M8-4FR-**-M12-4MS-PVC	4	T4052415004-00X
					RPC-M8-3FR-**-M12-3MS-PVC	3	T4042315003-00X
CABLE CHARACTERISTIC	LENGTH "L"	OPERATION TEMPERATURE	JACKET COLOR	JACKET MATERIAL	TYPE	POS.	PART NUMBER

TABLE 1

TECHNICAL DATA	T40524X5003-00X	T40524X5004-00X
RATED VOLTAGE	60V	30V
RATED CURRENT	3A	
DEGREE OF PROTECTION	IP67	

THIS DRAWING IS A CONTROLLED DOCUMENT.

DIMENSIONS: mm

TOLERANCES UNLESS OTHERWISE SPECIFIED:
 0 PLC ±
 1 PLC ±0.50
 2 PLC ±0.30
 3 PLC ±
 4 PLC ±
 ANGLES ±
 FINISH -

MATERIAL TBD
 material_2

finish_spec_2

APVD: Nick Pan 23SEP2016
 CHK: Kobby Zhao 23SEP2016
 APVD: Xiang Xu 23SEP2016

PRODUCT SPEC: 108-106140

APPLICATION SPEC: -

WEIGHT: -

CUSTOMER DRAWING

SCALE: 3:1

SHEET 1 OF 1

REV A

NAME: M8 FEMALE RIGHT ANGLE TO M12 MALE STRAIGHT CABLE ASSEMBLY DOUBLE ENDED, UNSHIELDED

SIZE: A2

CAGE CODE: -

DRAWING NO: T40524X500X00X

RESTRICTED TO: -

Mouser Electronics

Authorized Distributor

Click to View Pricing, Inventory, Delivery & Lifecycle Information:

[TE Connectivity:](#)

[T4052415004-007](#)