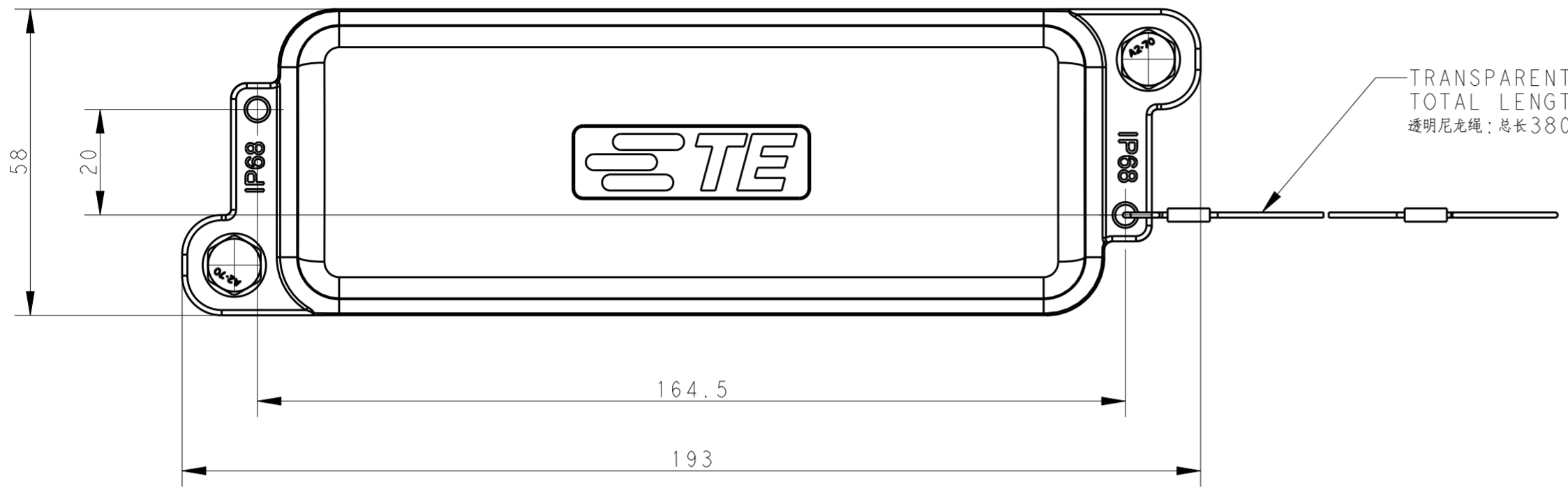
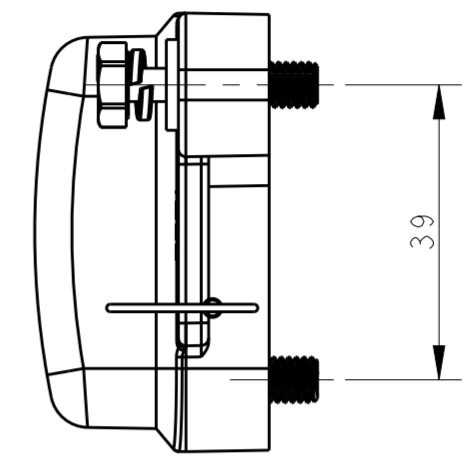


THIS DRAWING IS UNPUBLISHED. RELEASED FOR PUBLICATION 20
 © COPYRIGHT 20 BY - ALL RIGHTS RESERVED.

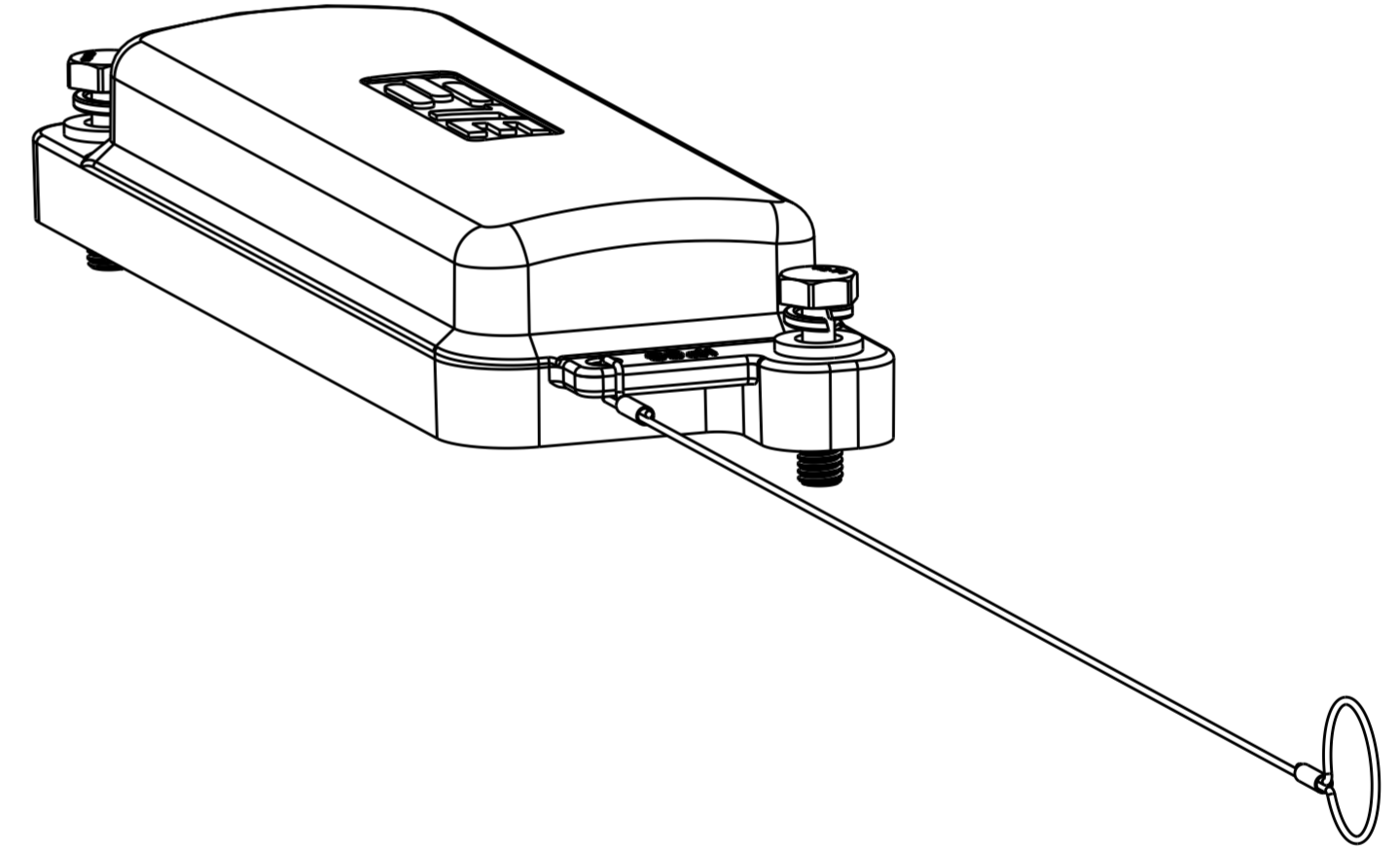
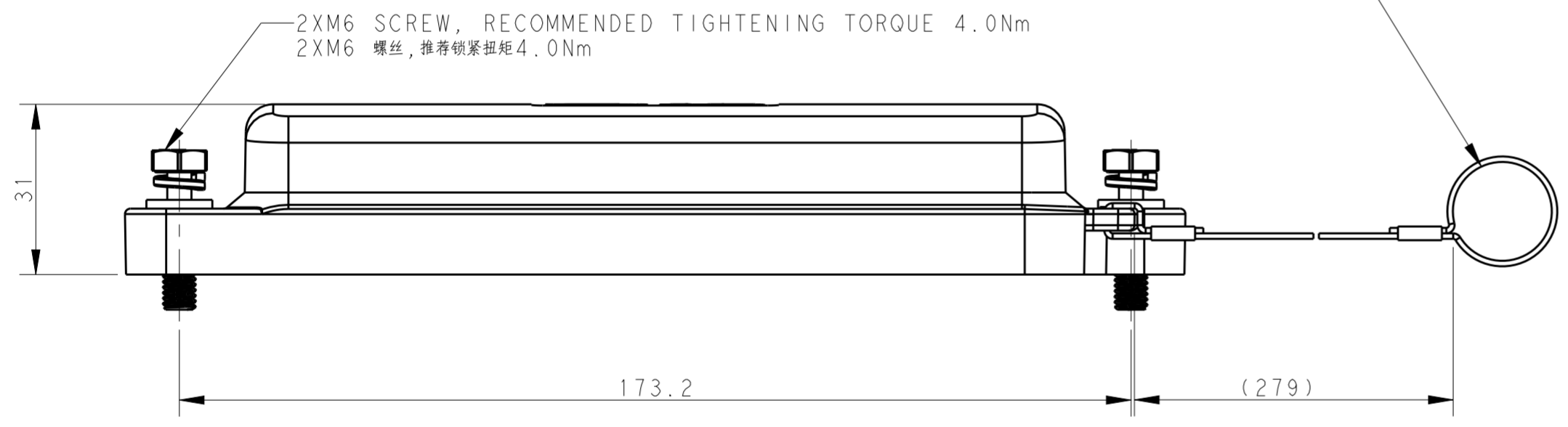
REVISIONS				
P	LTR	DESCRIPTION	DATE	APVD
A		INITIAL RELEASE	17JUN2015	GY CW
B		ECR-16-009889	12JUL2016	GY CW
B1		ECR-17-007543	02JUN2017	CH CW



TRANSPARENT NYLON ROPE:
 TOTAL LENGTH 380mm, DIA. ϕ 1.0mm
 透明尼龙绳: 总长380mm, 直径 ϕ 1.0mm



LOOP SIZE DEFAULT VALUE DIA. ϕ 18,
 UNLESS HAVE SPECIAL REQUIREMENT.
 套圈大小默认值直径是 ϕ 18, 除非有特别要求.



NOTES:
 1. TECHNICAL CHARACTERISTICS:
 COVER MATERIAL: DIE CAST ALUMINIUM ALLOY
 SURFACE TREATMENT: SEE TABLE

注释
 1. 技术参数:
 壳体材料: 铝合金
 表面处理: 见表格

T1990240000-000	H24BPR-KDBM	H24BPR HOUSING METAL PROTECTION COVER, DIAGONAL LOCKING, NYLON ROPE, BLACK H24BPR对角锁定金属保护盖, 尼龙绳, 黑色
PART NUMBER 料号		PART DESCRIPTION 描述
THIS DRAWING IS A CONTROLLED DOCUMENT.		DWN GINO.YAO 17JUN2015 CHK CHRIS.WANG 17JUN2015 APVD XIANG.XU 17JUN2015
DIMENSIONS: mm		TOLERANCES UNLESS OTHERWISE SPECIFIED: 0 PLC \pm 1 PLC \pm 2 PLC \pm 3 PLC \pm 4 PLC \pm ANGLES \pm FINISH
MATERIAL		PRODUCT SPEC APPLICATION SPEC WEIGHT
Customer Drawing		NAME H24BPR-KDBM SIZE A2 CAGE CODE - DRAWING NO. T1990240000000 RESTRICTED TO - SCALE 1:1 SHEET 1 OF 1 REV B1

Mouser Electronics

Authorized Distributor

Click to View Pricing, Inventory, Delivery & Lifecycle Information:

[TE Connectivity:](#)

[T1990240000-000](#)