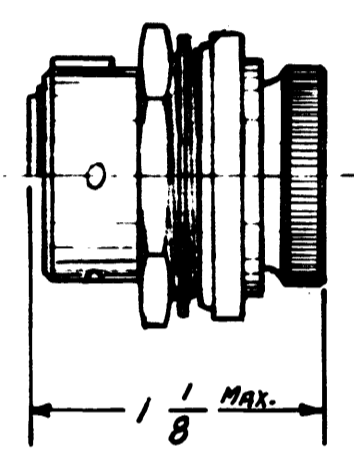


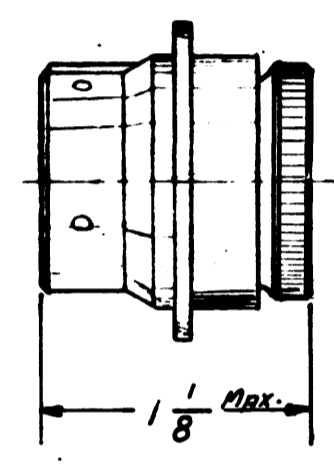
1A MOD

REVISIONS		DATE	APPROVAL
SYM	DESCRIPTION		
	NONE NEW RELEASE ECR 12373	1-10-63	<i>W. J. [Signature]</i>

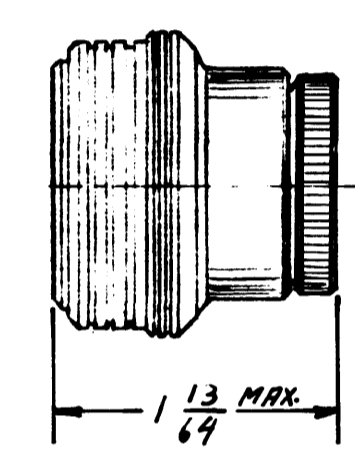
DM9601



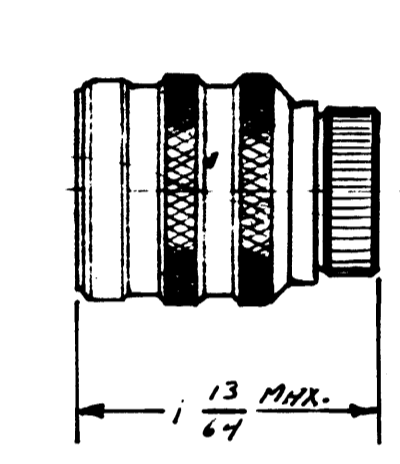
DM9606



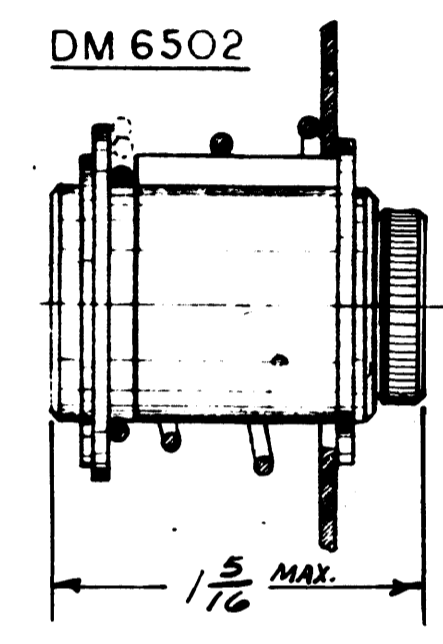
DM9700



DM9718




DM 6502



1A MOD	FOLLOWER & GROMMET OMITTED
--------	----------------------------

1. TO BE USED WITH STD. ENVELOPE DWG. OF CONNECTOR BEING MODIFIED.
NOTES

PART NUMBER		DESCRIPTION														
LIST OF MATERIAL																
<table border="1"> <tr> <td>FRAC TIONS</td> <td>DECIMALS</td> <td>ANGLES</td> </tr> <tr> <td></td> <td></td> <td></td> </tr> </table>	FRAC TIONS	DECIMALS	ANGLES				<table border="1"> <tr> <td>DESIGNED BY</td> <td>W. Brown 1-10-63</td> </tr> <tr> <td>CHECKED BY</td> <td><i>[Signature]</i></td> </tr> <tr> <td>DATE</td> <td>1-10-63</td> </tr> <tr> <td>APP</td> <td>EW/NB 1-22-63</td> </tr> </table>	DESIGNED BY	W. Brown 1-10-63	CHECKED BY	<i>[Signature]</i>	DATE	1-10-63	APP	EW/NB 1-22-63	<p style="text-align: center;">ENVELOPE MODIFICATION OMISSION PLUGS & RECEPTACLES FOR DM ONLY</p>
FRAC TIONS	DECIMALS	ANGLES														
DESIGNED BY	W. Brown 1-10-63															
CHECKED BY	<i>[Signature]</i>															
DATE	1-10-63															
APP	EW/NB 1-22-63															
<p>The Deutach Company ELECTRONIC COMPONENTS DIVISION Municipal Airport - Banning, California</p> 		<p>B 1A MOD</p>														
<p>DWG SIZE COE/1139</p>		<p>SHEET 1 OF 1</p>														

Mouser Electronics

Authorized Distributor

Click to View Pricing, Inventory, Delivery & Lifecycle Information:

[TE Connectivity:](#)

[AFD56-22-41SN-1A](#)