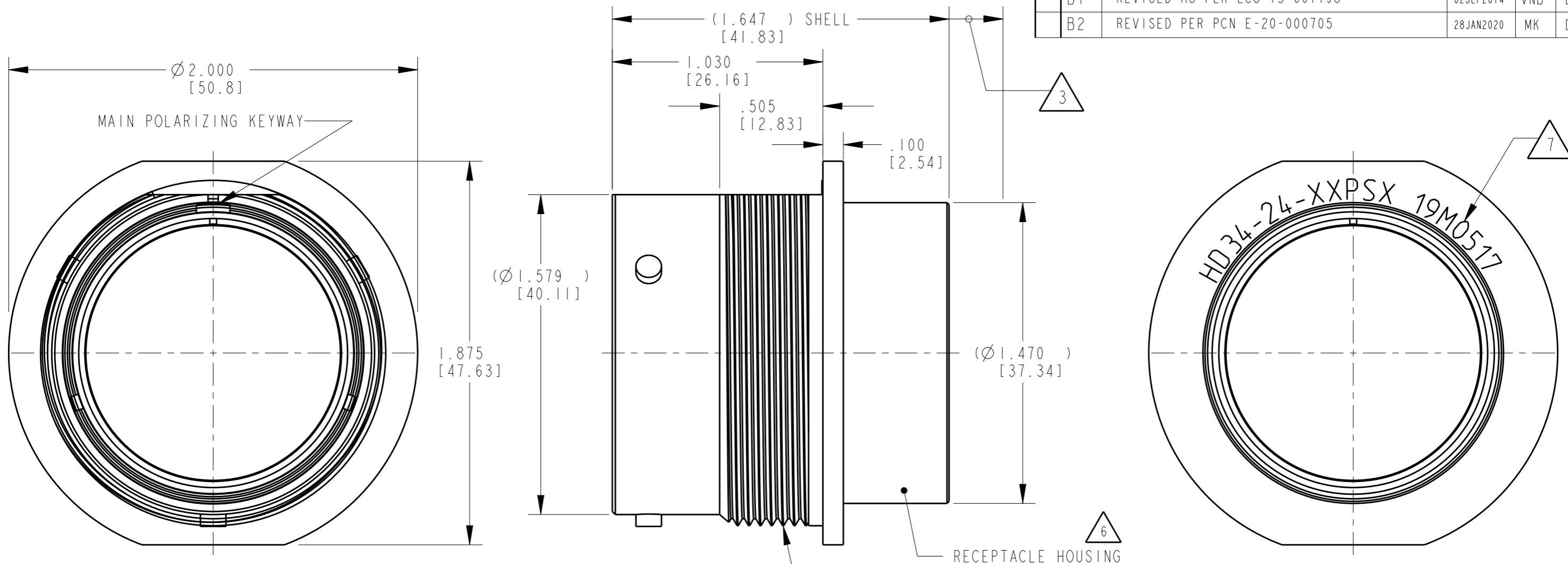


THIS DRAWING IS UNPUBLISHED. RELEASED FOR PUBLICATION 2014. © COPYRIGHT 2014 BY - TE CONNECTIVITY ALL RIGHTS RESERVED.

| LOC | DIST | REVISIONS | | | |
|-----|------|-------------|------------------------------|-----------|--------|
| P | LTR | DESCRIPTION | DATE | DWN | APVD |
| - | - | A | REVISED PER E.O. P15908 | 05FEB1999 | - RDR |
| - | - | B | REVISED PER E.O. P18134 | 23MAY2003 | - RDR |
| - | - | B1 | REVISED AS PER ECO-15-001798 | 02SEP2014 | VNB DM |
| - | - | B2 | REVISED PER PCN E-20-000705 | 28JAN2020 | MK DM |



7 DATE CODE: IDENTIFIES THE YEAR, MONTH, DAY AND HOUR OF ASSEMBLY.
 YEAR: FIRST AND SECOND DIGITS. (14=2014)
 MONTH: THIRD DIGIT, EXCLUDING I.A=JAN., B=FEB., C=MARCH... (K=OCT.)
 DAY: FOURTH AND FIFTH DIGIT (14=14TH DAY)
 HOUR: SIXTH AND SEVENTH DIGIT (11=11AM)

6 MATERIAL:
 RECEPTACLE HOUSING: 6061-T6 ALUMINUM ALLOY,
 GROMMET: SILICONE VMQ (RED),
 RETAINER RING: PA66 GF10.

- 5. THIS PART MATES WITH HD36-24-XXXP/SX-XXXX
- 4. PART NUMBER INFO: XX= ARRANGEMENT: X= SEAL TYPE
- 3 TOTAL DIM. WITH EXTENDED WIRE SEAL (WITH CONTACTS #4 OR #8 ONLY) = $1.870 \pm .050$ [47.50 ± 1.27].
- 2. FOR ARRANGEMENT OF CONTACT LOCATION SEE ENVELOPE DRAWING 0425-014-2400.
- 1. CONSULT THE FACTORY FOR ELECTRICAL AND MATERIAL SPECIFICATIONS.

NOTES:

| | | | | | |
|--|--|-----------------------------------|--|---|--|
| THIS DRAWING IS A CONTROLLED DOCUMENT. | | DWN 30OCT2014 VIJETH BHARADWAJ | | | |
| DIMENSIONS: INCHES [mm] | | CHK 31OCT2014 I. GRANTCHAROVA | | | |
| TOLERANCES UNLESS OTHERWISE SPECIFIED: | | APVD 31OCT2014 D. MEYER | | NAME RECEPTACLE CONNECTOR SHELL SIZE 24 BAYONET COUPLING HD30 SERIES | |
| 0 PLC ±- | | PRODUCT SPEC 108-151014 | | SIZE A3 | |
| 1 PLC ±- | | APPLICATION SPEC 114-151014 | | CAGE CODE - | |
| 2 PLC ±- | | WEIGHT 40g | | DRAWING NO G=HD34-24-XXP/SX | |
| 3 PLC ±.010 [±.254] | | Customer Drawing | | RESTRICTED TO - | |
| 4 PLC ±- | | SCALE NONE | | SHEET 1 OF 1 | |
| ANGLES ±° 30' 0" | | REV B2 | | | |
| FINISH - | | | | | |

Mouser Electronics

Authorized Distributor

Click to View Pricing, Inventory, Delivery & Lifecycle Information:

[TE Connectivity:](#)

[HD34-24-21PN-L005](#)