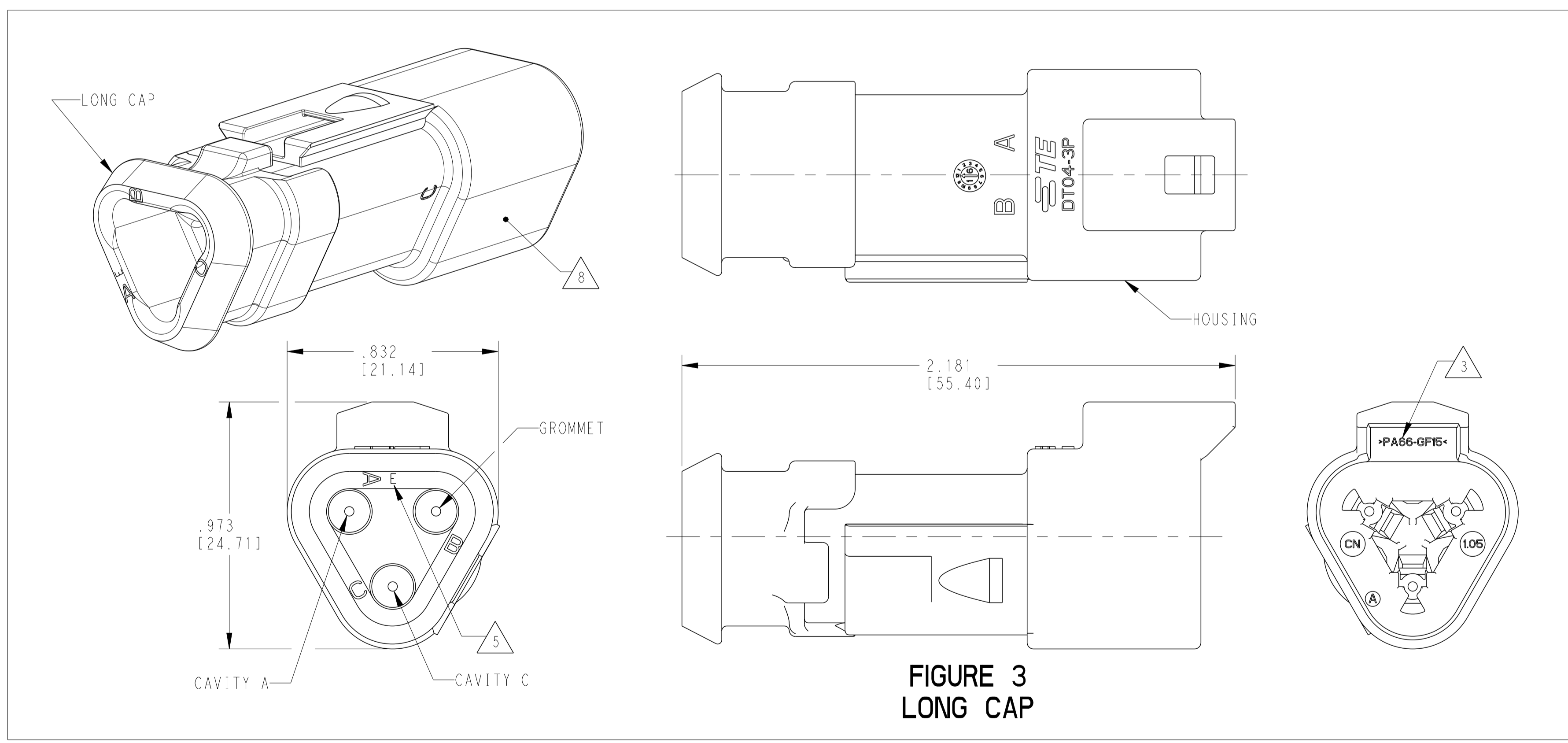
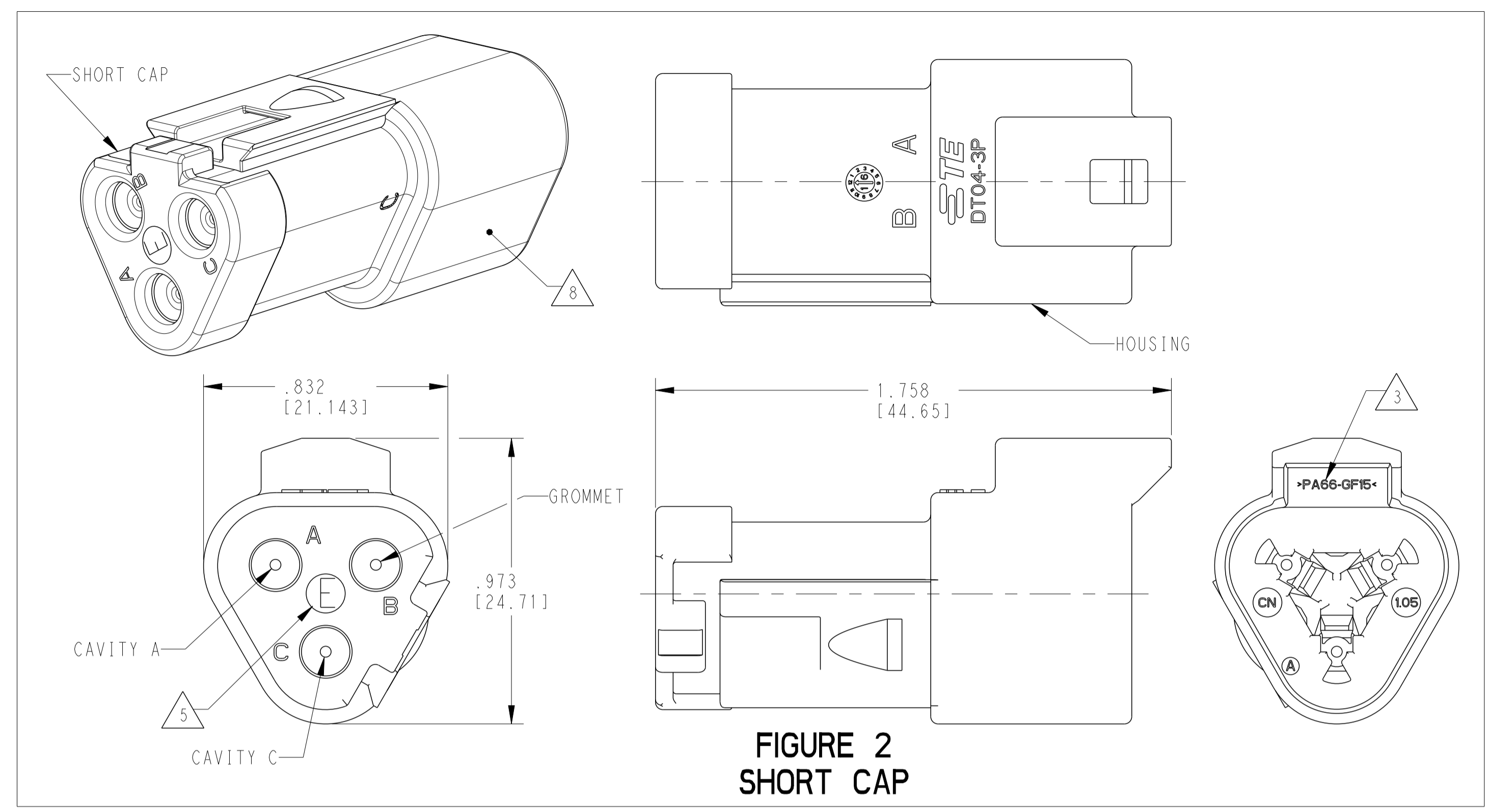
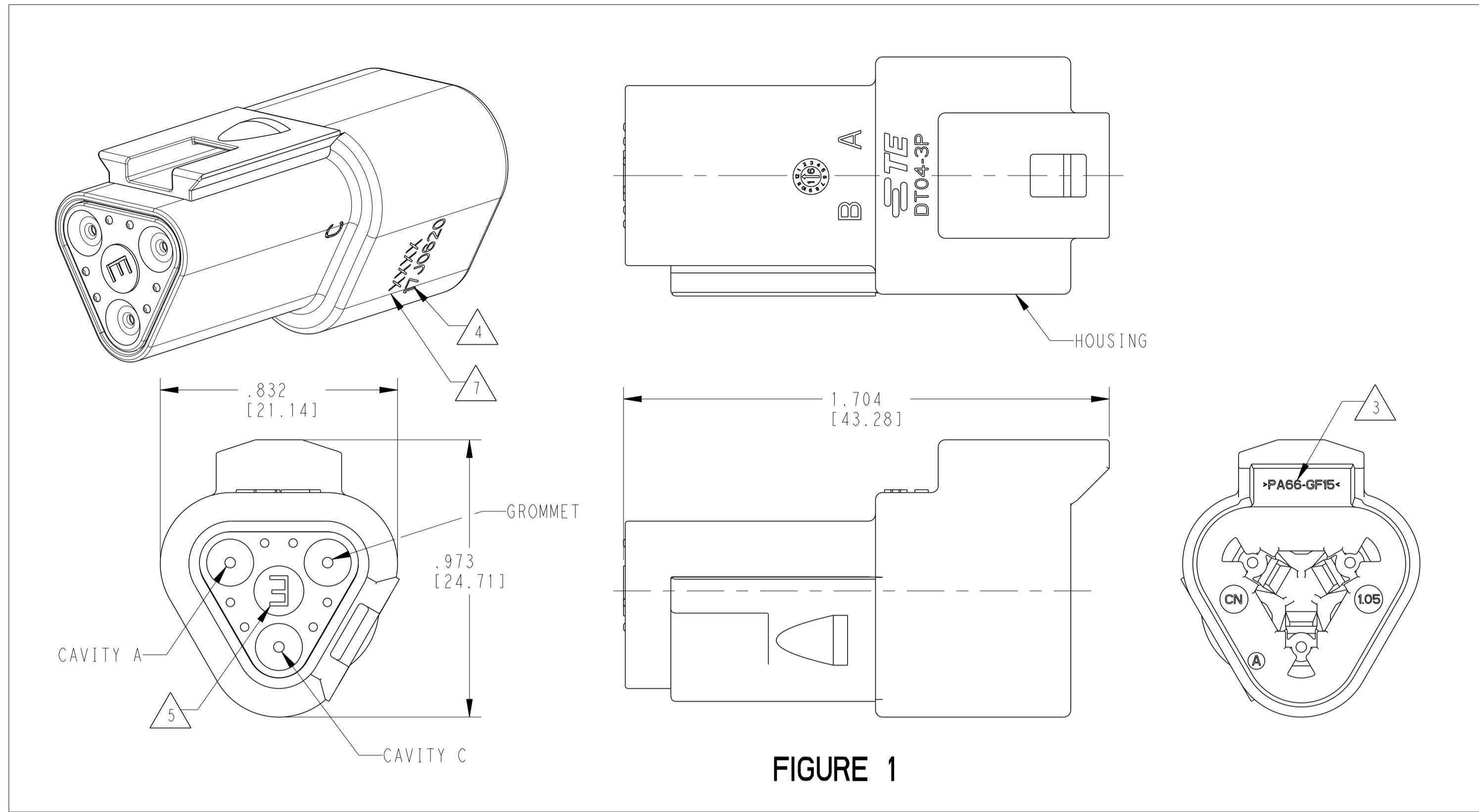


LOC	DIST	REVISIONS			
P	LTN	DESCRIPTION	DATE	OWN	APVD
A		INITIAL RELEASE	09MAR2017	JA	DM
B		REVISED PER PCN E-17-010843	21MAR2018	JA	DM
B1		REVISED PER PCN E-19-004598	15MAR2019	DD	DM
C		REVISED PER PCN E-19-014633	27JUNE2019	NS	RM



CONTACT SIZE	WIRE RANGE	INSULATION OD SEALING RANGE	SEAL IDENTIFICATION
16	14-20 AWG [2.5-0.5mm ²]	.088-.145 [2.23-3.68]	STANDARD SEAL
		.053-.120 [1.35-3.05]	EXTRA THIN SEAL E-SEAL

TE INTERNAL PART NUMBER	DEUTSCH PART NUMBER	PN REV	COLOR	STANDARD SEAL GROMMET	EXTRA THIN SEAL E-SEAL GROMMET	SHORT CAP	LONG CAP	FIGURE
DT04-3P	DT04-3P	A	GREY	X				1
DT04-3P-C015	DT04-3P-C015	B	GREY		X			1
DT04-3P-CE01	DT04-3P-CE01	B	GREY		X	X		2
DT04-3P-CE04	DT04-3P-CE04	B	GREY		X		X	3
DT04-3P-E003	DT04-3P-E003	A	GREY	X		X		2
DT04-3P-E008	DT04-3P-E008	A	GREY	X			X	3
DT04-3P-EP04	DT04-3P-EP04	B	GREY	X		X		2
DT04-3P-P004	DT04-3P-P004	B	GREY	X				1
DT04-3P-CE02	DT04-3P-CE02	B	BLACK		X			1
DT04-3P-CE03	DT04-3P-CE03	B	BLACK		X	X		2
DT04-3P-CE09	DT04-3P-CE09	B	BLACK		X		X	3
DT04-3P-E004	DT04-3P-E004	A	BLACK	X				1
DT04-3P-E005	DT04-3P-E005	A	BLACK	X		X		2
DT04-3P-EE01	DT04-3P-EE01	A	BLACK	X			X	3

3 MATERIAL: HOUSING: PA66 GF15, SEE TABLE FOR COLOR
 SHORT, LONG CAP: PA66 GF15, SEE TABLE FOR COLOR
 GROMMET: VMO N-SEAL: ORANGE-RED
 E-SEAL: BURNT RED

2. THIS RECEPTACLE MATES WITH DT06-3S-XXXX PLUG.
 (XXXX = ALL MODIFICATIONS)

1. SECONDARY WEDGE LOCK SOLD SEPARATELY: W3P-XXXX.
 (XXXX = ALL MODIFICATIONS)

NOTES: UNLESS OTHERWISE SPECIFIED

7 XXXX IDENTIFIES THE MODIFICATION NUMBER, IF APPLICABLE.
 EXAMPLE: "E003" FOR DT04-3P-E003,
 OR BLANK FOR DT04-3P.

6. FOR CONTACTS AND WIRE PERFORMANCE AND APPLICATION
 CHARACTERISTICS SEE CUSTOMER DRAWING 0425-015-0000.

5 "E" IDENTIFIES E-SEAL.

4 DATE CODE: IDENTIFIES THE YEAR, MONTH, DAY AND HOUR OF ASSEMBLY.
 YEAR: FIRST AND SECOND DIGITS. (17 = 2017)
 MONTH: THIRD DIGIT, EXCLUDING I. A = JAN, B = FEB,
 C = MARCH ... (K = OCTOBER)
 DAY: FOURTH AND FIFTH DIGITS (14 = 14th DAY)
 HOUR: SIXTH AND SEVENTH DIGITS (11 = 11AM)

8 ADDITIONAL MARKING PER NOTE 4 AND 7 EXCLUSIVELY
 FOR PARTS WITH CAPS PRODUCED IN CHINA.

THIS DRAWING IS A CONTROLLED DOCUMENT. DWG: J. JAIME C. APOSTOL 12 JUL 2016
 CHK: D. MEYER 12 JUL 2016

DIMENSIONS: i.n. [mm]

TOLERANCES UNLESS OTHERWISE SPECIFIED:
 0 PLC # #
 1 PLC # #
 2 PLC # #
 3 PLC # #
 4 PLC # #
 ANGLES # 30' 0"

MATERIAL: 3

FINISH: 3

APVD: D. MEYER 12 JUL 2016

PRODUCT SPEC: 108-151009

APPLICATION SPEC: 114-151009

WEIGHT: 114-151009

CUSTOMER DRAWING

SCALE: 3:1

SHEET 1 OF 1

REV C

TE Connectivity

3 WAY RECEPTACLE, STANDARD SEAL
 EXTRA THIN SEAL, SHORT CAP AND
 LONG CAP, DT SERIES

SIZE: A1

CAGE CODE: 4AFU8

DRAWING NO: DT04-3P-XXXX

Mouser Electronics

Authorized Distributor

Click to View Pricing, Inventory, Delivery & Lifecycle Information:

[TE Connectivity:](#)

[DT04-3P-EP04](#)