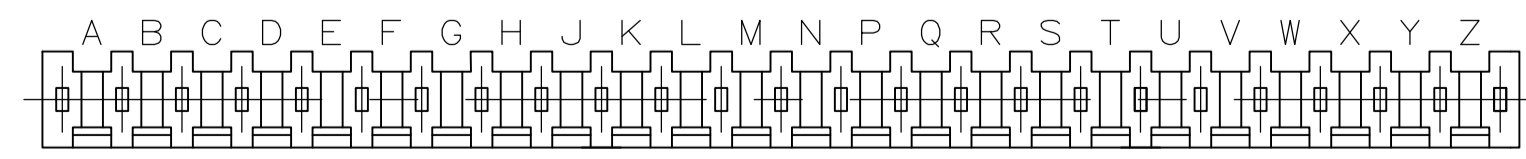
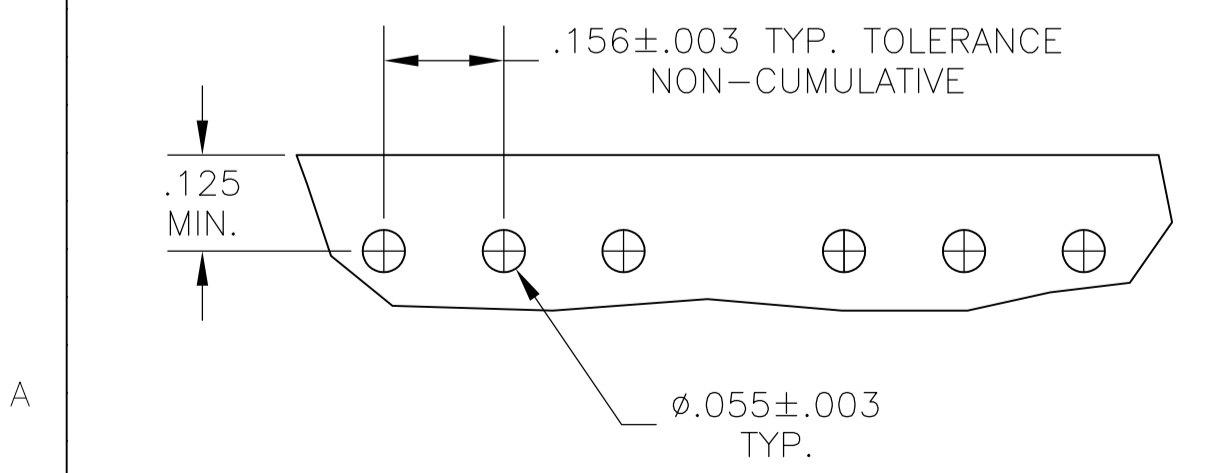
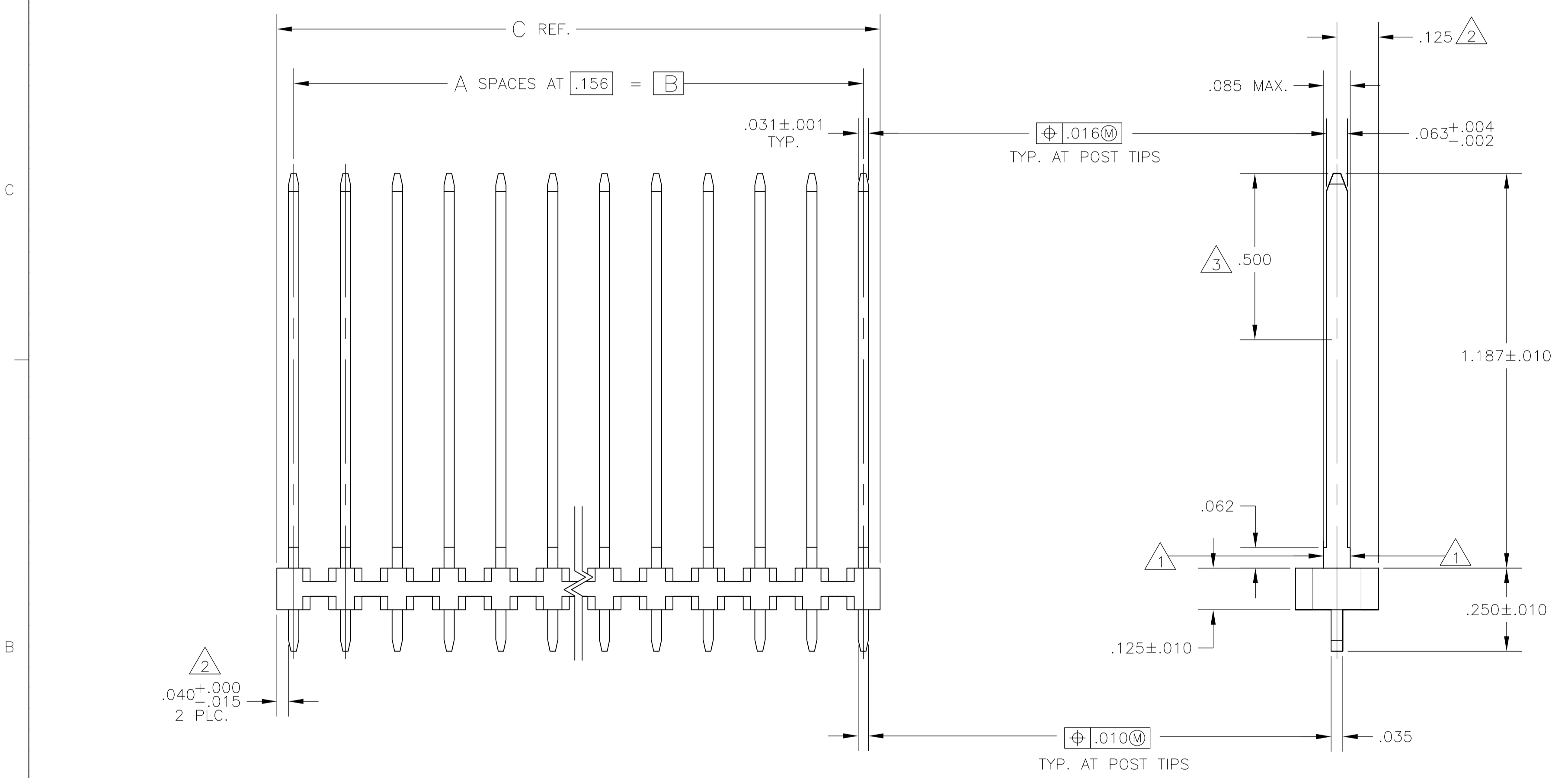
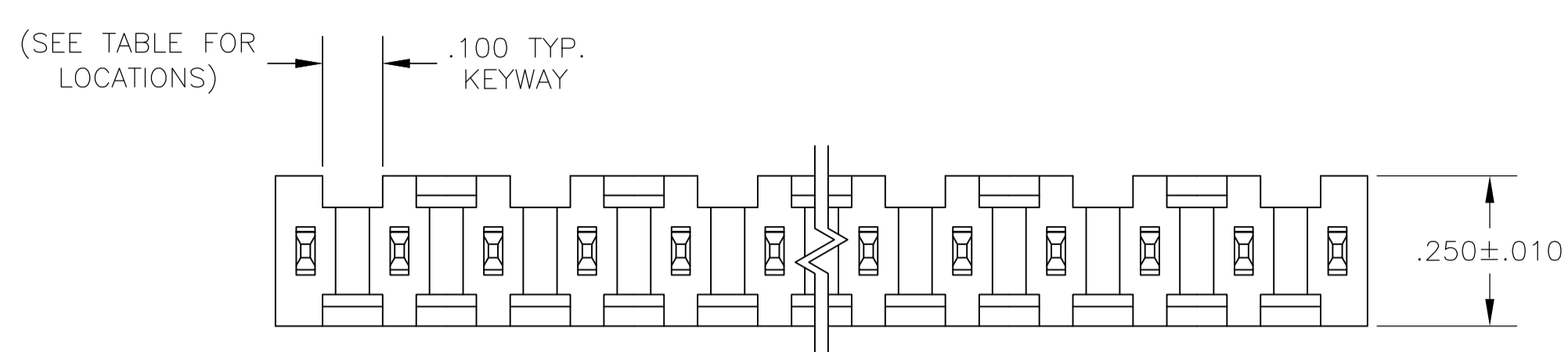


- 1 THESE SURFACES WILL NOT BE PLATED
- 2 THE NOTED DIMENSIONS APPLY AT THE INTERSECTION OF THE POST AND THE HOUSING POINT OF MEASUREMENT FOR PLATING THICKNESS
- 3 HOUSING POINT OF MEASUREMENT FOR PLATING THICKNESS
- 4 OBSOLETE PARTS: OBSOLETE CIS STREAMLINING PER D.RENAUD/D.SINISI



KEYWAY LOCATIONS (REF-SEE TABLE)  
 (MATING LENGTH OF POST ON NEAR SIDE)  
 SCALE: 2:1

OBSOLETE	-	0	5.415	5.304	34	35	3-87283-5
OBSOLETE	-	0	5.259	5.148	33	34	3-87283-4
OBSOLETE	-	0	5.103	4.992	32	33	3-87283-3
OBSOLETE	-	0	4.947	4.836	31	32	3-87283-2
OBSOLETE	-	0	4.791	4.680	30	31	3-87283-1
OBSOLETE	-	0	4.635	4.524	29	30	3-87283-0
OBSOLETE	-	0	4.479	4.368	28	29	2-87283-9
OBSOLETE	-	0	4.323	4.212	27	28	2-87283-8
OBSOLETE	-	0	4.167	4.056	26	27	2-87283-7
OBSOLETE	-	0	4.011	3.900	25	26	2-87283-6
4 OBSOLETE	A,C,E,H,K,M,Q,S,U,W,Y	11	3.855	3.744	24	25	2-87283-5
	A,C,E,G,J,L,N,Q,S,U,W,Y	12	3.699	3.588	23	24	2-87283-4
	A,D,G,K,N,R,U,X	8	3.543	3.432	22	23	2-87283-3
	A,C,E,G,J,L,N,Q,S,U,W	11	3.387	3.276	21	22	2-87283-2
	A,D,G,K,N,R,U	7	3.231	3.120	20	21	2-87283-1
	A,C,E,G,J,L,N,Q,S,U	10	3.075	2.964	19	20	2-87283-0
	B,D,F,J,L,N,Q,S	8	2.919	2.808	18	19	1-87283-9
	A,D,F,J,M,P,S	7	2.763	2.652	17	18	1-87283-8
	A,D,G,K,N,R	6	2.607	2.496	16	17	1-87283-7
	A,C,E,G,J,L,N,Q	8	2.451	2.340	15	16	1-87283-6
4 OBSOLETE	A,D,G,K,N	5	2.295	2.184	14	15	1-87283-5
	A,C,E,G,J,L,N	7	2.139	2.028	13	14	1-87283-4
	A,D,J,M	4	1.983	1.872	12	13	1-87283-3
	A,C,E,G,J,L	6	1.827	1.716	11	12	1-87283-2
	A,D,G,K	4	1.671	1.560	10	11	1-87283-1
	A,C,E,G,J	5	1.515	1.404	9	10	1-87283-0
	A,D,G	3	1.359	1.248	8	9	87283-9
	A,C,E,G	4	1.203	1.092	7	8	87283-8
	A,C,E	3	1.047	.936	6	7	87283-7
	A,C,E	3	.891	.780	5	6	87283-6
4 OBSOLETE	A,D	2	.735	.624	4	5	87283-5
	A,C	2	.579	.468	3	4	87283-4
4 OBSOLETE	A	1	.423	.312	2	3	87283-3
	A	1	.267	.156	1	2	87283-2
4 OBSOLETE	-	0	.111	-	1	1	87283-1

THIS DRAWING IS A CONTROLLED DOCUMENT.		DIN L A MAYER 7-28-87		Tyco Electronics Corporation	
DIMENSIONS: INCHES		CHK F HUBBEN 7-28-87		Harrisburg, Pa 17105-3608	
TOLERANCES UNLESS OTHERWISE SPECIFIED:		APVD F HUBBEN 7-28-87		NAME	
0 PLC ± -		PRODUCT SPEC		108-25016	
1 PLC ± -		APPLICATION SPEC		SIZE CASE CODE DRAWING NO	
2 PLC ± -		WEIGHT		A1 00779 C=87283	
3 PLC ± .005		CUSTOMER DRAWING		SCALE 4:1 SHEET 1 OF 1 REV 1	
4 PLC ± -		RESTRICTED TO			
ANGLES ± -					
MATERIAL: HOUSING-FLAME RETARDANT THERMOPLASTIC, COLOR-BLACK		FINISH: .00030 GOLD IN CONTACT AREA GOLD FLASH ON REMAINDER OF POST ALL OVER .00050 NICKEL			

# Mouser Electronics

Authorized Distributor

Click to View Pricing, Inventory, Delivery & Lifecycle Information:

[TE Connectivity:](#)

[87283-4](#)