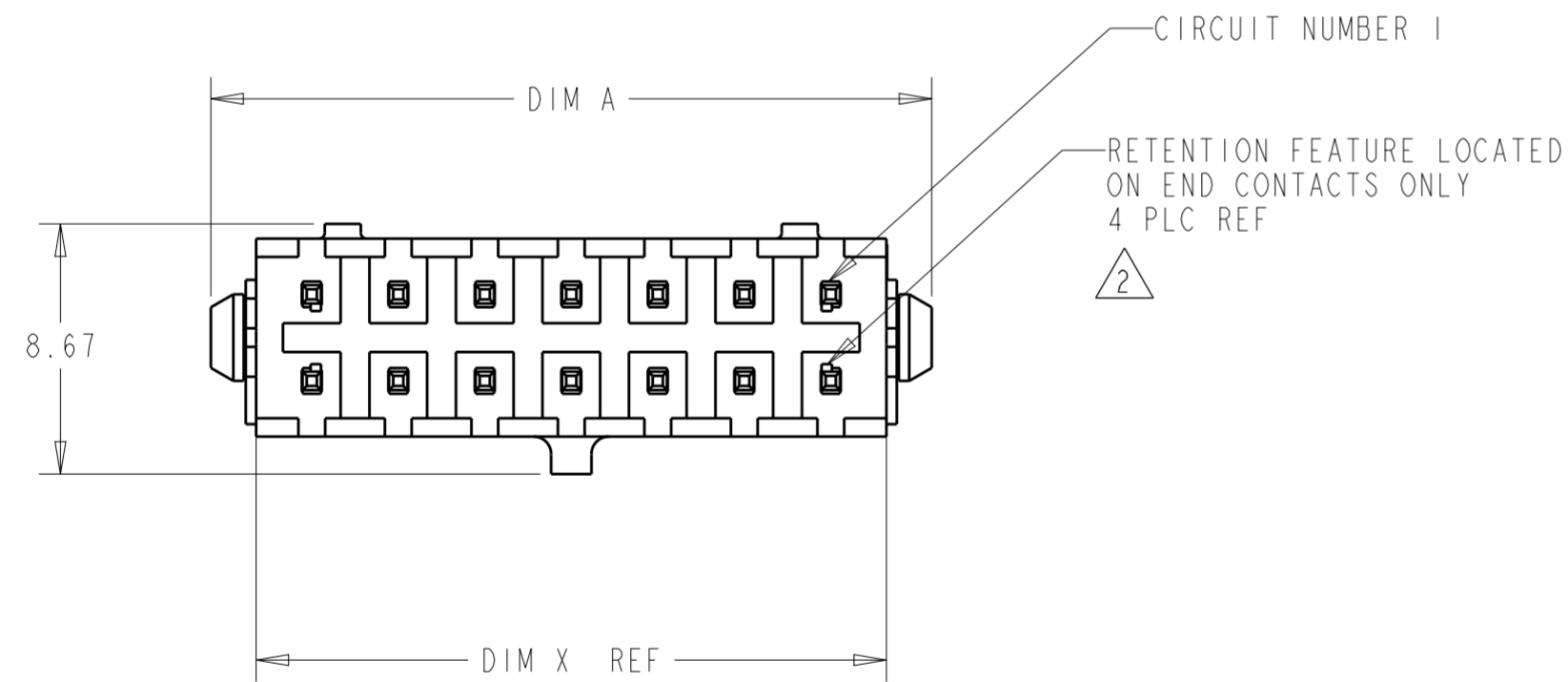
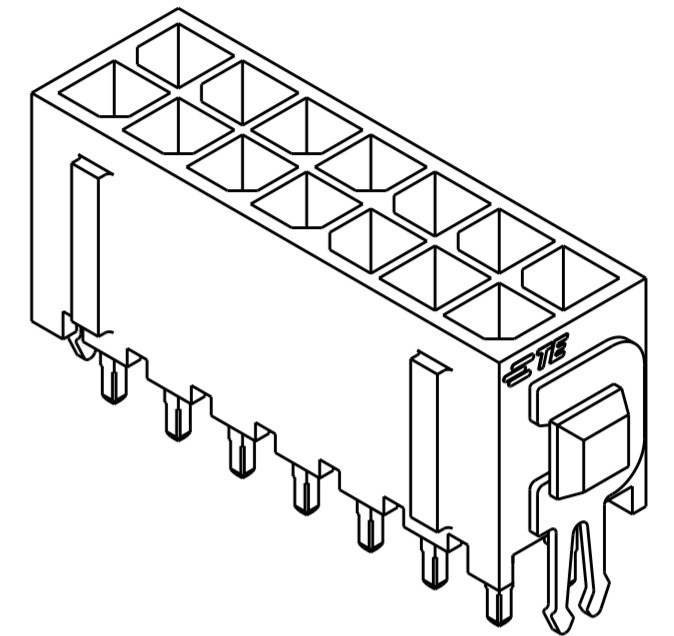
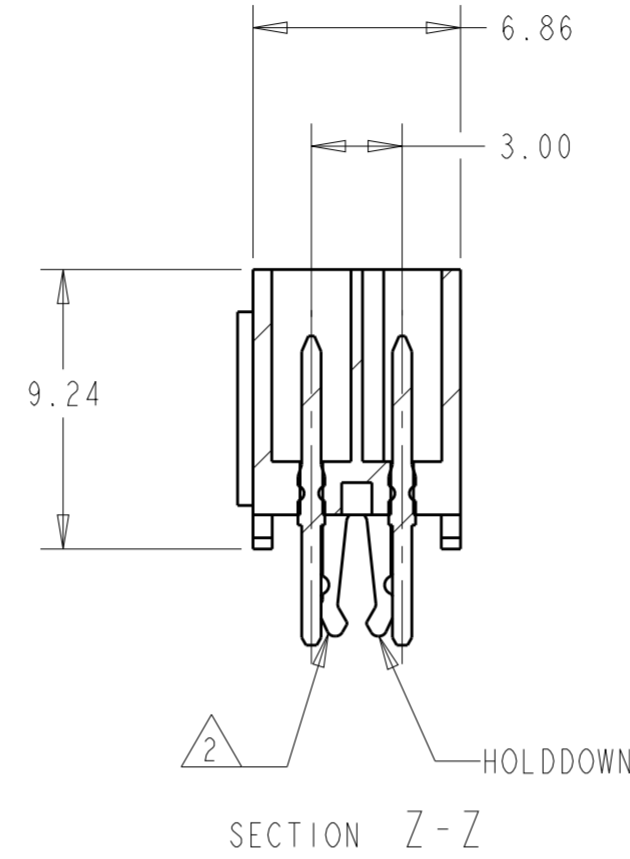
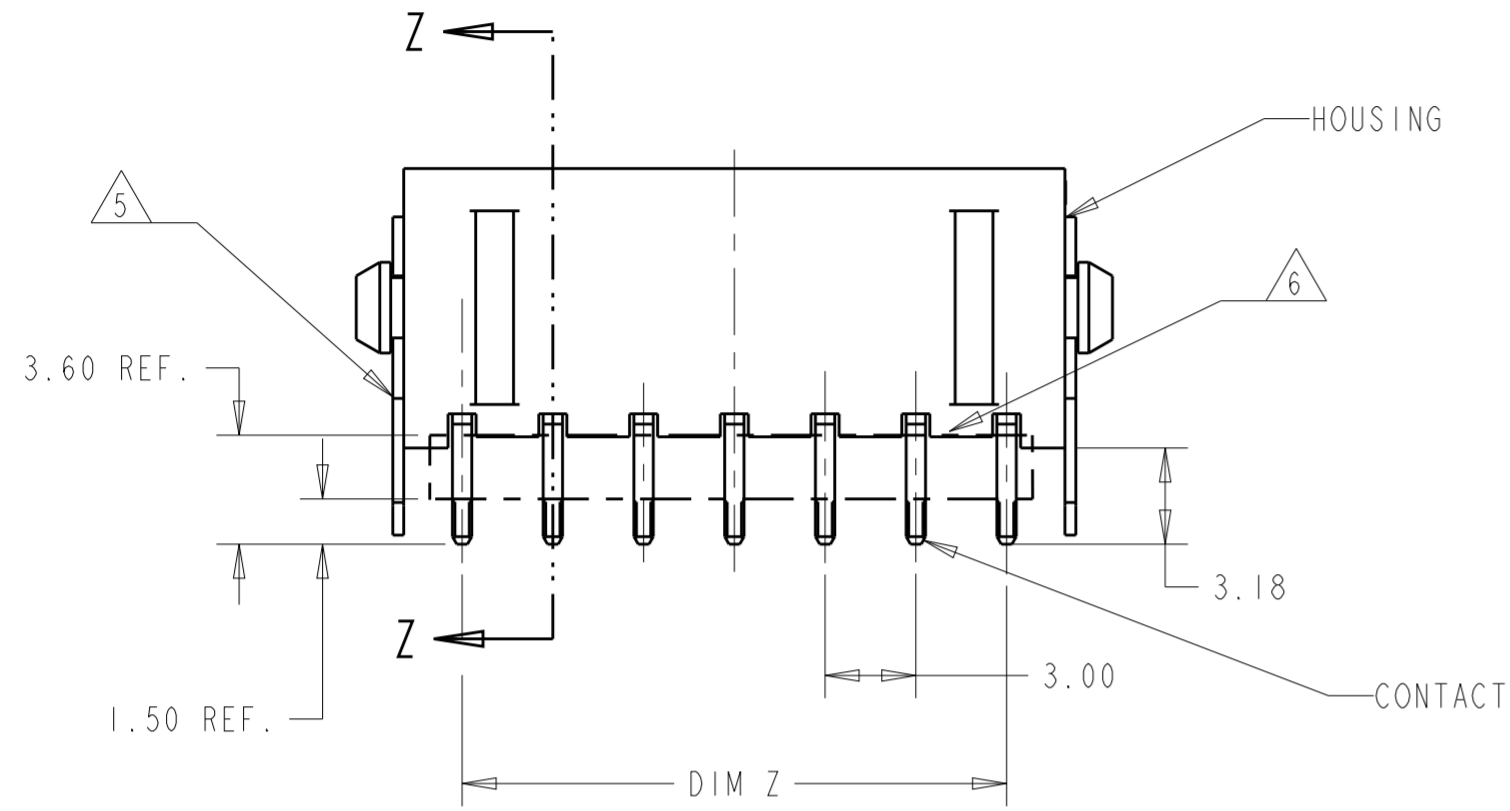


THIS DRAWING IS UNPUBLISHED. RELEASED FOR PUBLICATION 20
 © COPYRIGHT 20 BY - ALL RIGHTS RESERVED.

REVISIONS					
P	LTR	DESCRIPTION	DATE	DWN	APVD
F1		REVISED PER ECR-16-011494	21JUN2017	NK	CX
F2		ECO-19-006502	29APR2019	AP	WLS
F3		REVISED PER ECO-19-012431	09AUG2019	WLS	DZ
F4		REVISED PER ECN-20-100556	21OCT2020	WLS	VS



- 1 MATERIAL: HOUSING - UL 94V-0 RATED HIGH TEMP. NYLON, COLOR BLACK.
CONTACT - BRASS.
HOLD DOWNS - PHOSPHOR BRONZE.
- 2 MAXIMUM INSERTION 30 LBS.
- 3 RECOMMENDED BOARD THICKNESS 1.57.
- 4 FINISH: CONTACT - 2.54µm MINIMUM MATTE TIN OVER 1.27µm MINIMUM NICKEL.
HOLDDOWN - 2.54µm MINIMUM MATTE TIN OVER 1.27µm MINIMUM NICKEL.
- 5 ABSENT COMPONENT IN THIS SIDE ONLY.
- 6 CUTTING AREA REGION, NO PLATING IS PRESENT.
- 7 COUNTERPART RECOMMENDED IS PN 794617 (DASH ACCORDING TO NUMBER OF POSITION).
- 8 FOR REELLING DIRECTION AND PACKAGING TYPE, SEE SPECIFICATION 114-13000.

40.00	33.00	37.26	36.86	24	5-794680-4
37.00	30.00	34.26	33.86	22	5-794680-2
34.00	27.00	31.26	30.86	20	5-794680-0
31.00	24.00	28.26	27.86	18	4-794680-8
28.00	21.00	25.26	24.86	16	4-794680-6
25.00	18.00	22.26	21.86	14	4-794680-5
25.00	18.00	22.26	21.86	14	4-794680-4
22.00	15.00	19.26	18.86	12	4-794680-2
19.00	12.00	16.26	15.86	10	4-794680-0
16.00	9.00	13.26	12.86	8	3-794680-8
13.00	6.00	10.26	9.86	6	3-794680-6
10.00	3.00	7.26	6.86	4	3-794680-4
7.00	-	4.26	3.86	2	3-794680-2
DIM A	DIM Z	DIM Y	DIM X	NO. OF POSN.	ASSEMBLY

THIS DRAWING IS A CONTROLLED DOCUMENT.

DWN S. HOOVER 23-MAR-2005
 CHK C. JONES 23-MAR-2005
 APVD C. JONES 23-MAR-2005

STE TE Connectivity

PRODUCT SPEC: 108-1836
 APPLICATION SPEC: 114-13000

NAME: VERTICAL HEADER ASSEMBLY, THRU HOLE, TIN, DUAL ROW, MICRO MATE-N-LOK(TM)

SIZE: A2 CAGE CODE: 00779 DRAWING NO: C-794680

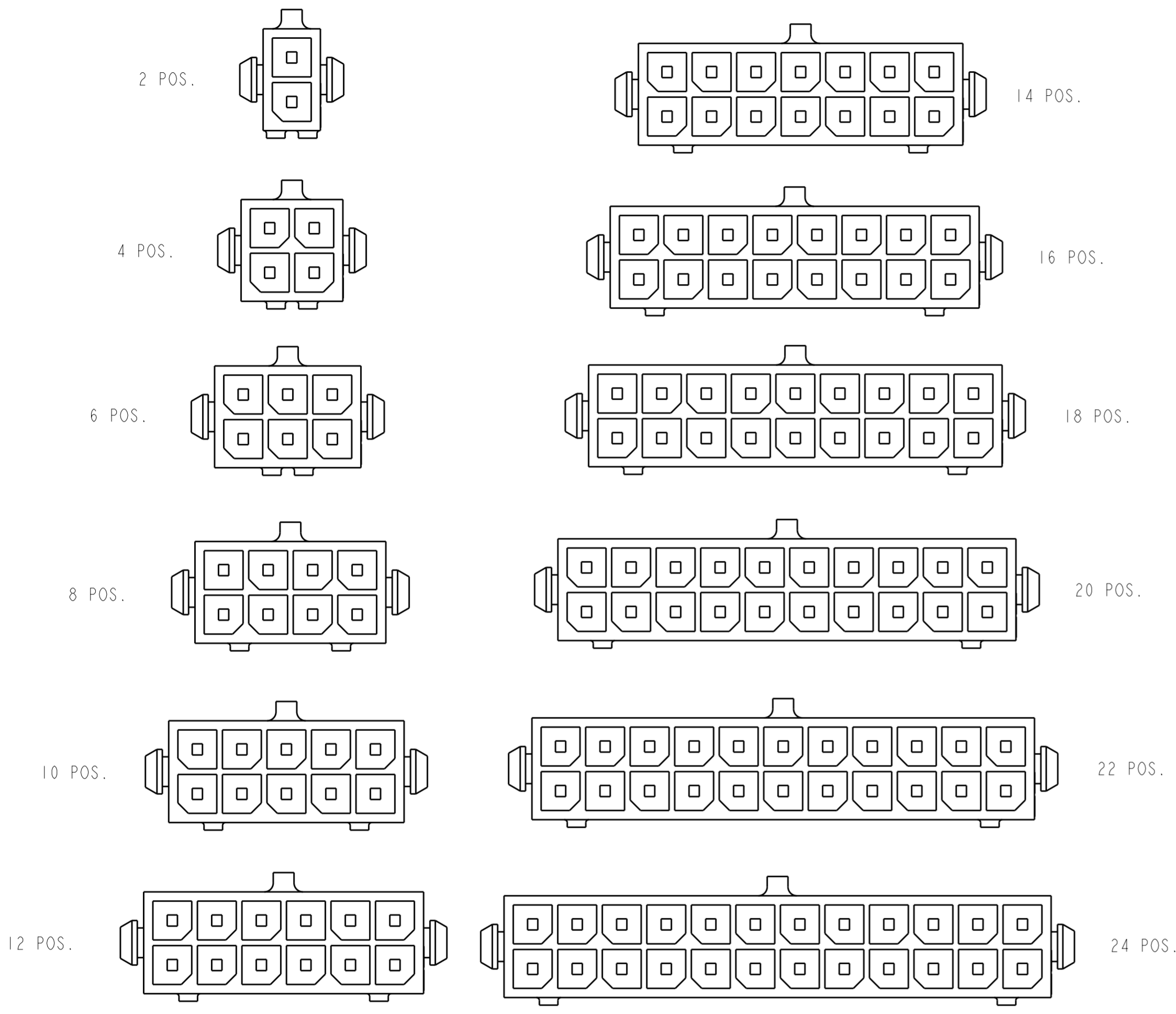
MATERIAL: 1 FINISH: 4

WEIGHT: -

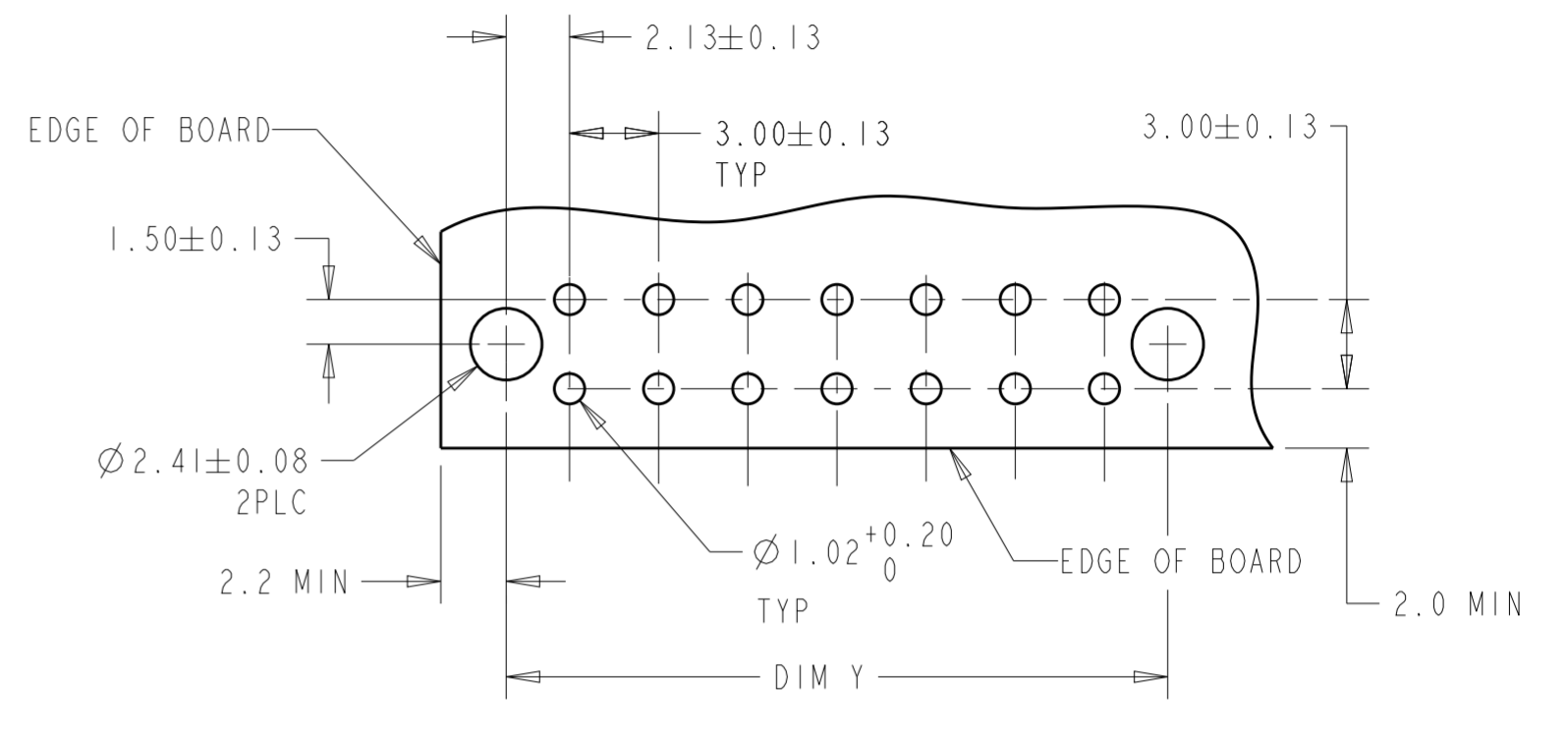
CUSTOMER DRAWING SCALE: 4:1 SHEET 1 OF 2 REV F4

THIS DRAWING IS UNPUBLISHED. RELEASED FOR PUBLICATION 20
 © COPYRIGHT 20 BY - ALL RIGHTS RESERVED.


REVISIONS				
P	LTR	DESCRIPTION	DATE	APVD
-	-	SEE SHEET 1	-	-



KEYING BY POSITION SIZE



RECOMMENDED MOUNTING HOLE PATTERN $\triangle 3$

THIS DRAWING IS A CONTROLLED DOCUMENT.		DWN S. HOOVER 23-MAR-2005	 TE Connectivity															
DIMENSIONS: mm [INCHES]		CHK C. JONES 23-MAR-2005																
TOLERANCES UNLESS OTHERWISE SPECIFIED:		APVD C. JONES 23-MAR-2005	NAME VERTICAL HEADER ASSEMBLY, THRU HOLE, TIN, DUAL ROW, MICRO MATE-N-LOK(TM)															
<table border="0"> <tr> <td>0 PLC</td> <td>±</td> </tr> <tr> <td>1 PLC</td> <td>±</td> </tr> <tr> <td>2 PLC</td> <td>±0.20 [.008]</td> </tr> <tr> <td>3 PLC</td> <td>±</td> </tr> <tr> <td>4 PLC</td> <td>±</td> </tr> <tr> <td>ANGLES</td> <td>±1°</td> </tr> <tr> <td>FINISH</td> <td>-</td> </tr> </table>		0 PLC	±	1 PLC	±	2 PLC	±0.20 [.008]	3 PLC	±	4 PLC	±	ANGLES	±1°	FINISH	-	PRODUCT SPEC 108-1836	SIZE A2	
0 PLC	±																	
1 PLC	±																	
2 PLC	±0.20 [.008]																	
3 PLC	±																	
4 PLC	±																	
ANGLES	±1°																	
FINISH	-																	
MATERIAL -		APPLICATION SPEC 114-13000	CAGE CODE 00779	DRAWING NO. 794680														
-		WEIGHT -	RESTRICTED TO -															
CUSTOMER DRAWING			SCALE 4:1	SHEET 2 OF 2														
			REV F4															

Mouser Electronics

Authorized Distributor

Click to View Pricing, Inventory, Delivery & Lifecycle Information:

[TE Connectivity:](#)

[1-794680-2](#)