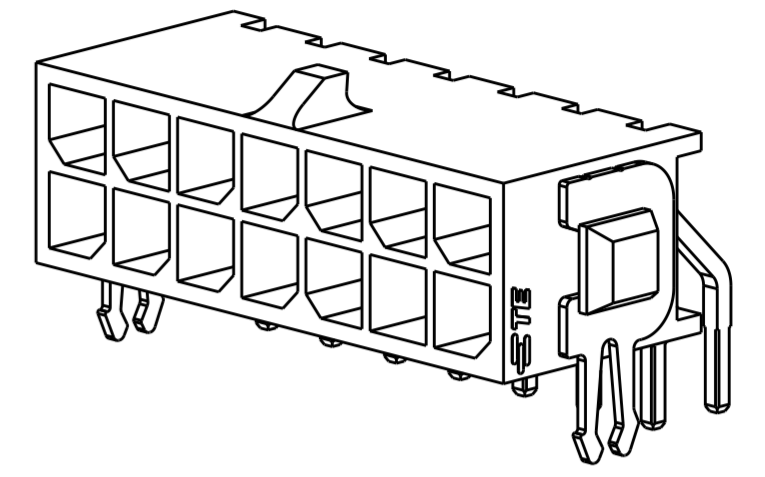
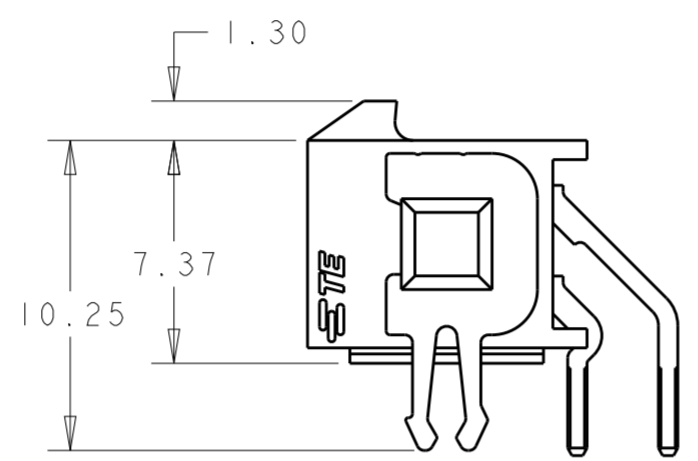
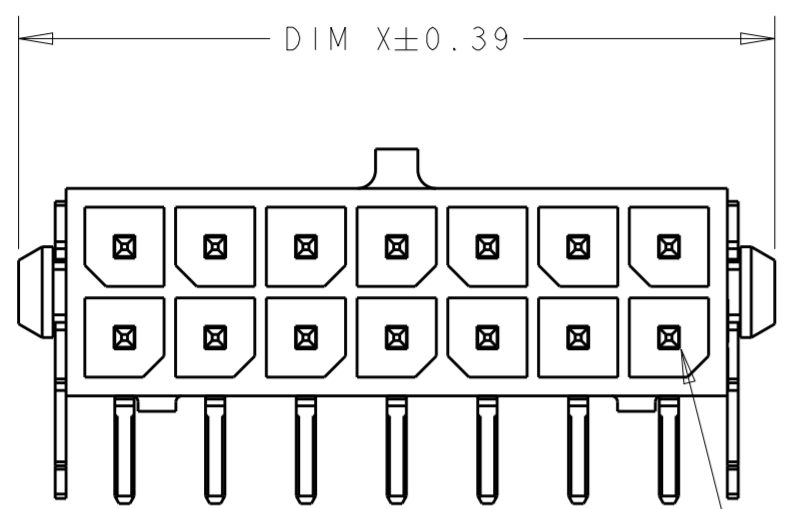
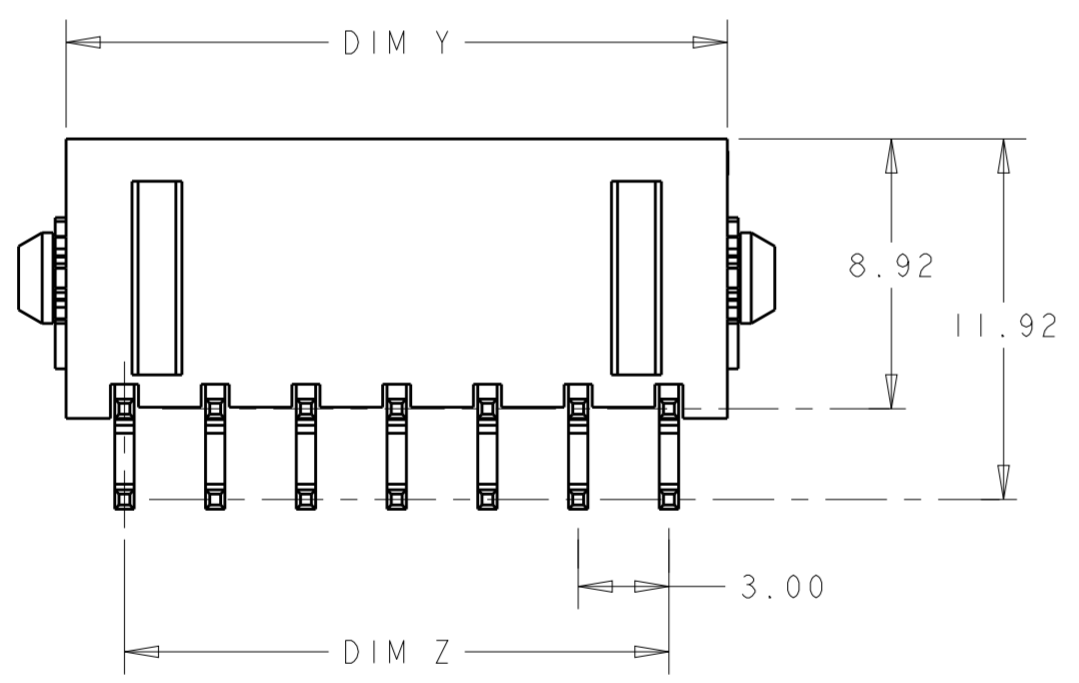


THIS DRAWING IS UNPUBLISHED. RELEASED FOR PUBLICATION 20
 © COPYRIGHT 20 BY - ALL RIGHTS RESERVED.

REVISIONS					
P	LTR	DESCRIPTION	DATE	DWN	APVD
G1		REVISED PER ECR-16-011494	21JUN2017	NK	CX
G2		ECO-19-006502	29APR2019	AP	WLS
G3		REVISED PER ECN-20-100556	21OCT2020	WLS	VS



- 1 MATERIAL;
CONTACTS - BRASS.
HOUSING - UL 94V-0 RATED HIGH TEMP NYLON, COLOR BLACK.
- 2 RECOMMENDED PC BOARD THICKNESS OF 1.57.
- 3 PLATING;
CONTACTS - 0.38µm MINIMUM GOLD ON MATING AREA.
2.54µm MINIMUM MATTE TIN ON SOLDER TAILS.
ALL OVER 1.27µm MINIMUM NICKEL.
HOLDDOWNS - 2.54µm MINIMUM MATTE TIN OVER 1.27µm MINIMUM NICKEL.
- 4 COUNTERPART RECOMMENDED IS PN 794617 (DASH ACCORDING TO NUMBER OF POSITION).
- 5 FOR REELING DIRECTION AND PACKAGING TYPE , SEE SPECIFICATION 114-13000.

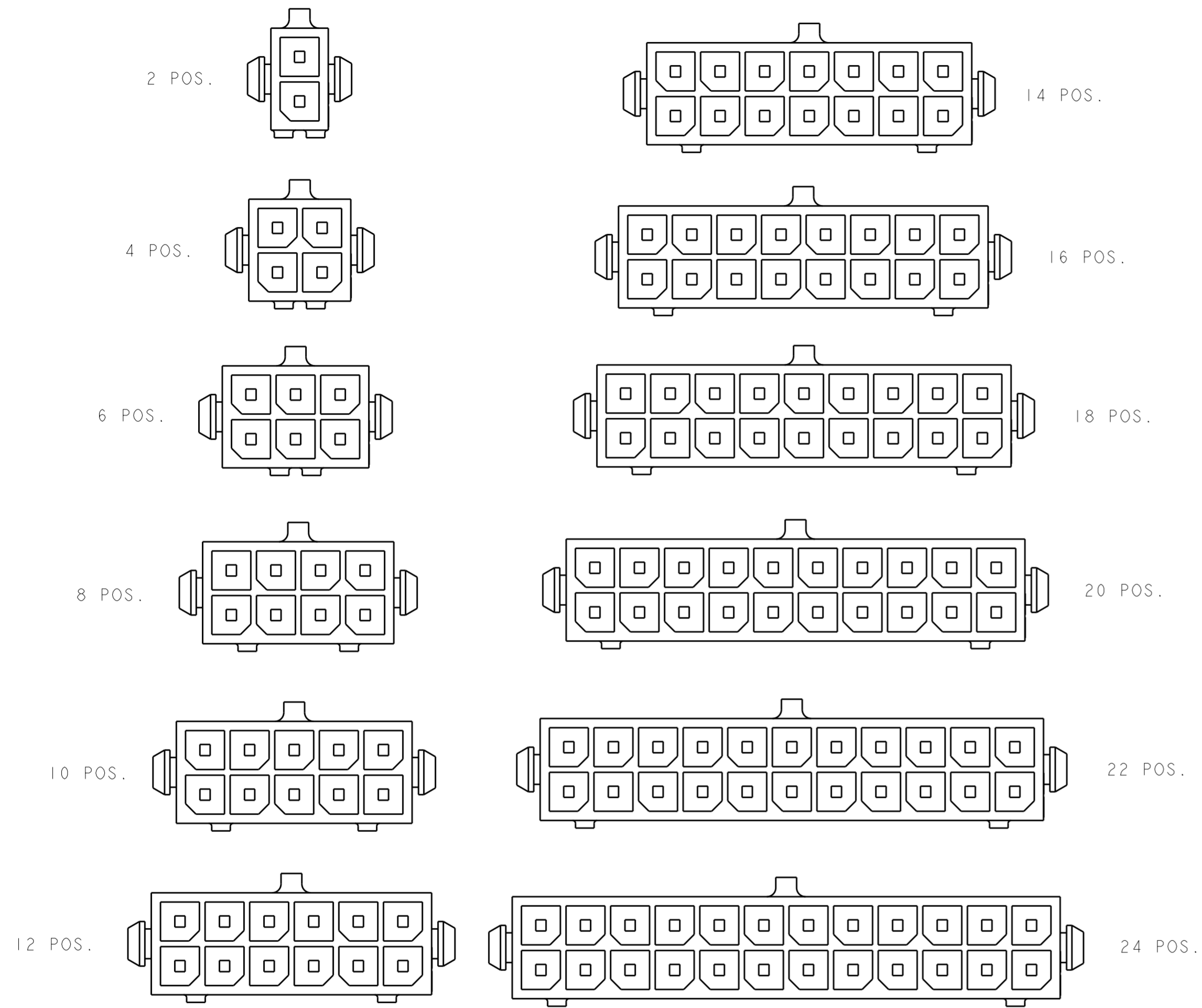


36.86	37.32	33.00	40.00	24	5-794678-4
33.86	34.32	30.00	37.00	22	5-794678-2
30.86	31.32	27.00	34.00	20	5-794678-0
27.86	28.32	24.00	31.00	18	4-794678-8
24.86	25.32	21.00	28.00	16	4-794678-6
21.86	22.32	18.00	25.00	14	4-794678-4
18.86	19.32	15.00	22.00	12	4-794678-2
15.86	16.32	12.00	19.00	10	4-794678-0
12.86	13.32	9.00	16.00	8	3-794678-8
9.86	10.32	6.00	13.00	6	3-794678-6
6.86	7.32	3.00	10.00	4	3-794678-4
3.86	4.32	-	7.00	2	3-794678-2
DIM Y	DIM W	DIM Z	DIM X	NO. OF POSN.	PART NUMBER

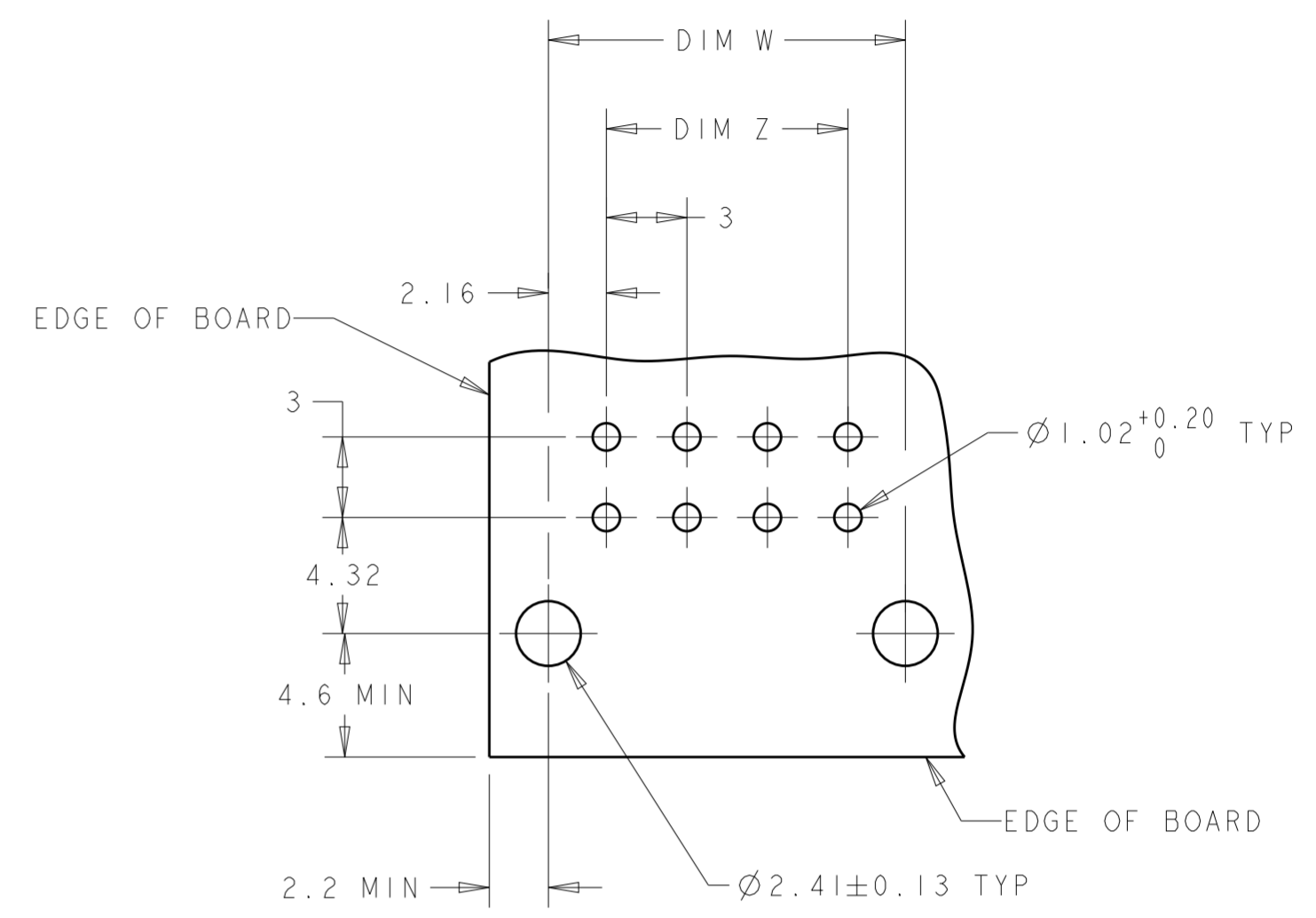
THIS DRAWING IS A CONTROLLED DOCUMENT.		DWN B. HAYMAKER 12AUG99	TE Connectivity		
DIMENSIONS: mm		CHK K. COBLE 12AUG99			
TOLERANCES UNLESS OTHERWISE SPECIFIED:		APVD K. COBLE 12AUG99	NAME THRU-HOLE, RIGHT ANGLE, 15 GOLD HEADER, MECHANICAL BOARDLOCK, DUAL ROW, MICRO MATE MATE-N-LOK™		
0 PLC ± 1 PLC ± 2 PLC ±0.13 3 PLC ± 4 PLC ± ANGLES ±1° FINISH		PRODUCT SPEC 108-1836	SIZE CAGE CODE DRAWING NO RESTRICTED TO		
MATERIAL		APPLICATION SPEC 114-13000	A20779C-794678		
		WEIGHT -	SCALE 4:1 SHEET 1 OF 2 REV G3		
		CUSTOMER DRAWING			

THIS DRAWING IS UNPUBLISHED. RELEASED FOR PUBLICATION 20
 © COPYRIGHT 20 BY - ALL RIGHTS RESERVED.

REVISIONS				
P	LTR	DESCRIPTION	DATE	APVD
-		SEE SHEET 1	-	-



KEYING BY POSITION SIZE



RECOMMENDED PCB LAYOUT (COMPONENT SIDE)

THIS DRAWING IS A CONTROLLED DOCUMENT.		DWN B. HAYMAKER 12AUG99	TE Connectivity
DIMENSIONS: mm		CHK K. COBLE 12AUG99	
TOLERANCES UNLESS OTHERWISE SPECIFIED:		APVD K. COBLE 12AUG99	NAME THRU-HOLE, RIGHT ANGLE, 15 GOLD HEADER, MECHANICAL BOARDLOCK, DUAL ROW, MICRO MATE MATE-N-LOK
0 PLC ±		PRODUCT SPEC 108-1836	SIZE A20779
1 PLC ±		APPLICATION SPEC 114-13000	CAGE CODE C-794678
2 PLC ±0.13		WEIGHT -	DRAWING NO -
3 PLC ±		CUSTOMER DRAWING	RESTRICTED TO -
4 PLC ±		SCALE 4:1	SHEET 2 OF 2
ANGLES ±1°			REV G3
FINISH			

Mouser Electronics

Authorized Distributor

Click to View Pricing, Inventory, Delivery & Lifecycle Information:

[TE Connectivity:](#)

[794678-8](#)