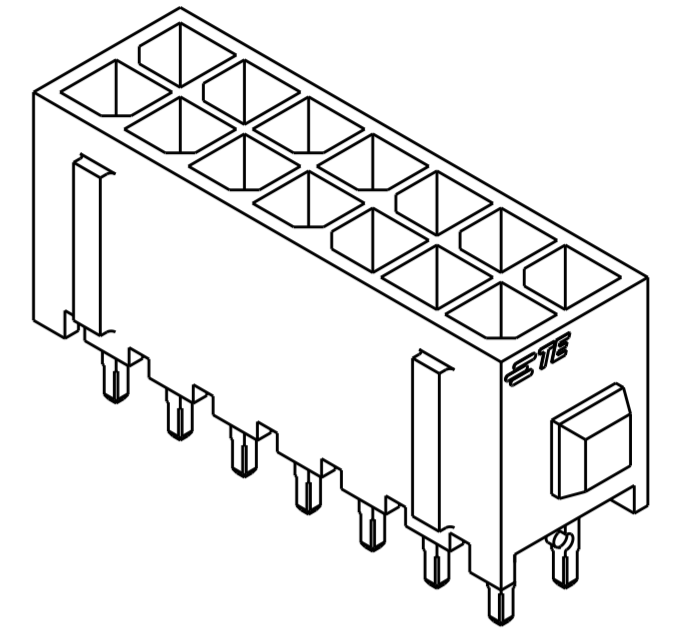
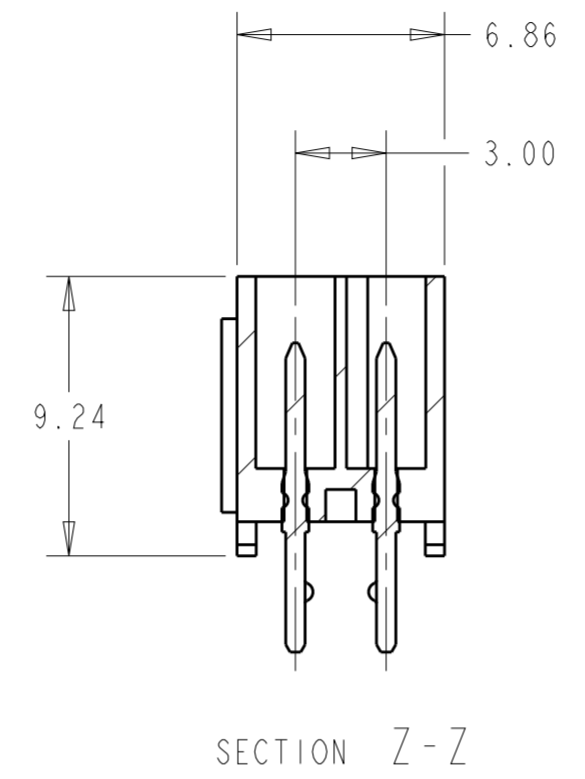
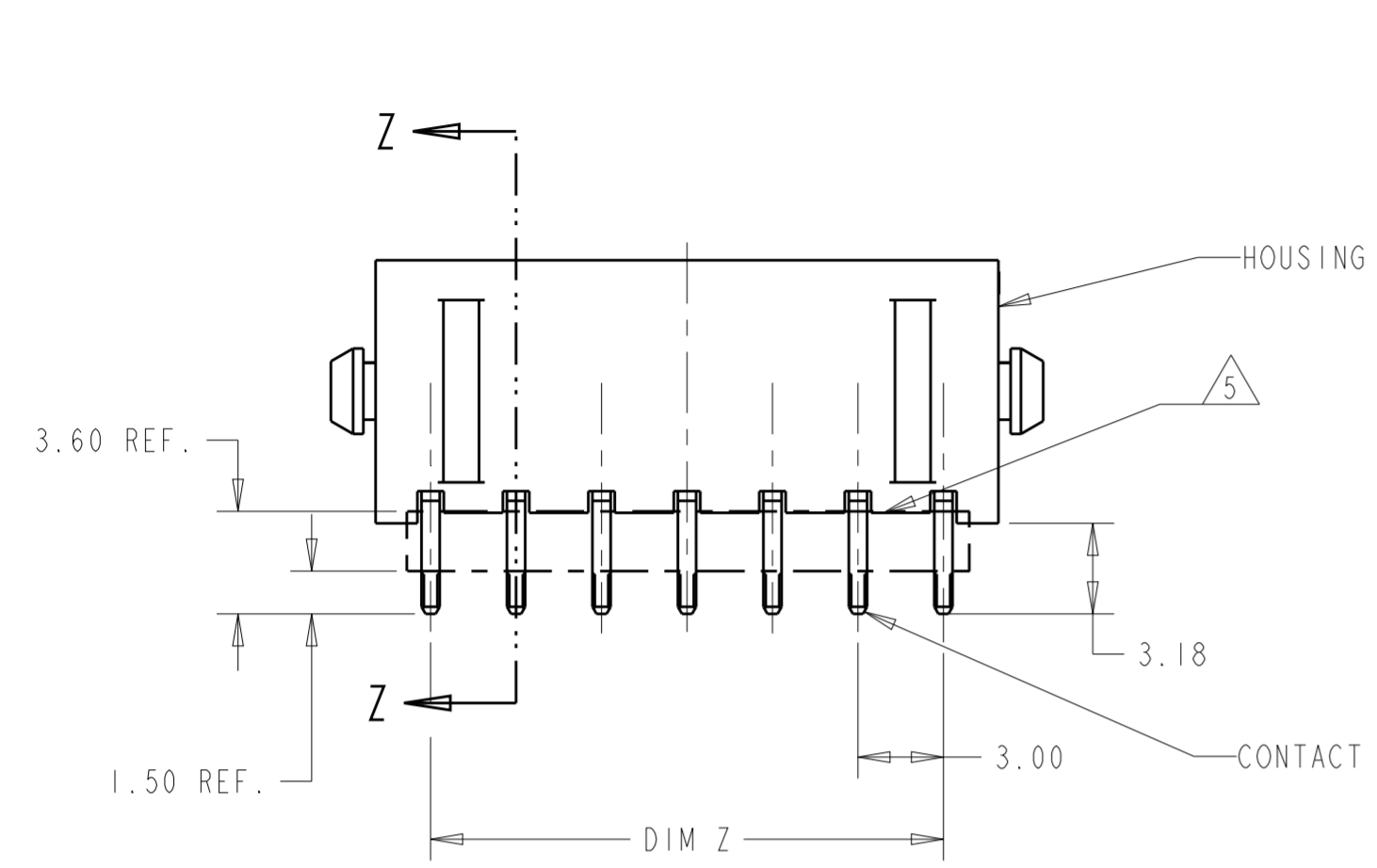
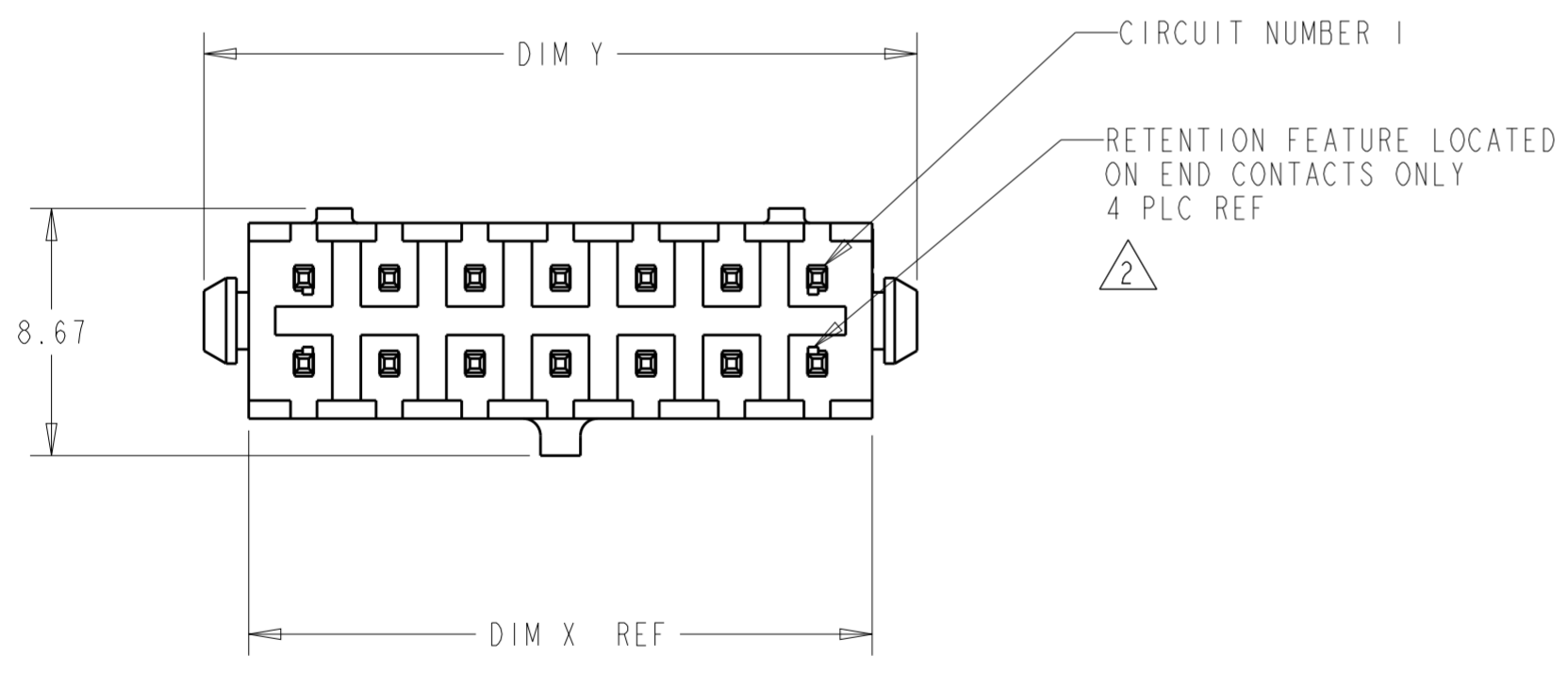


THIS DRAWING IS UNPUBLISHED. RELEASED FOR PUBLICATION
 © COPYRIGHT 20 BY - ALL RIGHTS RESERVED.

REVISIONS				
P	LTR	DESCRIPTION	DATE	APVD
F1		REVISED PER ECR-16-011494	21JUN2017	NK CX
F2		ECO-19-006502	29APR2019	AP WLS
F3		ECN-20-100750	10DEC2020	WLS VS



- 1 MATERIAL: HOUSING - UL 94V-0 RATED HIGH TEMP., NYLON, COLOR BLACK. CONTACT - BRASS.
- 2 MAXIMUM INSERTION 30 LBS.
- 3 RECOMMENDED BOARD THICKNESS 1.57.
- 4 FINISHING: CONTACT - 2.54µm MINIMUM MATTE TIN OVER 1.27µm MINIMUM NICKEL.
- 5 CUTTING AREA REGION, NO PLATING IS PRESENT.
- 6 COUNTERPART RECOMMENDED IS PN 794617 (DASH ACCORDING TO NUMBER OF POSITION).
- 7 FOR REELING DIRECTION AND PACKAGING TYPE, USE SPECIFICATION 114-13000.



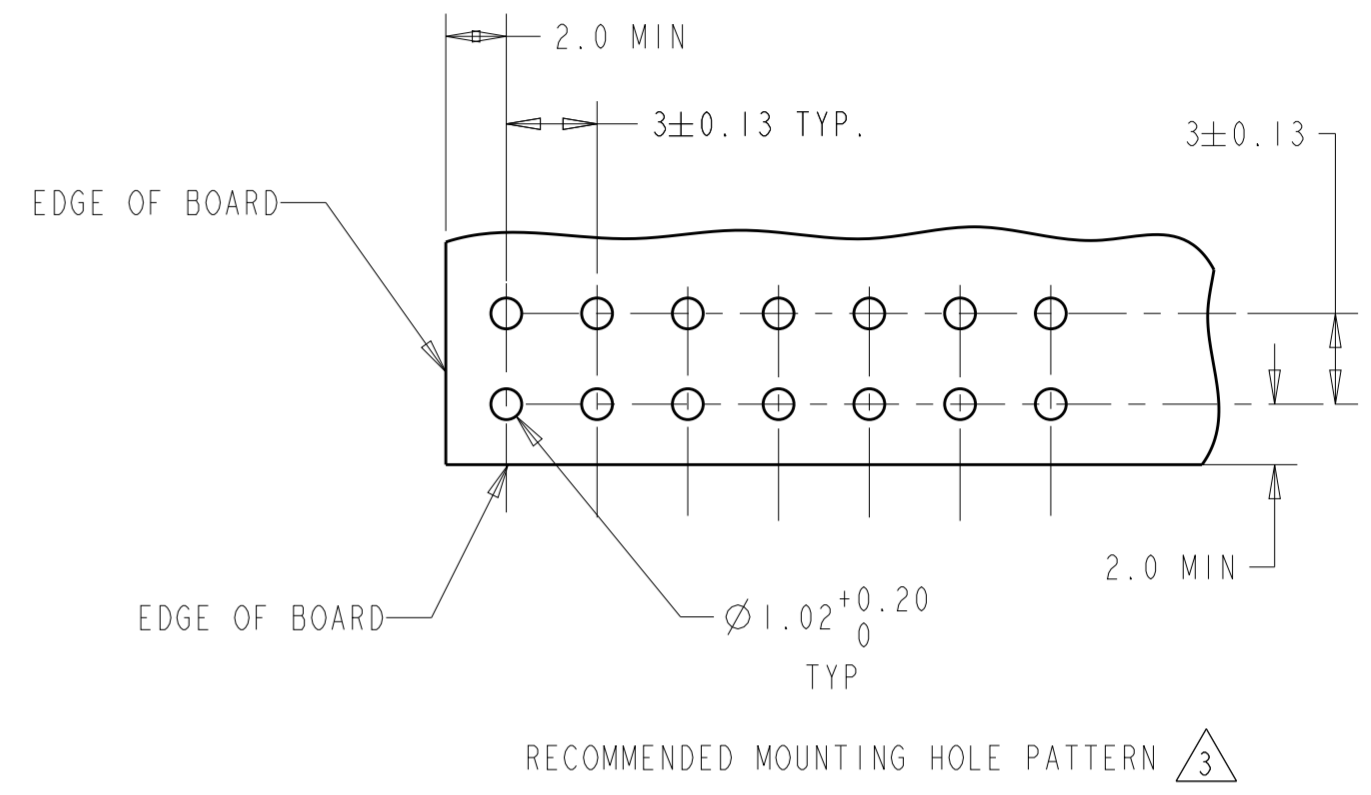
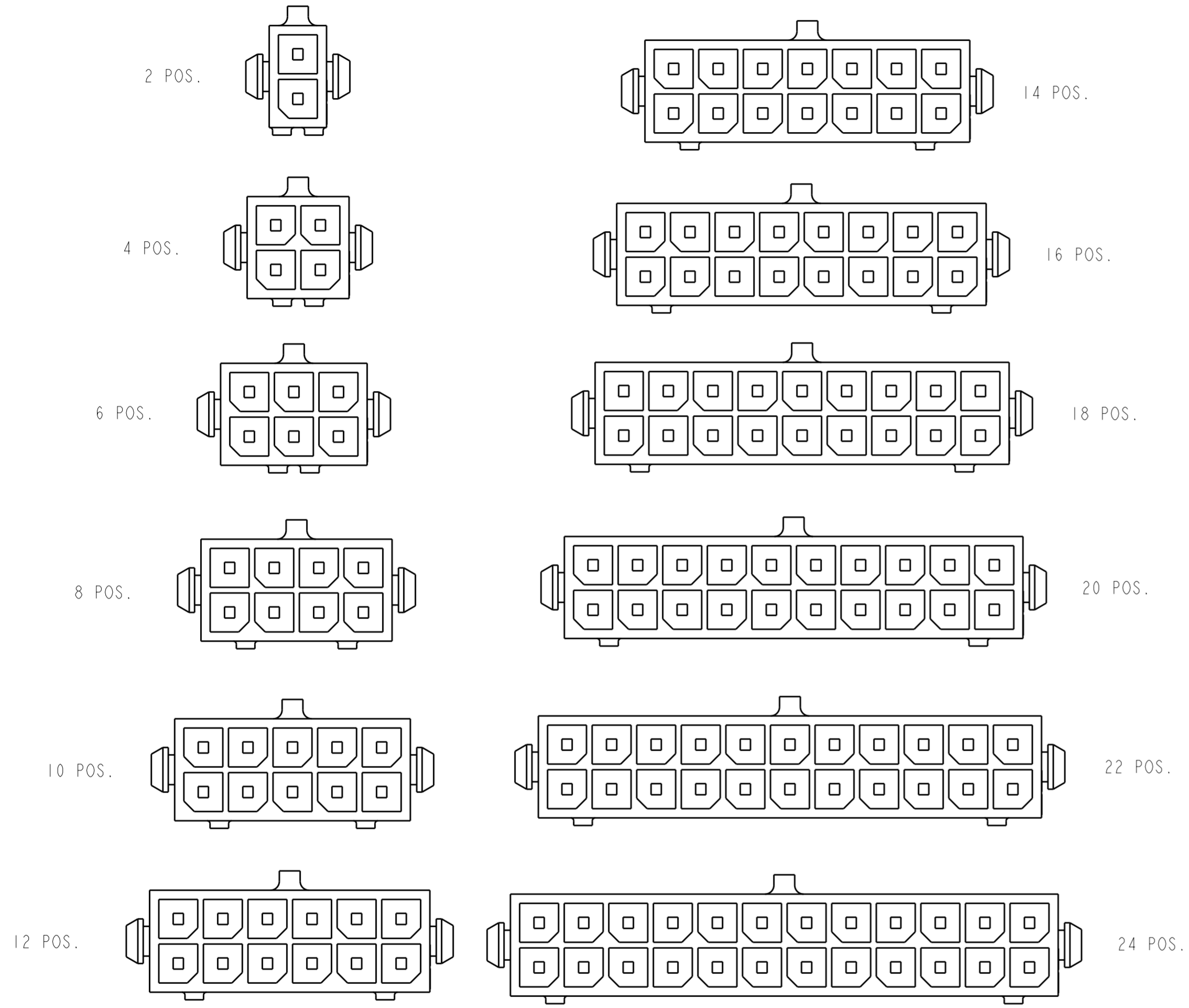
40.00	33.00	36.86	24	5-794630-4
37.00	30.00	33.86	22	5-794630-2
34.00	27.00	30.86	20	5-794630-0
31.00	24.00	27.86	18	4-794630-8
28.00	21.00	24.86	16	4-794630-6
25.00	18.00	21.86	14	4-794630-4
22.00	15.00	18.86	12	4-794630-2
19.00	12.00	15.86	10	4-794630-0
16.00	9.00	12.86	8	3-794630-8
13.00	6.00	9.86	6	3-794630-6
10.00	3.00	6.86	4	3-794630-4
7.00	-	3.86	2	3-794630-2
DIM Y	DIM Z	DIM X	NO. OF POSN.	ASSEMBLY

3

THIS DRAWING IS A CONTROLLED DOCUMENT.		DWN K. WHITAKER 20APR2005	TE Connectivity	
DIMENSIONS: mm [INCHES]		CHK C. JONES 20APR2005		
TOLERANCES UNLESS OTHERWISE SPECIFIED:		APVD C. JONES 20APR2005	NAME VERTICAL HEADER ASSEMBLY, THRU HOLE, TIN, DUAL ROW, MICRO MATE-N-LOK(TM)	
0 PLC ± 1 PLC ± 2 PLC ±0.20 [.008] 3 PLC ± 4 PLC ±		PRODUCT SPEC 108-1836	SIZE A2	
ANGLES ±° FINISH		APPLICATION SPEC 114-13000	CAGE CODE 00779	DRAWING NO G-794630
MATERIAL		WEIGHT -	RESTRICTED TO -	
1		CUSTOMER DRAWING		SCALE 4:1 SHEET 1 OF 2 REV F3

THIS DRAWING IS UNPUBLISHED. RELEASED FOR PUBLICATION
 © COPYRIGHT 20 BY - ALL RIGHTS RESERVED.

REVISIONS				
P	LTR	DESCRIPTION	DATE	APVD
-		SEE SHEET 1	-	-



KEYING BY POSITION SIZE

THIS DRAWING IS A CONTROLLED DOCUMENT.		DWN K. WHITAKER 20APR2005	TE Connectivity															
DIMENSIONS: mm [INCHES]		CHK C. JONES 20APR2005																
TOLERANCES UNLESS OTHERWISE SPECIFIED:		APVD C. JONES 20APR2005	NAME VERTICAL HEADER ASSEMBLY, THRU HOLE, TIN, DUAL ROW, MICRO MATE-N-LOK(TM)															
<table border="0"> <tr> <td>0 PLC</td><td>±</td></tr> <tr> <td>1 PLC</td><td>±</td></tr> <tr> <td>2 PLC</td><td>±0.20 [.008]</td></tr> <tr> <td>3 PLC</td><td>±</td></tr> <tr> <td>4 PLC</td><td>±</td></tr> <tr> <td>ANGLES</td><td>±1°</td></tr> <tr> <td>FINISH</td><td>-</td></tr> </table>		0 PLC	±	1 PLC	±	2 PLC	±0.20 [.008]	3 PLC	±	4 PLC	±	ANGLES	±1°	FINISH	-	PRODUCT SPEC 108-1836	SIZE CAGE CODE DRAWING NO RESTRICTED TO	
0 PLC	±																	
1 PLC	±																	
2 PLC	±0.20 [.008]																	
3 PLC	±																	
4 PLC	±																	
ANGLES	±1°																	
FINISH	-																	
MATERIAL		APPLICATION SPEC 114-13000	A2 00779 C-794630 -															
		WEIGHT	CUSTOMER DRAWING SCALE 4:1 SHEET 2 OF 2 REV F3															

Mouser Electronics

Authorized Distributor

Click to View Pricing, Inventory, Delivery & Lifecycle Information:

[TE Connectivity:](#)

[794630-4](#)