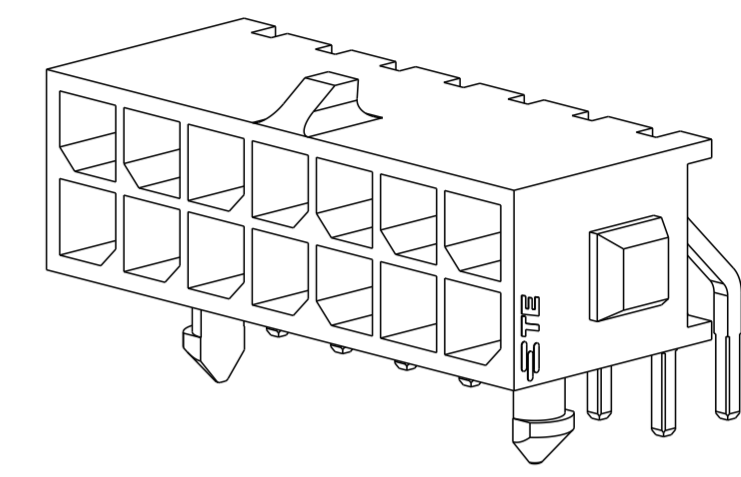
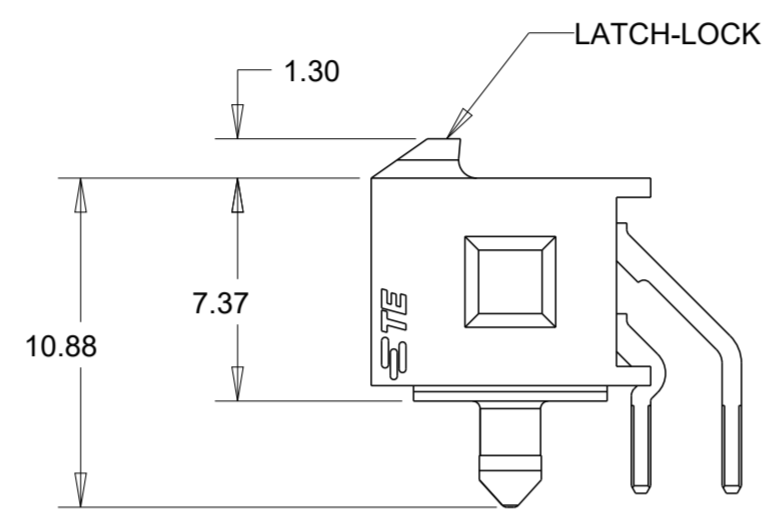
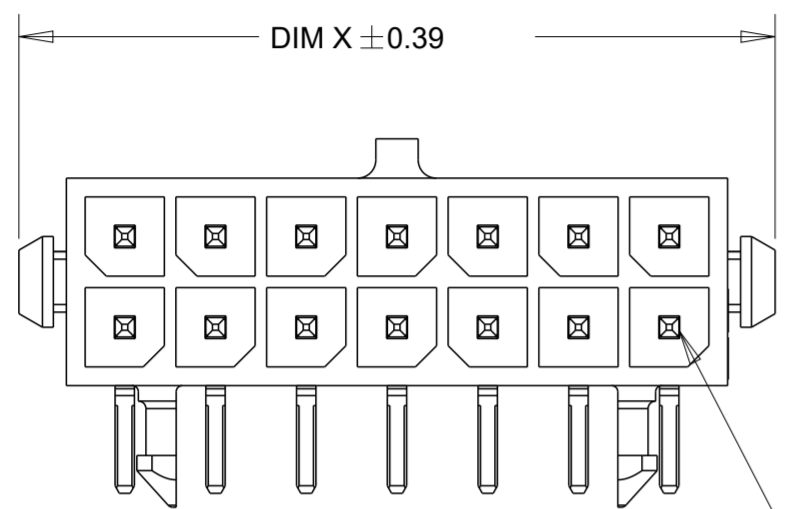


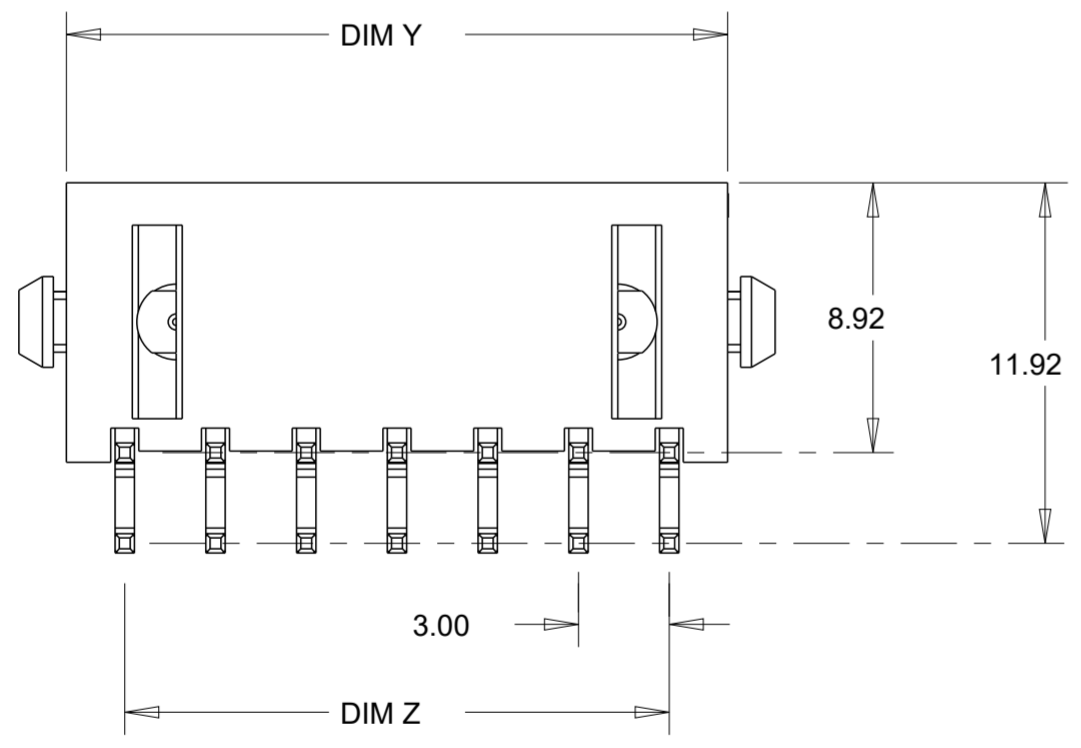
THIS DRAWING IS UNPUBLISHED. RELEASED FOR PUBLICATION 20
 © COPYRIGHT 20 BY - ALL RIGHTS RESERVED.

REVISIONS					
P	LTR	DESCRIPTION	DATE	DWN	APVD
F1		REVISED PER ECR-16-011494	21JUN2017	NK	CX
F2		ECO-19-006502	29APR2019	AP	WS
F3		REVISED PER ECN-20-100750	07DEC2020	WLS	VS



- 1 MATERIAL: HOUSING - UL 94V-0 RATED HIGH TEMP NYLON, COLOR BLACK.
CONTACTS - BRASS.
- 2 RECOMMENDED PC BOARD THICKNESS OF 1.57.
- 3 PLATING: CONTACTS - 0.38µm MINIMUM GOLD ON MATING AREA.
2.54µm MINIMUM MATTE TIN ON SOLDER TAILS.
ALL OVER 1.27µm MINIMUM NICKEL.

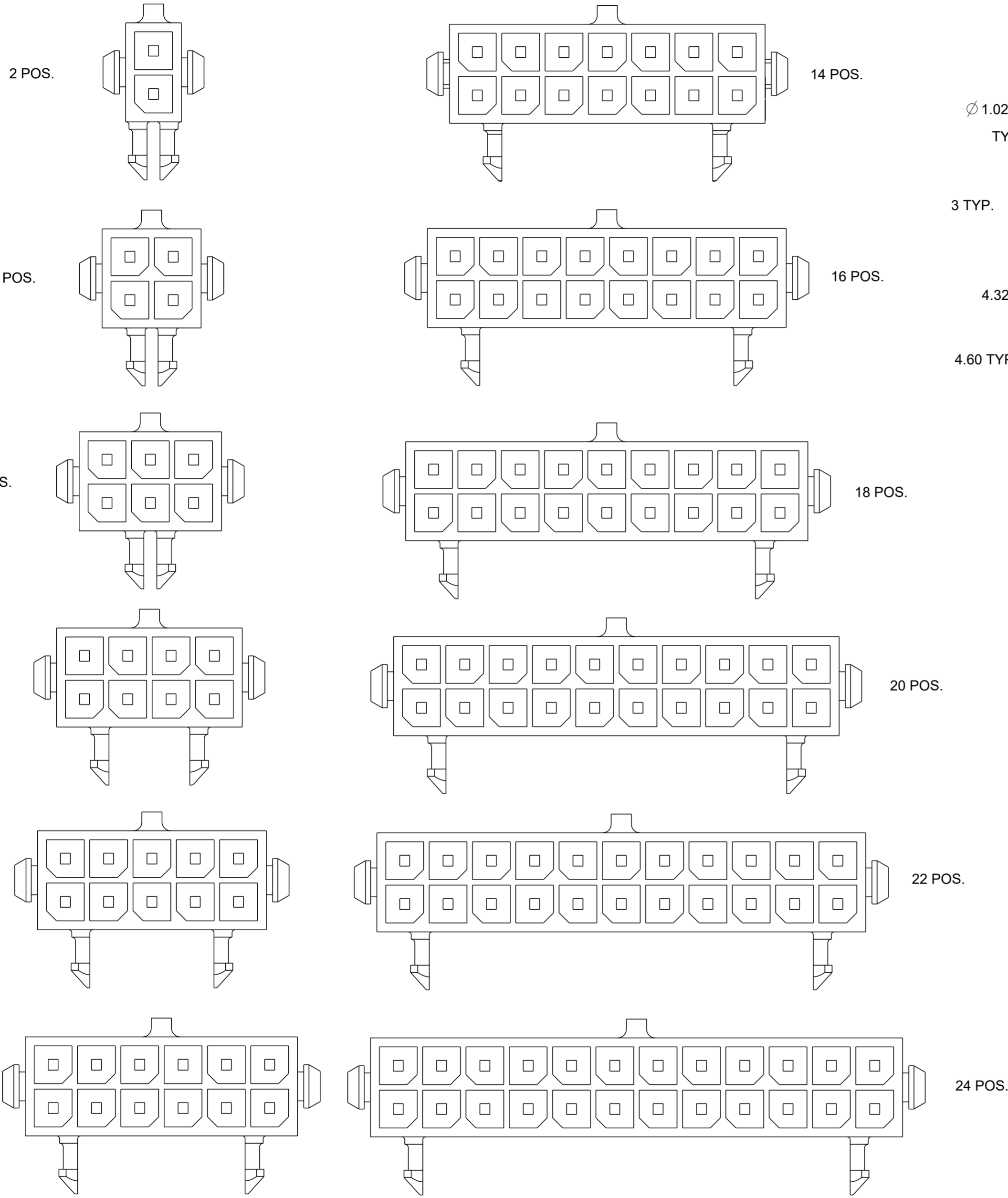
4 COUNTERPART RECOMMENDED IS PN 794617 (DASH ACCORDING TO NUMBER OF POSITION).
 5 FOR REELING DIRECTION AND PACKAGING TYPE, SEE SPECIFICATION 114-13000.



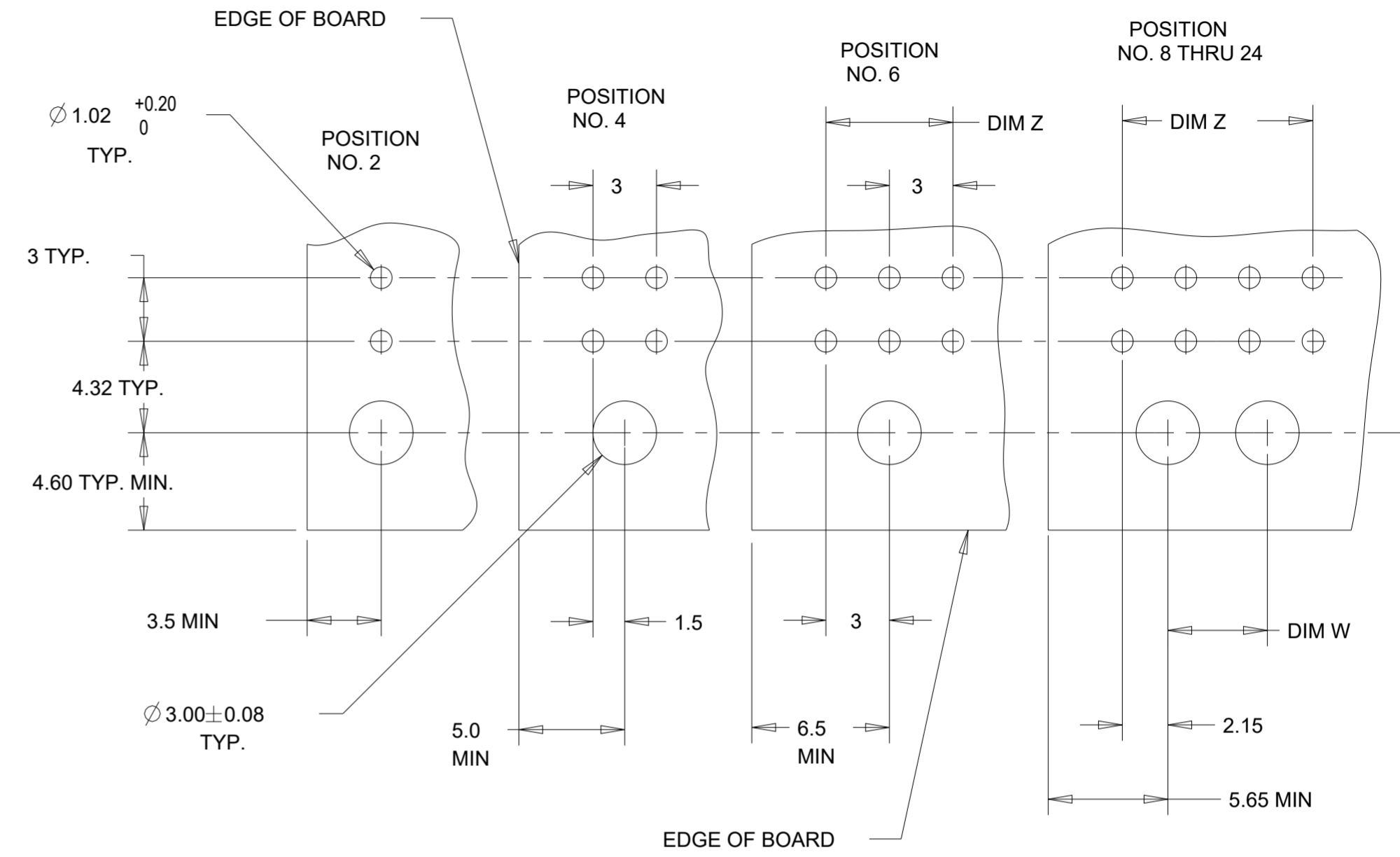
36.86	28.70	33.00	40.00	24	5-794619-4
33.86	25.70	30.00	37.00	22	5-794619-2
30.86	22.70	27.00	34.00	20	5-794619-0
27.86	19.70	24.00	31.00	18	4-794619-8
24.86	16.70	21.00	28.00	16	4-794619-6
21.86	13.70	18.00	25.00	14	4-794619-4
18.86	10.70	15.00	22.00	12	4-794619-2
15.86	7.70	12.00	19.00	10	4-794619-0
12.86	4.70	9.00	16.00	8	3-794619-8
9.86	-	6.00	13.00	6	3-794619-6
6.86	-	-	10.00	4	3-794619-4
3.86	-	-	7.00	2	3-794619-2
DIM Y	DIM W	DIM Z	DIM X	NO. OF POSN.	PART NUMBER

THIS DRAWING IS A CONTROLLED DOCUMENT.		DWN B. HAYMAKER 12AUG99	TE Connectivity		
DIMENSIONS:		CHK K. COBLE 12AUG99			
mm	TOLERANCES UNLESS OTHERWISE SPECIFIED:	APVD K. COBLE 12AUG99	NAME THRU-HOLE, R/A, 15 GOLD HEADER, PLASTIC BOARDLOCK, DUAL ROW, MICRO MATE-N-LOK™		
0 PLC ±	1 PLC ±	PRODUCT SPEC 108-1836	SIZE A2	CAGE CODE 00779	DRAWING NO. G-794619
2 PLC ±0.13	3 PLC ±	APPLICATION SPEC 114-13000	RESTRICTED TO		
4 PLC ±	ANGLES ±°	WEIGHT -	-		
MATERIAL 1	FINISH 3	CUSTOMER DRAWING	SCALE 4:1	SHEET 1 OF 2	REV F3

REVISIONS					
P	LTR	DESCRIPTION	DATE	DWN	APVD
-	-	SEE SHEET 1	-	-	-



KEYING BY POSITION SIZE



RECOMMENDED PCB LAYOUT (COMPONENT SIDE)



THIS DRAWING IS A CONTROLLED DOCUMENT.		DWN B. HAYMAKER 12AUG99	TE Connectivity		
DIMENSIONS:		CHK K. COBLE 12AUG99			
mm	TOLERANCES UNLESS OTHERWISE SPECIFIED:	APVD K. COBLE 12AUG99	NAME THRU-HOLE, R/A, 15 GOLD HEADER, PLASTIC BOARDLOCK, DUAL ROW, MICRO MATE-N-LOK		
	0 PLC ± 1 PLC ± 2 PLC ±0.13 3 PLC ± 4 PLC ±	PRODUCT SPEC 108-1836	SIZE A2	CAGE CODE 00779	DRAWING NO. 794619
MATERIAL	FINISH	APPLICATION SPEC 114-13000	RESTRICTED TO	-	
-	-	WEIGHT	SCALE	SHEET	REV
-	-	CUSTOMER DRAWING	4:1	2 OF 2	F3

Mouser Electronics

Authorized Distributor

Click to View Pricing, Inventory, Delivery & Lifecycle Information:

[TE Connectivity:](#)

[1-794619-8](#)