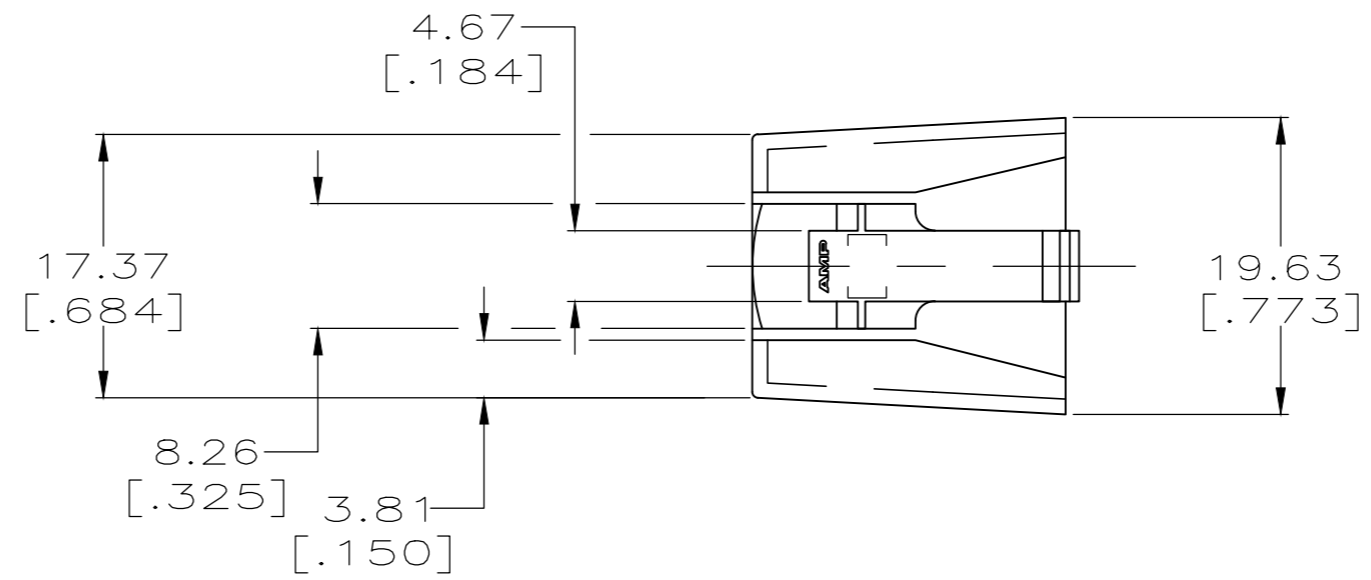
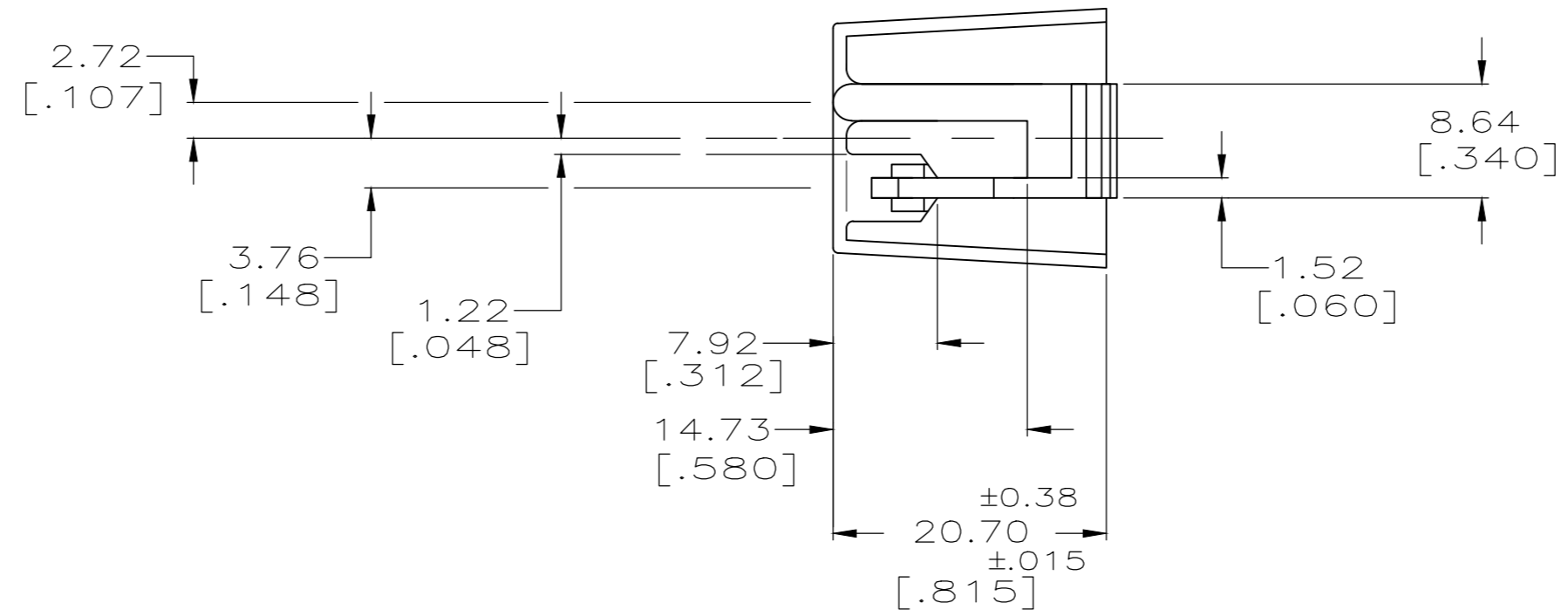
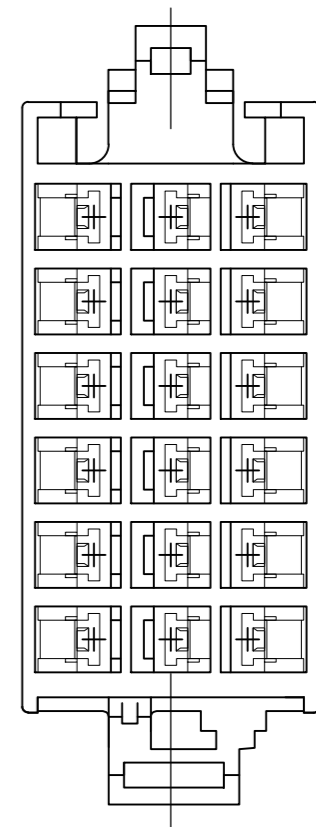
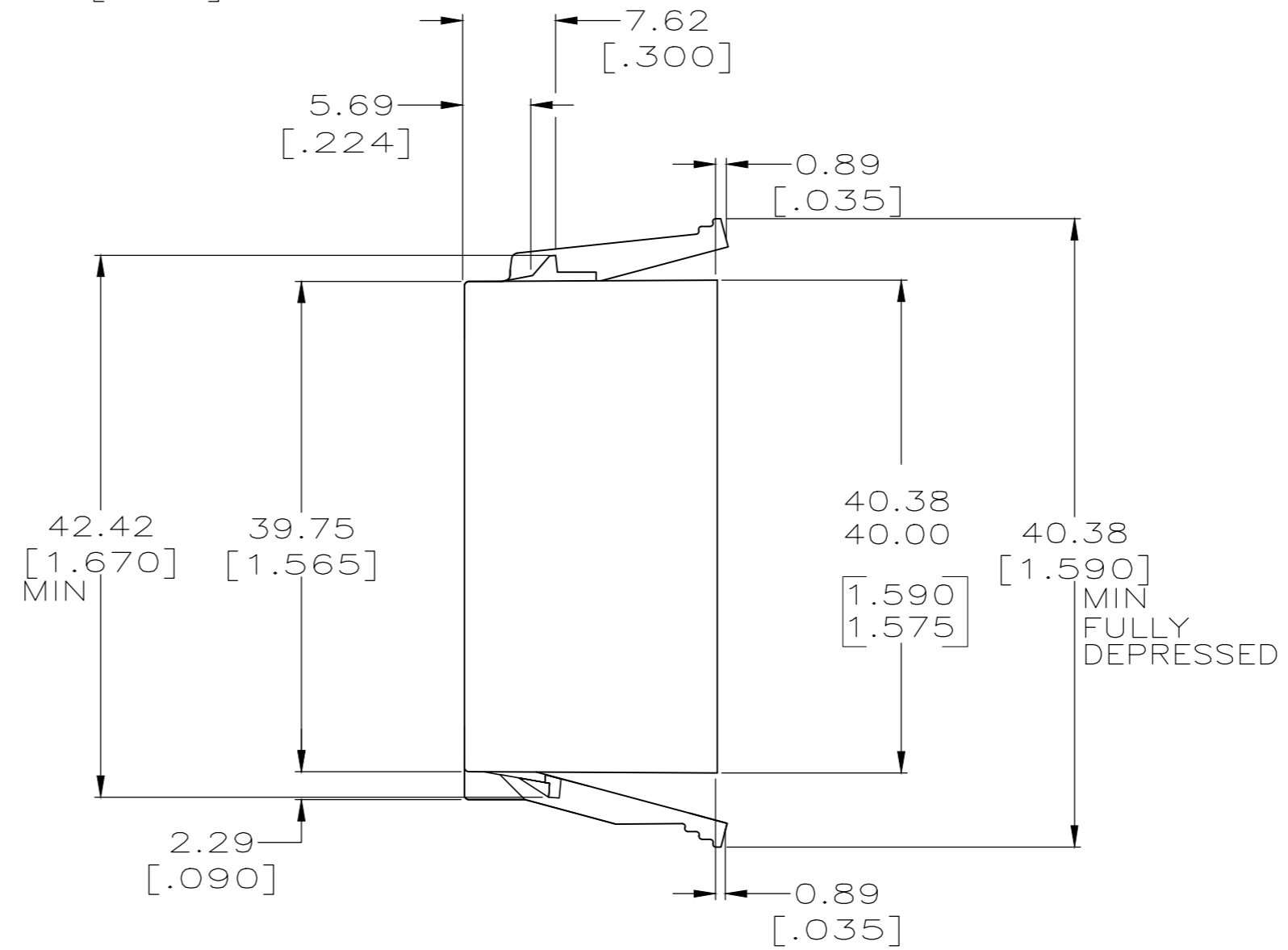
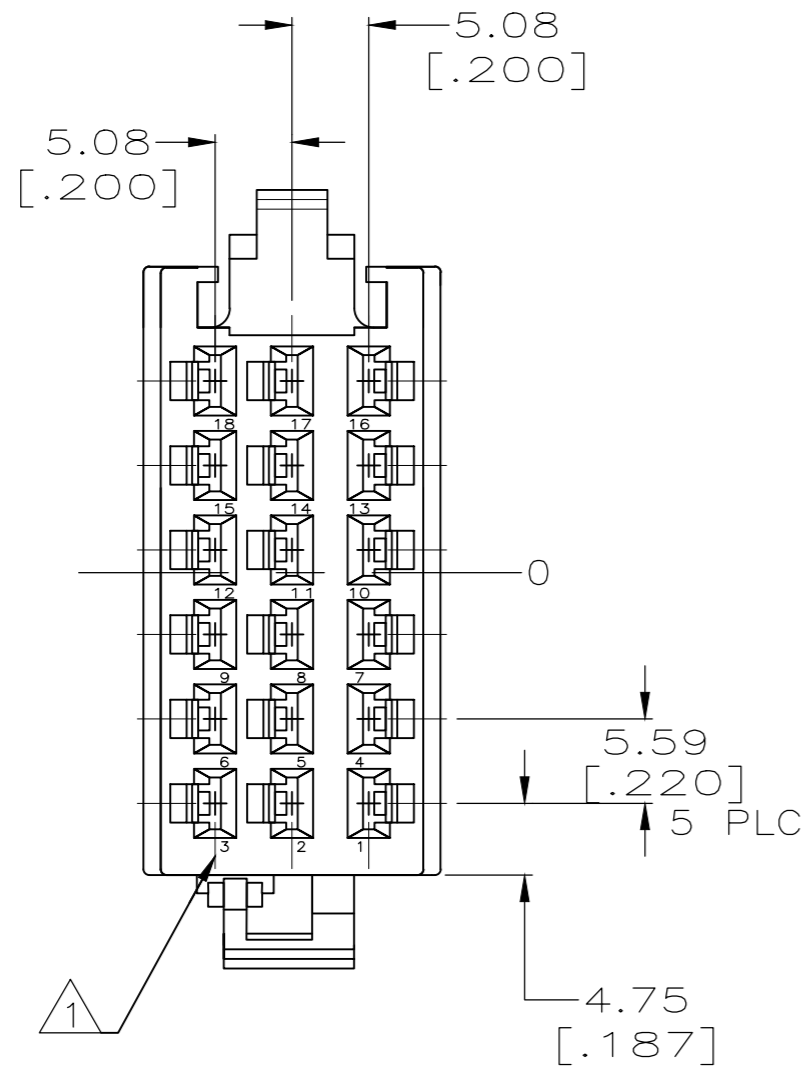


THIS DRAWING IS UNPUBLISHED. RELEASED FOR PUBLICATION
 © COPYRIGHT - TE Connectivity Ltd. ALL RIGHTS RESERVED.

REVISIONS				
P	LTR	DESCRIPTION	DATE	APVD
U2		REVISED PER ECR-18-008168	09JUL18	MD TD



- 1 CIRCUIT IDENTIFICATION.
- 2 MATERIAL: 6/6 NYLON, COLOR NATURAL
- 3 MATERIAL: 6/66 NYLON, COLOR WHITE



OBSOLETE	3 770200-2
	2 770200-1
PART NUMBER	

THIS DRAWING IS A CONTROLLED DOCUMENT.		DWN M.S. FEHER 10NOV2000	TE TE Connectivity Ltd.
DIMENSIONS: mm [INCHES]		CHK J.R. RUTH 10NOV2000	
TOLERANCES UNLESS OTHERWISE SPECIFIED:		APVD DON DECKER 10NOV2000	HOUSING, LEFT HAND, 18 CIRCUIT, TIMER CONNECTOR
0 PLC ± -		PRODUCT SPEC	
1 PLC ± -		APPLICATION SPEC	SIZE A2
2 PLC ± 0.25 [.010]			CAGE CODE 00779
3 PLC ± -			DRAWING NO C=770200
4 PLC ± -			RESTRICTED TO -
ANGLES ± -		WEIGHT 0,000000	SCALE 2:1
FINISH SEE NOTES		CUSTOMER DRAWING	SHEET 1 OF 1
			REV U2

Mouser Electronics

Authorized Distributor

Click to View Pricing, Inventory, Delivery & Lifecycle Information:

[TE Connectivity:](#)

[770200-2](#)