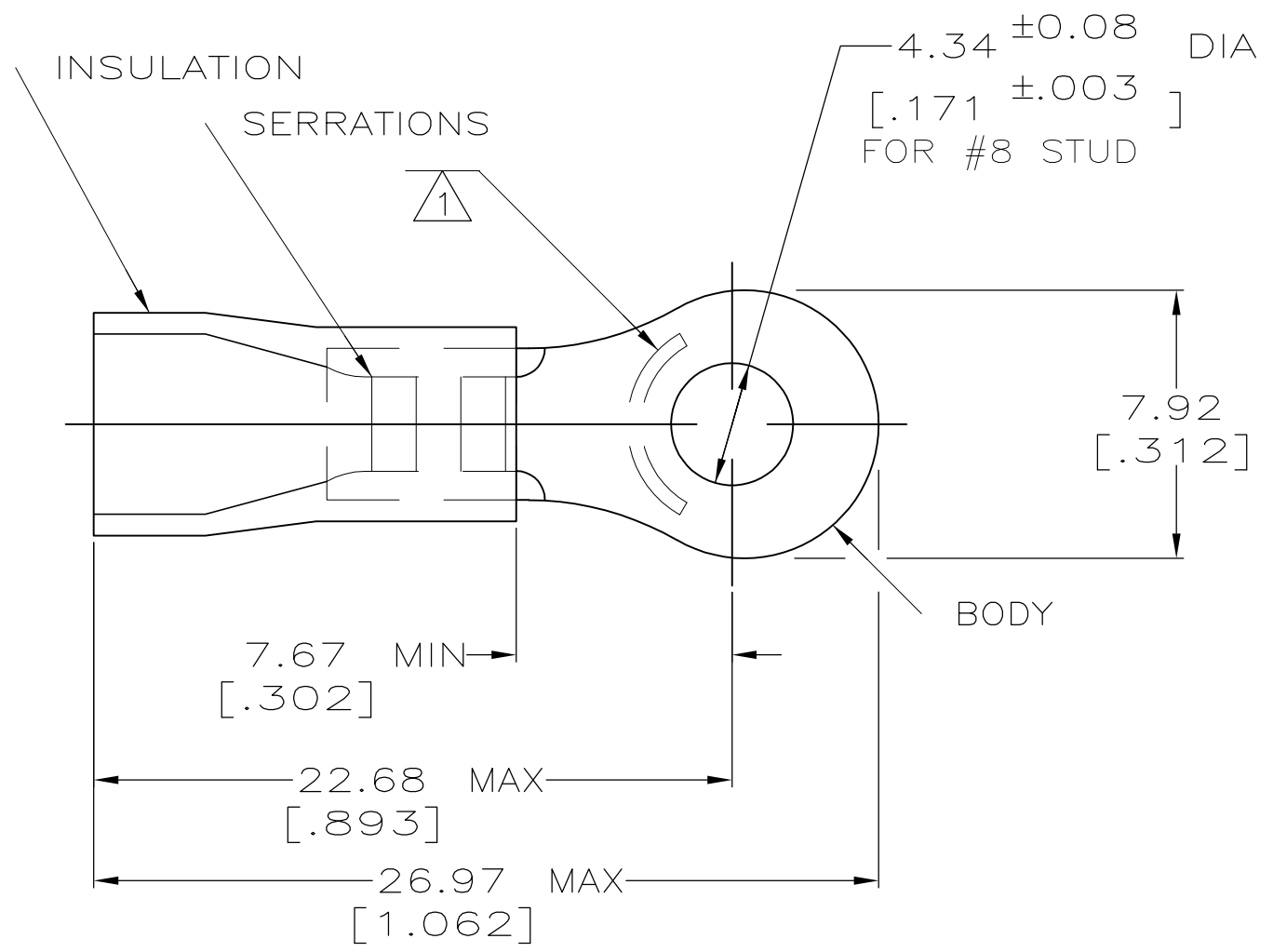


THIS DRAWING IS UNPUBLISHED. RELEASED FOR PUBLICATION
 © COPYRIGHT BY TYCO ELECTRONICS CORPORATION. ALL RIGHTS RESERVED.

LOC	DIST	REVISIONS					
		P	LTR	DESCRIPTION	DATE	DWN	APVD
G	14		A2	REV PER ECR 07-029448	06DEC07	JR	TM

AMP WIRE RANGE	Listed	LR7189 Certified
12-10 AWG SOLID OR STRANDED	12-10 AWG SOLID OR STRANDED	12-10 AWG SOLID OR STRANDED



- △ 1 STAMP AMP 12-10* APPROX AS SHOWN
- 2 WIRE INSULATION DIA: 3.81-6.35 [.150-.250]
- 3 TONGUE MATERIAL THK: 1.02^{±0.05} [.040^{±.002}]
- △ 4 MATERIAL: BODY - CU PER ASTM B152
SLEEVE - PVC
- △ 5 FINISH: BODY - TIN PLATED ASTM B545
SLEEVE - COLOR - RED

5000	ON TAPE, REEL	696047-1
QTY	PACKAGE TYPE	PART NO.

AMP INCORPORATED CUSTOMER SERVICE SYSTEMS		MAX RECOMMENDED OPERATING TEMPERATURE: 90°C MAX	THIS DRAWING IS A CONTROLLED DOCUMENT.		DWN ML ELLIS 21JUL98	Tyco Electronics Corporation Harrisburg, PA 17105-3608			
FOR ADDITIONAL PRODUCT INFORMATION OR COPIES OF DRAWINGS AND TECHNICAL DOCUMENTS	PRODUCT INFORMATION CENTER 1-800-522-6752	VOLTAGE RATING: N/A	DIMENSIONS: MM [INCHES]	TOLERANCES UNLESS OTHERWISE SPECIFIED:	CHK RE HERSEY 21JUL98	NAME TERMINAL, RING TONGUE, PLASTI-GRIP			
FOR APPLICATION TOOLING INFORMATION	TOOLING ASSISTANCE CENTER 1-800-722-1111	CIRCULAR MIL AREA: 2.62-6.64mm ² [5,180-13,100] SOLID OR STRANDED		0 PLC ± - 1 PLC ± - 2 PLC ± 0.20 [.008] 3 PLC ± - 4 PLC ± - ANGLES ± -	APVD T MICHELUTTI 21JUL98	PRODUCT SPEC 108-1034			
FOR ORDER ENTRY	1-800-526-5142	THIS DRAWING IS A CONTROLLED DOCUMENT FOR AMP INCORPORATED. IT IS SUBJECT TO CHANGE AND THE CONTROLLING ENGINEERING ORGANIZATION SHOULD BE CONTACTED FOR THE LATEST REVISION.	MATERIAL - △ 4	FINISH △ 5	APPLICATION SPEC NOT AVAILABLE	SIZE A3	CAGE CODE 00779	DRAWING NO G-696047	RESTRICTED TO -
					CUSTOMER DRAWING	SCALE 4:1	SHEET 1 OF 1	REV A2	

Mouser Electronics

Authorized Distributor

Click to View Pricing, Inventory, Delivery & Lifecycle Information:

[TE Connectivity:](#)

[696047-1](#)