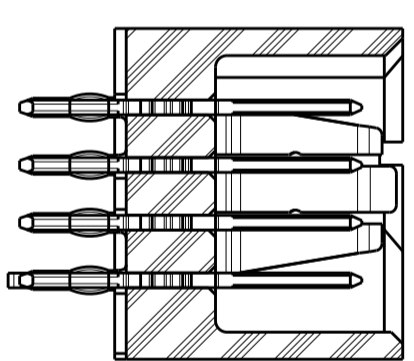
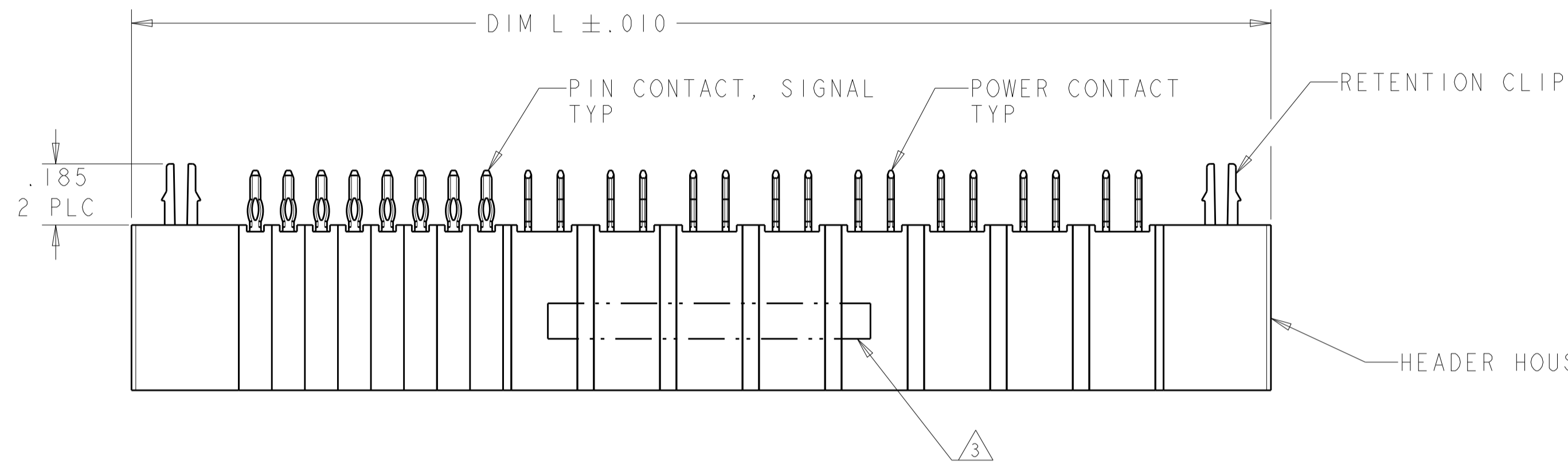
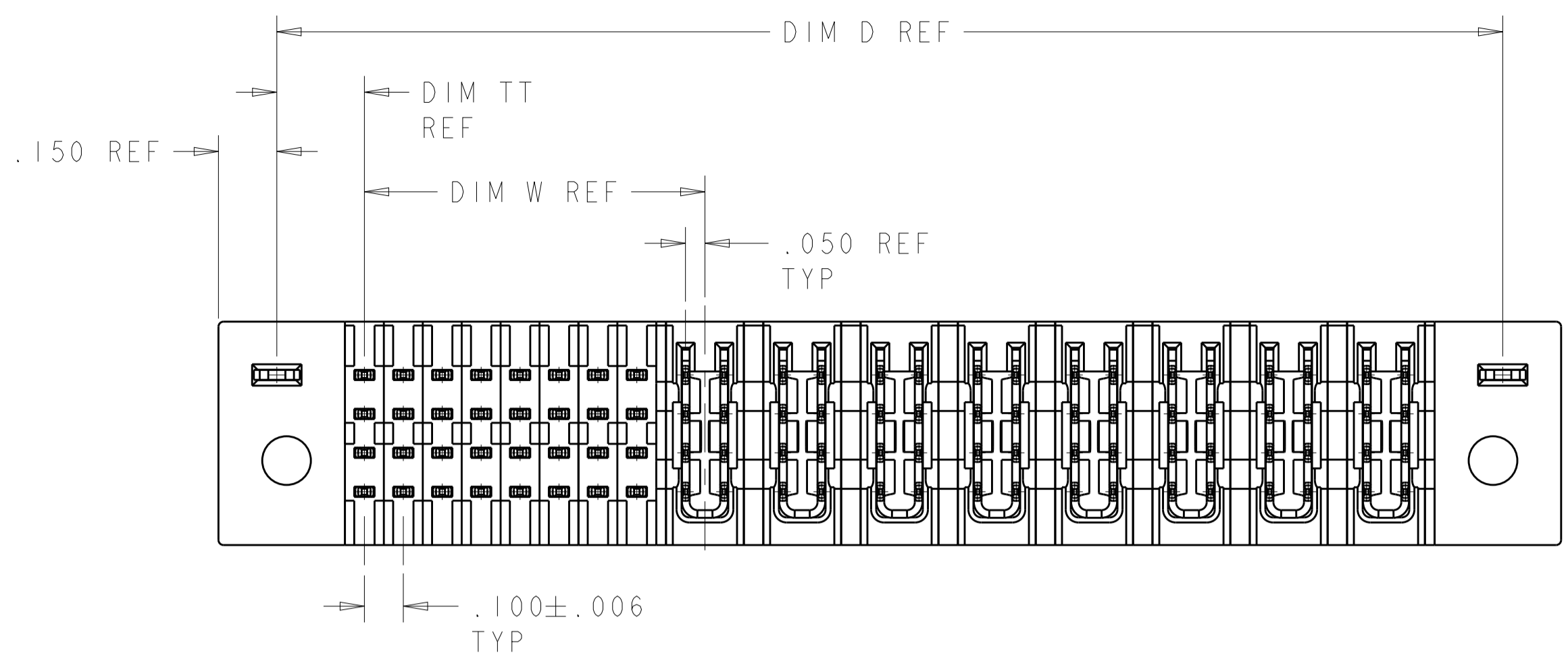
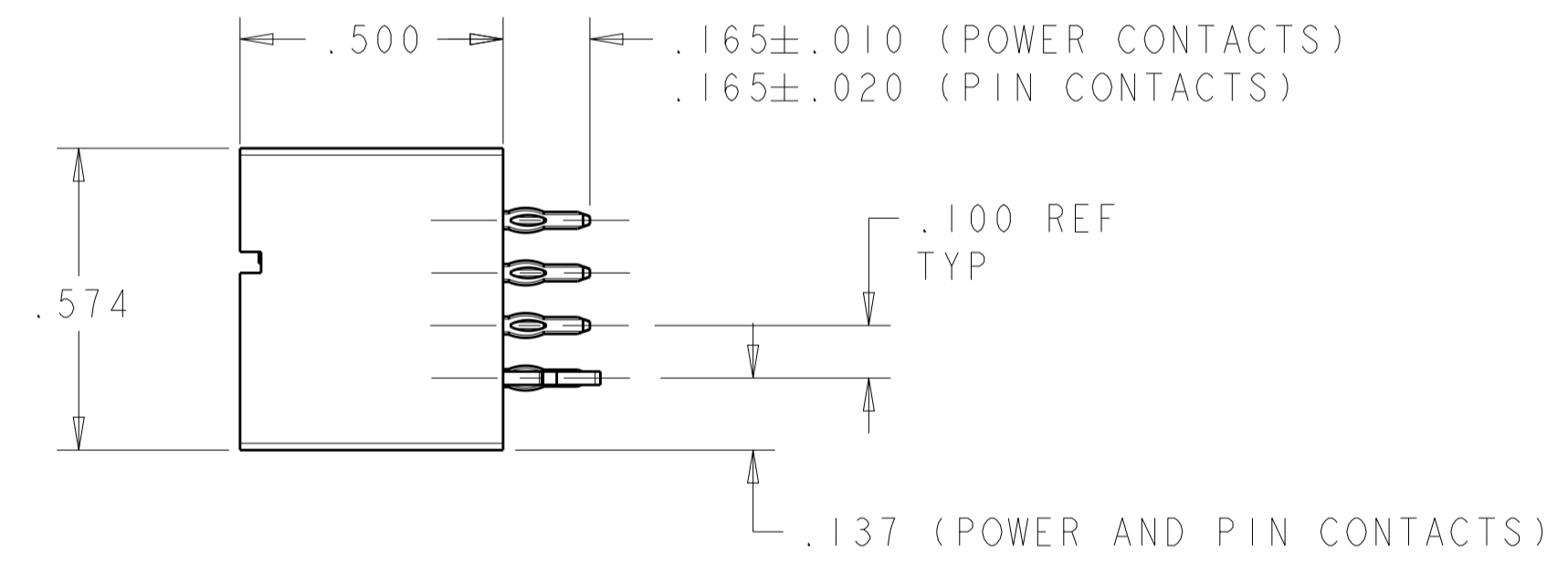
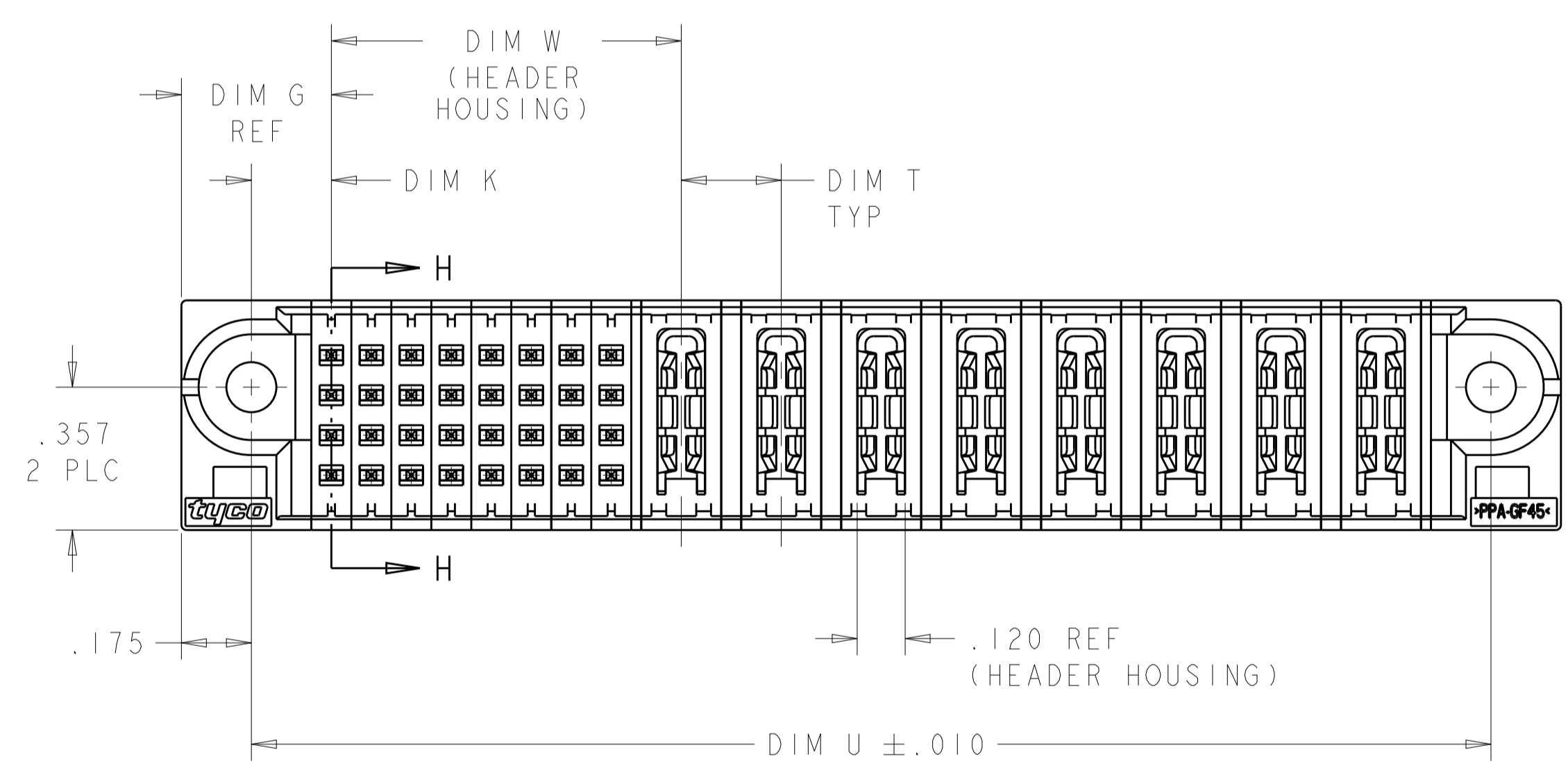


LOC	DIST	REVISIONS					
		P	LTN	DESCRIPTION	DATE	DMN	APVD
ES	00						
		ES	REV	PWE ECR-12-021188	10DEC2012	ML	SZ



SECTION H-H



- △ HEADER HOUSING: THERMO PLASTIC, BLACK, UL94 V-0; CONTACTS: COPPER ALLOY.
- △ CONTACT PLATING: NOBLE METAL PLATING ON CONTACT FUNCTIONAL AREA OF POWER AND SIGNAL CONTACTS.
- △ "AMP", PART NUMBER AND DATE CODE MARKED IN THIS AREA. PARTS UNDER 2.50 LONG MAY BE MARKED ON BOTH SIDES.
- △ DATUM AND BASIC DIMENSIONS ESTABLISHED BY CUSTOMER.
- △ PCB - ALL HOLE DIAMETERS ARE FINISHED HOLE SIZES.
- 6. A SEATING TOOL IS REQUIRED TO SEAT THE HEADER ON THE P.C. BOARD. PLEASE REFER TO THE 114-13038 APPLICATION SPEC.
- △ MECHANICAL CONNECTOR KEEP OUT ZONE.
- △ NOT RELEASED FOR PRODUCTION.

.225	6.000	1.275	.250	6.350	.200	.375	6.050	NO	48S + 18P	6600323-9
.225	4.650	1.675	.250	5.000	.200	.375	4.700	NO	64S + 11P	6600323-8
.225	3.800	3.075	.250	4.150	.200	.375	3.850	YES	120S + 2P	6600323-7
.225	2.800	.200	.300	3.150	.200	.375	2.850	NO	4S + 8ACP	6600323-6
.225	3.800	1.075	.250	4.150	.200	.375	3.850	NO	40S + 10P	6600323-5
.225	1.500	-	-	1.850	.200	.375	1.550	NO	48S	6600323-4
.225	2.400	.675	.250	2.750	.200	.375	2.450	NO	24S + 6P	6600323-3
.225	2.900	.675	.250	3.250	.200	.375	2.950	NO	24S + 8P	6600323-2
.225	3.100	.875	.250	3.450	.200	.375	3.150	NO	32S + 8P	6600323-1
DIM TT	DIM U	DIM W	DIM T	DIM L	DIM K	DIM G	DIM D	RETENTION CLIP	DESCRIPTION	PART NUMBER

THIS DRAWING IS A CONTROLLED DOCUMENT.

DMN: J. McCLINTON 15AUG05
 CHK: D. TROUT 15AUG05
 APVD: B. MLYNE 15AUG05

TE Connectivity

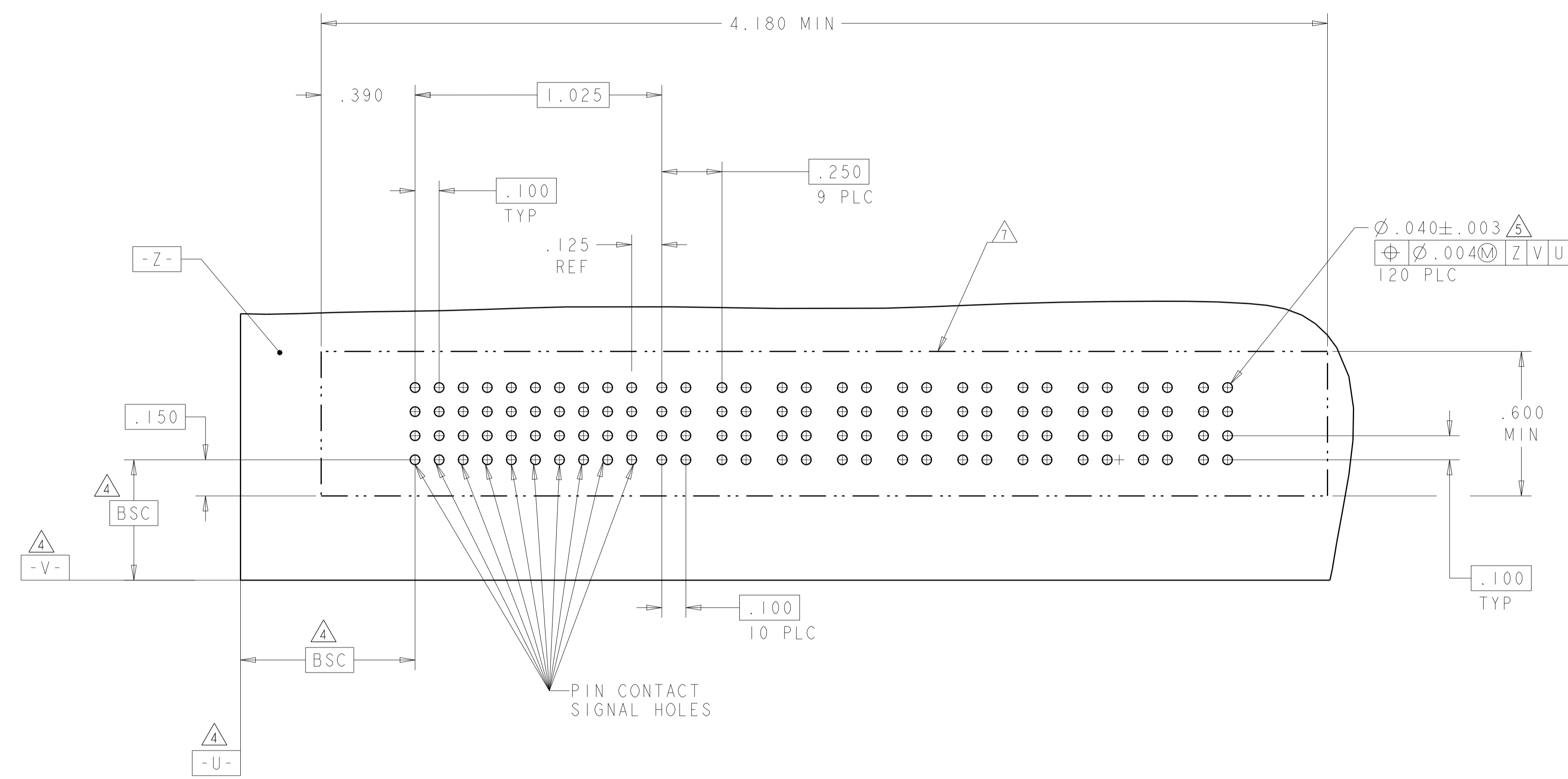
NAME: VERTICAL HEADER ASSEMBLY, W/GUIDES, PRESS FIT, TYPE SP, MULTI-BEAM XL

SIZE: A1 00779 C=6600323

SCALE: 3:1 SHEET 1 OF 7 REV: E5

LOC	DIST	REVISIONS					
		P	LTN	DESCRIPTION	DATE	DWN	APVD
ES	00	-	-	SEE SHEET 1	-	-	-

PART NUMBER	ROWS	SIGNAL										POWER									
		1	2	3	4	5	6	7	8	9	10	P1	P2	P3	P4	P5	P6	P7	P8	P9	P10
6600323-5	D	EV	EV	EV	EV	EV	EV	EV	EV	EV	EV	VM	VM	VM	VM	VM	VM	VM	VM	VM	VM
	C	EV	EV	EV	EV	EV	EV	EV	EV	EV	EV	VM	VM	VM	VM	VM	VM	VM	VM	VM	VM
	B	EV	EV	EV	EV	EV	EV	EV	EV	EV	EV	VM	VM	VM	VM	VM	VM	VM	VM	VM	VM
	A	EV	EV	EV	EV	EV	EV	EV	EV	EV	EV	VM	VM	VM	VM	VM	VM	VM	VM	VM	VM
40S+10P																					



RECOMMENDED PCB LAYOUT 6600323-5
 SCALE 3:1

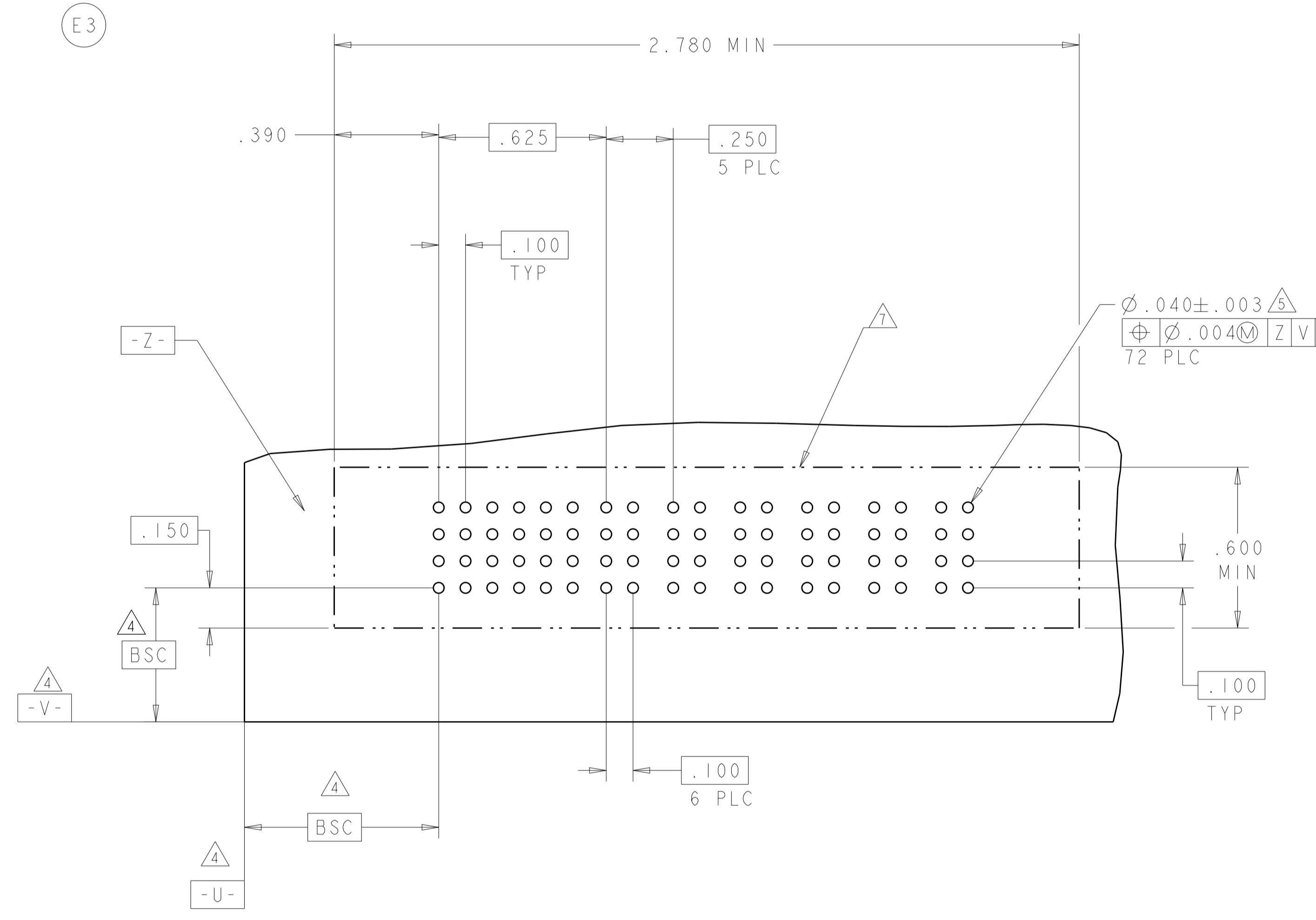
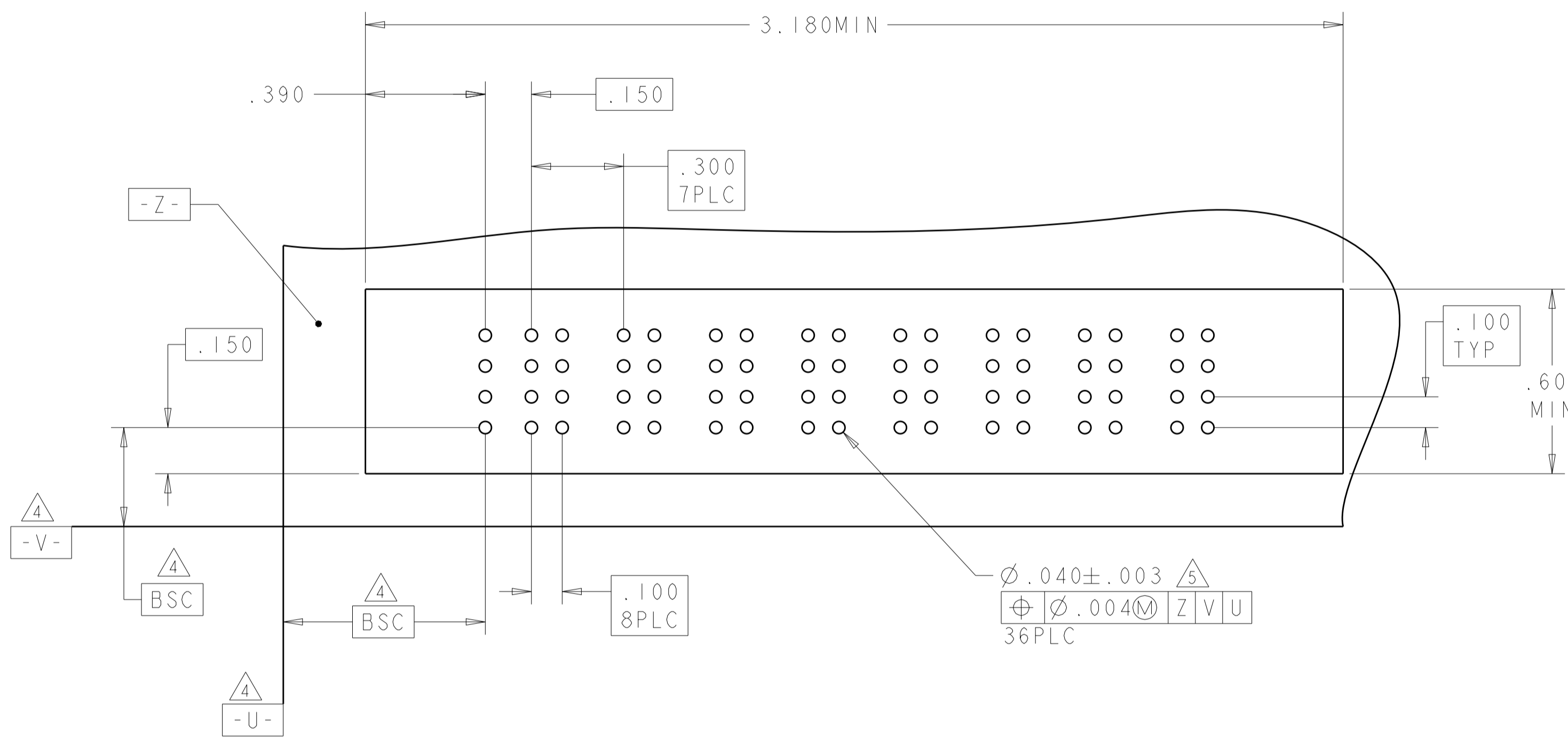
THIS DRAWING IS A CONTROLLED DOCUMENT.		DWN J. McCLINTON 15AUG05	TE Connectivity NAME VERTICAL HEADER ASSEMBLY, W/GUIDES, PRESS FIT, TYPE SP, MULTI-BEAM XL
DIMENSIONS: INCH		CHK D. TROUT 15AUG05	
TOLERANCES UNLESS OTHERWISE SPECIFIED: 0 PLC ± 1 PLC ± 2 PLC ± 3 PLC ±0.005 4 PLC ±0.0005 ANGLES ±		APVD P. WHYNE 15AUG05	PRODUCT SPEC
		APPLICATION SPEC	RESTRICTED TO
MATERIAL	FINISH	WEIGHT	SIZE CAGE CODE DRAWING NO A100779C=6600323
CUSTOMER DRAWING		SCALE 3:1	SHEET 3 OF 7 REV E5

LOC	DIST	REV	DATE	BY	APPV
ES	00				

REVISIONS					
REV	DATE	BY	APPV	DESCRIPTION	DATE
-	-	-	-	SEE SHEET 1	-

PART NUMBER	ROWS	SIGNAL		POWER								
		I	P1	P2	P3	P4	P5	P6	P7	P8		
6600323-6	D	EV										
	C	EV	VM	VM	VM	VM	VM	VM	VM	VM		
	B	EV										
	A	EV										
4S + 8ACP												

PART NUMBER	ROWS	SIGNAL						POWER					
		1	2	3	4	5	6	P1	P2	P3	P4	P5	P6
6600323-3	D	EV	EV	EV	EV	EV	EV						
	C	EV	EV	EV	EV	EV	EV	VM	VM	VM	VM	VM	VM
	B	EV	EV	EV	EV	EV	EV						
	A	EV	EV	EV	EV	EV	EV						
24S+6P													



THIS DRAWING IS A CONTROLLED DOCUMENT.

DIMENSIONS:	TOLERANCES UNLESS OTHERWISE SPECIFIED:	OWN	J. McCLINTON	15AUG05
INCH	0 PLC ±	CHK	D. TROUT	15AUG05
	1 PLC ±	APPV	P. WHYNE	15AUG05
	2 PLC ±	PRODUCT SPEC		
	3 PLC ±	APPLICATION SPEC		
	4 PLC ±0.005	WEIGHT		
	ANGLES ±0.0005	CUSTOMER DRAWING		
MATERIAL	FINISH	SCALE	3:1	SHEET 4 OF 7

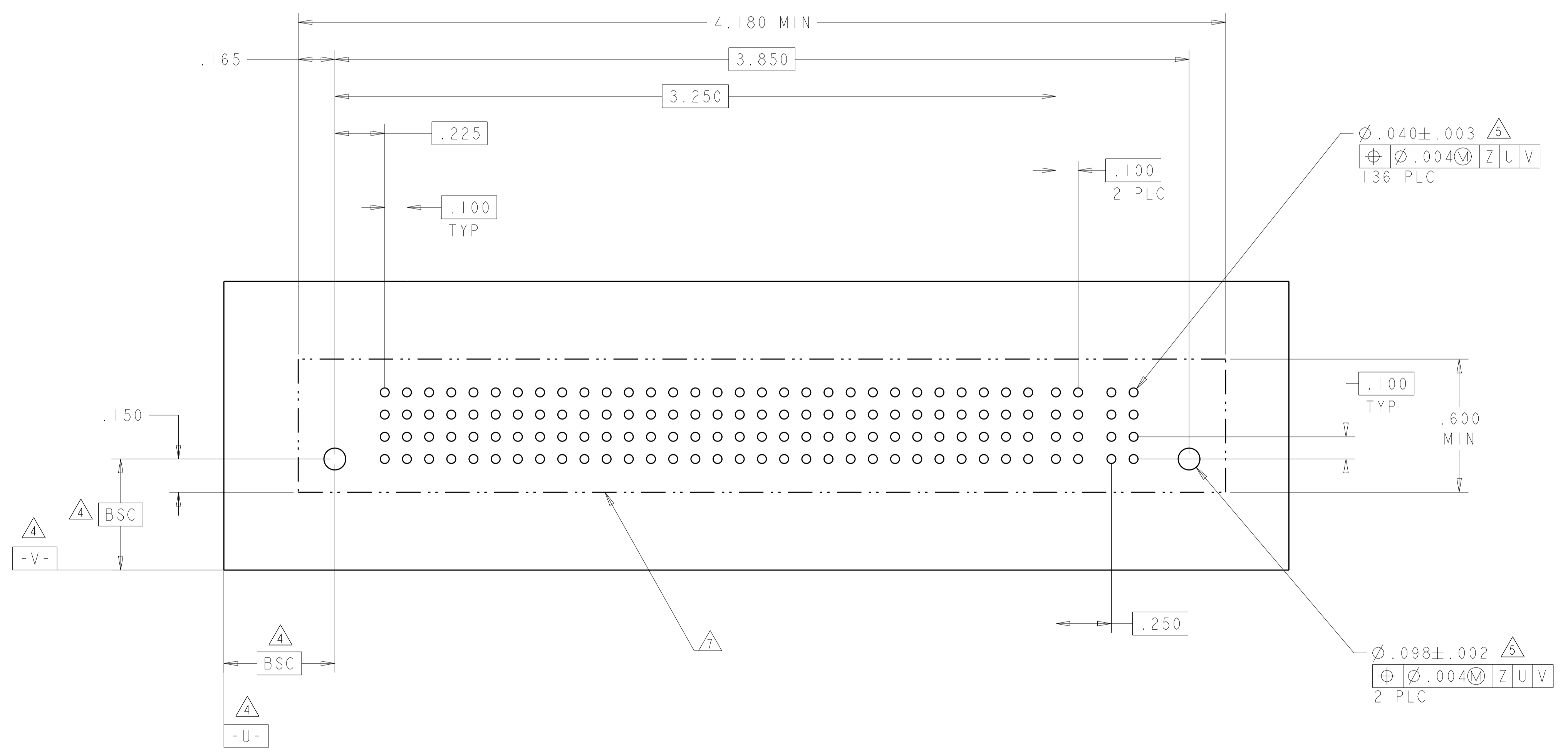
NAME: VERTICAL HEADER ASSEMBLY, W/GUIDES, PRESS FIT, TYPE SP, MULTI-BEAM XL

SIZE: A1 CAGE CODE: DRAWING NO: 6600323

REV: E5

LOC	DIST	REVISIONS			
P	LTN	DESCRIPTION	DATE	DMN	APVD
ES	00	SEE SHEET 1	-	-	-

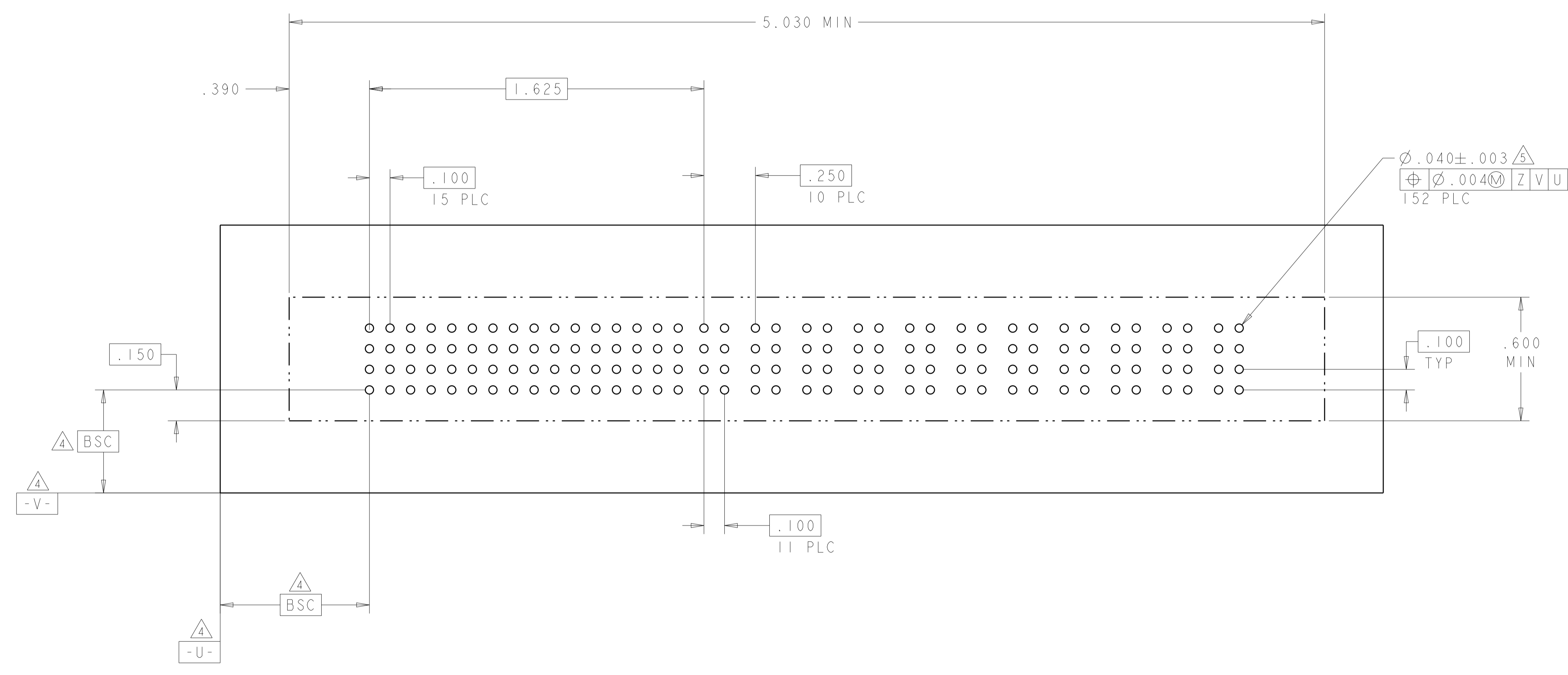
PART NUMBER	ROWS	SIGNAL																														POWER				
		1	2	3	4	5	6	7	8	9	10	11	12	13	14	15	16	17	18	19	20	21	22	23	24	25	26	27	28	29	30	P1	P2			
6600323-7	D	EV	EV	EV	EV	EV	EV	EV	EV	EV	EV	EV	EV	EV	EV	EV	EV	EV	EV	EV	EV	EV	EV	EV	EV	EV	EV	EV	EV	EV	EV	EV	EV	EV	VM	VM
	C	EV	EV	EV	EV	EV	EV	EV	EV	EV	EV	EV	EV	EV	EV	EV	EV	EV	EV	EV	EV	EV	EV	EV	EV	EV	EV	EV	EV	EV	EV	EV	EV	EV	EV	EV
	B	EV	EV	EV	EV	EV	EV	EV	EV	EV	EV	EV	EV	EV	EV	EV	EV	EV	EV	EV	EV	EV	EV	EV	EV	EV	EV	EV	EV	EV	EV	EV	EV	EV	EV	EV
	A	EV	EV	EV	EV	EV	EV	EV	EV	EV	EV	EV	EV	EV	EV	EV	EV	EV	EV	EV	EV	EV	EV	EV	EV	EV	EV	EV	EV	EV	EV	EV	EV	EV	EV	EV
120S + 2P		HD																															HD			



THIS DRAWING IS A CONTROLLED DOCUMENT.		DMN J. McCLINTON 15AUG05	 TE Connectivity
DIMENSIONS: INCH		CHK D. TROUT 15AUG05	
TOLERANCES UNLESS OTHERWISE SPECIFIED:		APVD P. WHYNE 15AUG05	NAME VERTICAL HEADER ASSEMBLY, W/GUIDES, PRESS FIT, TYPE SP, MULTI-BEAM XL
0 PLC ± 1 PLC ± 2 PLC ± 3 PLC ±0.005 4 PLC ±0.0005 ANGLES ±		PRODUCT SPEC	SIZE A100779
MATERIAL		APPLICATION SPEC	CAGE CODE C=6600323
FINISH		WEIGHT	DRAWING NO 6600323
		CUSTOMER DRAWING	RESTRICTED TO
		SCALE 3:1	SHEET 5 OF 7
		REV E5	

LOC	DIST	REVISIONS					
		P	LTN	DESCRIPTION	DATE	DMN	APVD
ES	00	-	-	SEE SHEET 1	-	-	-

PART NUMBER	ROWS	SIGNAL																POWER											
		1	2	3	4	5	6	7	8	9	10	11	12	13	14	15	16	P1	P2	P3	P4	P5	P6	P7	P8	P9	P10	P11	
6600323-8	D	EV	EV	EV	EV	EV	EV	EV	EV	EV	EV	EV	EV	EV	EV	EV	VM	VM	VM	VM	VM	VM	VM	VM	VM	VM	VM	VM	
	C	EV	EV	EV	EV	EV	EV	EV	EV	EV	EV	EV	EV	EV	EV	EV													
	B	EV	EV	EV	EV	EV	EV	EV	EV	EV	EV	EV	EV	EV	EV	EV													
	A	EV	EV	EV	EV	EV	EV	EV	EV	EV	EV	EV	EV	EV	EV	EV													
64S + IIP																													

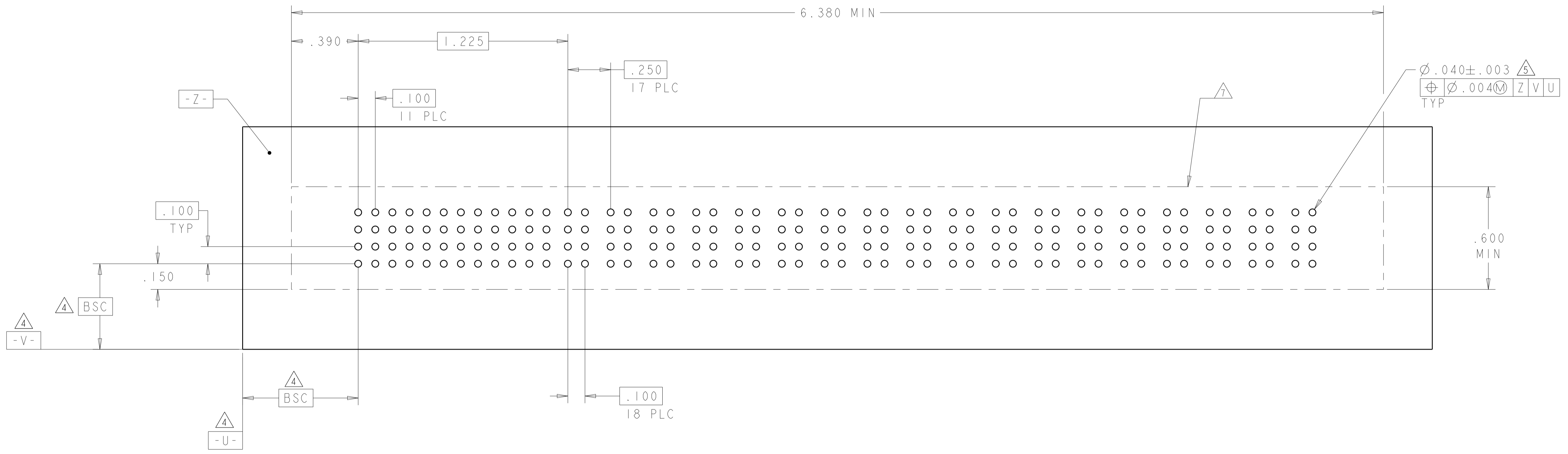


THIS DRAWING IS A CONTROLLED DOCUMENT.		DMN	J. McCLINTON	15AUG05	TE Connectivity
DIMENSIONS: INCH		CHK	D. TROUT	15AUG05	
TOLERANCES UNLESS OTHERWISE SPECIFIED:		APVD	P. WHYNE	15AUG05	NAME
0 PLC ±	1 PLC ±	PRODUCT SPEC		VERTICAL HEADER ASSEMBLY, W/GUIDES, PRESS FIT, TYPE SP, MULTI-BEAM XL	
2 PLC ±	3 PLC ±	APPLICATION SPEC		SIZE	CAGE CODE
4 PLC ±0.005	ANGLES ±	WEIGHT		A100779	C=6600323
MATERIAL		CUSTOMER DRAWING		SCALE	3:1
				SHEET	6 OF 7
				REV	E5

LOC	DIST	REVISIONS			
P	LTN	DESCRIPTION	DATE	DMN	APVD
ES	00	SEE SHEET 1	-	-	-

PART NUMBER	ROWS	SIGNAL												POWER																	
		1	2	3	4	5	6	7	8	9	10	11	12	P1	P2	P3	P4	P5	P6	P7	P8	P9	P10	P11	P12	P13	P14	P15	P16	P17	P18
6600323-9	D	EV	EV	EV	EV	EV	EV	EV	EV	EV	EV	EV	EV	VM	VM	VM	VM	VM	VM	VM	VM	VM	VM	VM	VM	VM	VM	VM	VM	VM	VM
	C	EV	EV	EV	EV	EV	EV	EV	EV	EV	EV	EV	EV	VM	VM	VM	VM	VM	VM	VM	VM	VM	VM	VM	VM	VM	VM	VM	VM	VM	VM
	B	EV	EV	EV	EV	EV	EV	EV	EV	EV	EV	EV	EV	VM	VM	VM	VM	VM	VM	VM	VM	VM	VM	VM	VM	VM	VM	VM	VM	VM	VM
	A	EV	EV	EV	EV	EV	EV	EV	EV	EV	EV	EV	EV	VM	VM	VM	VM	VM	VM	VM	VM	VM	VM	VM	VM	VM	VM	VM	VM	VM	VM
48S + 18P																															

(E1)



THIS DRAWING IS A CONTROLLED DOCUMENT.		DMN J. McCLINTON 15AUG05	 TE Connectivity
DIMENSIONS: INCH		CHK D. TROUT 15AUG05	
TOLERANCES UNLESS OTHERWISE SPECIFIED:		APVD P. WHYNE 15AUG05	NAME VERTICAL HEADER ASSEMBLY, W/GUIDES, PRESS FIT, TYPE SP, MULTI-BEAM XL
0 PLC ±. 1 PLC ±. 2 PLC ±. 3 PLC ±. 4 PLC ±0.005 ANGLES ±.		PRODUCT SPEC	SIZE A100779
MATERIAL		APPLICATION SPEC	CAGE CODE C=6600323
FINISH		WEIGHT	DRAWING NO 6600323
		CUSTOMER DRAWING	RESTRICTED TO
		SCALE 3:1	SHEET 7 OF 7
		REV E5	

Mouser Electronics

Authorized Distributor

Click to View Pricing, Inventory, Delivery & Lifecycle Information:

[TE Connectivity:](#)

[6600323-7](#)