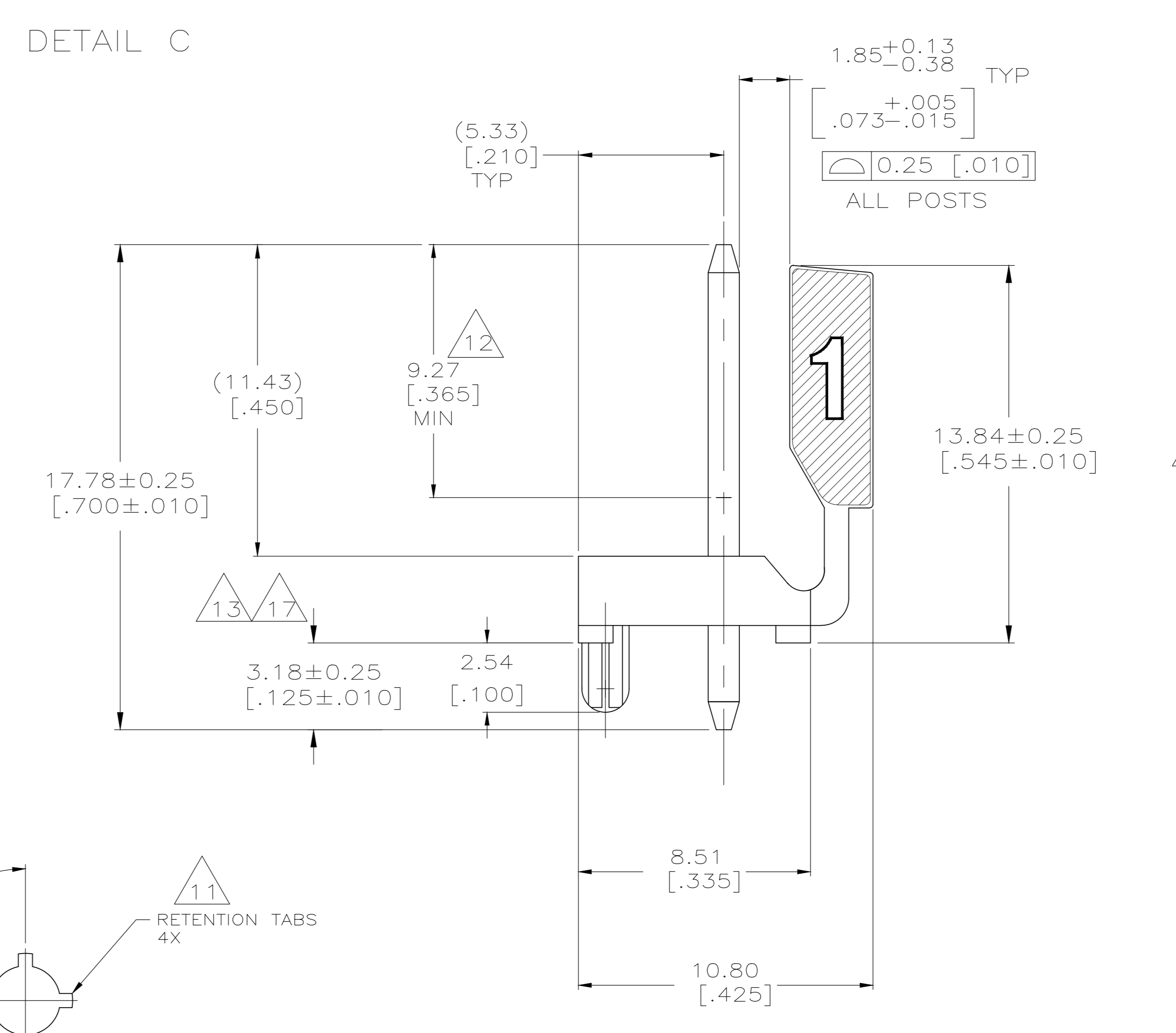
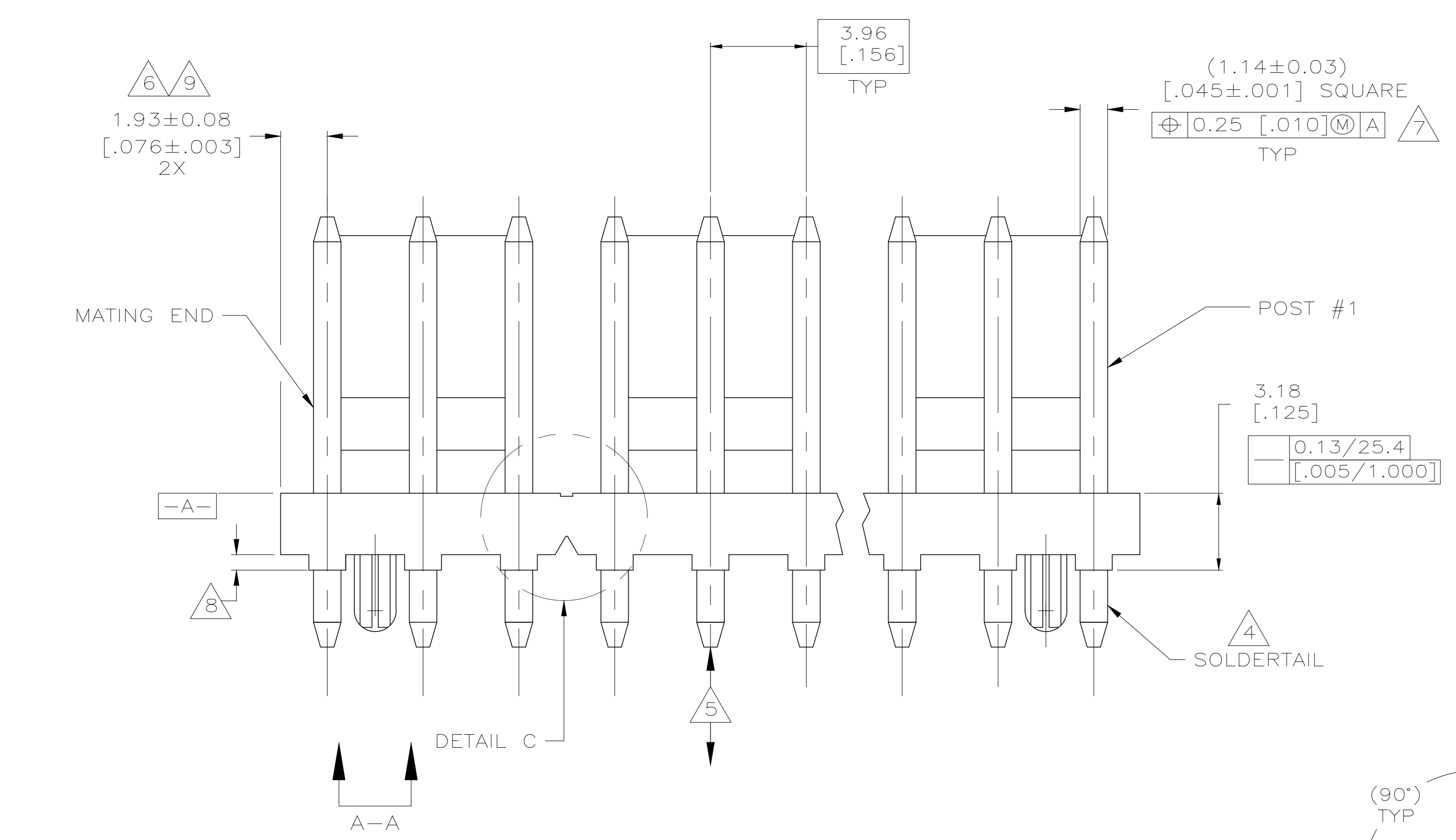
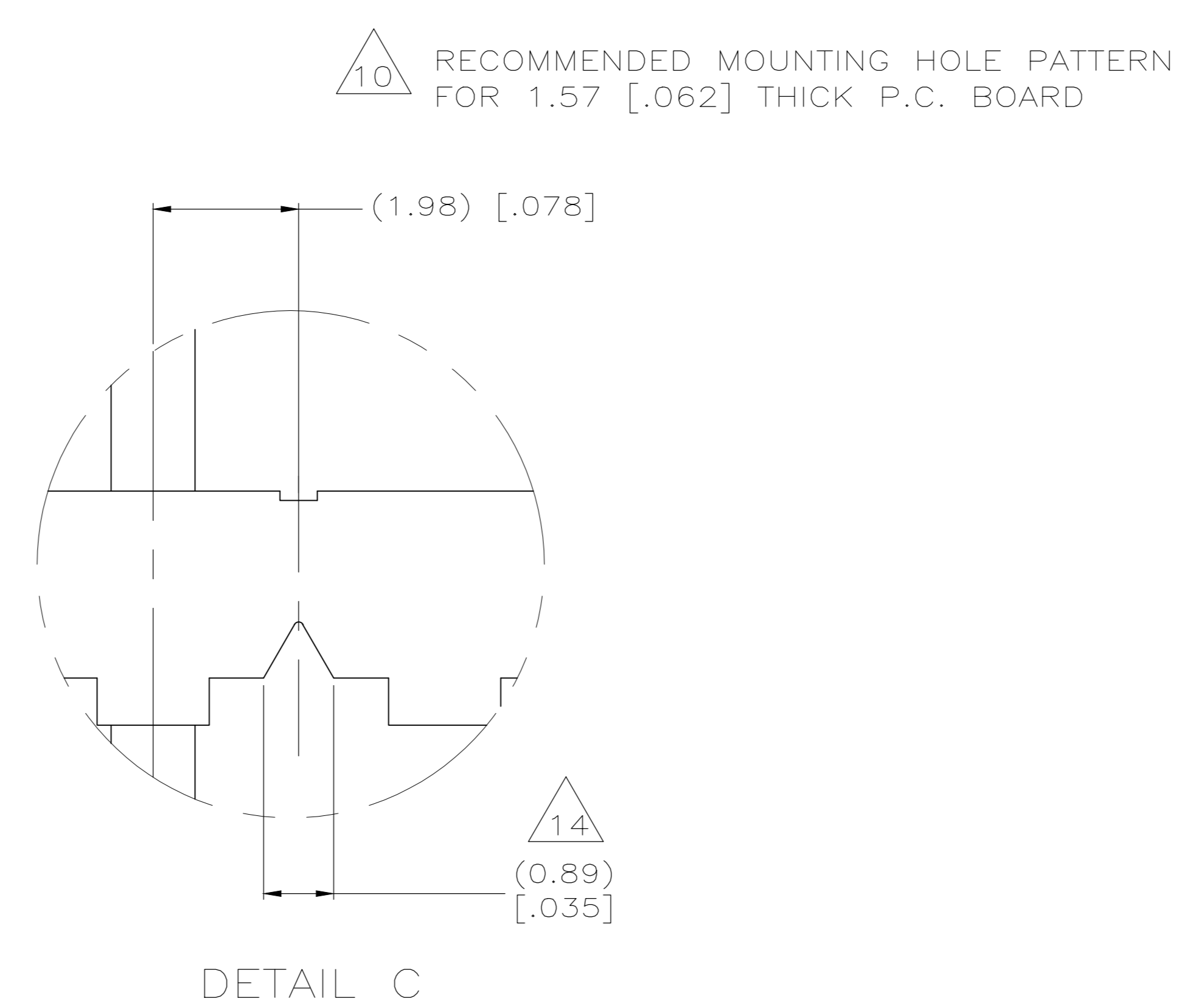
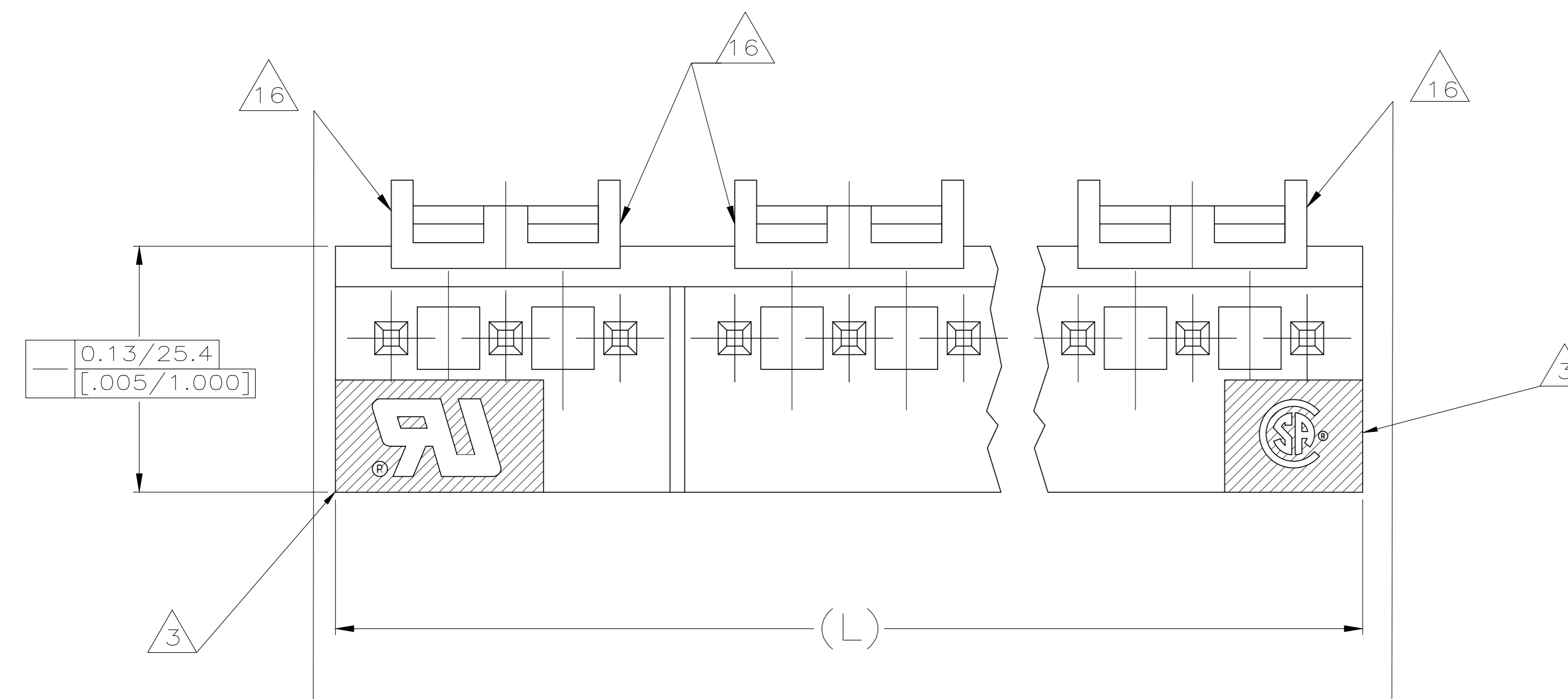
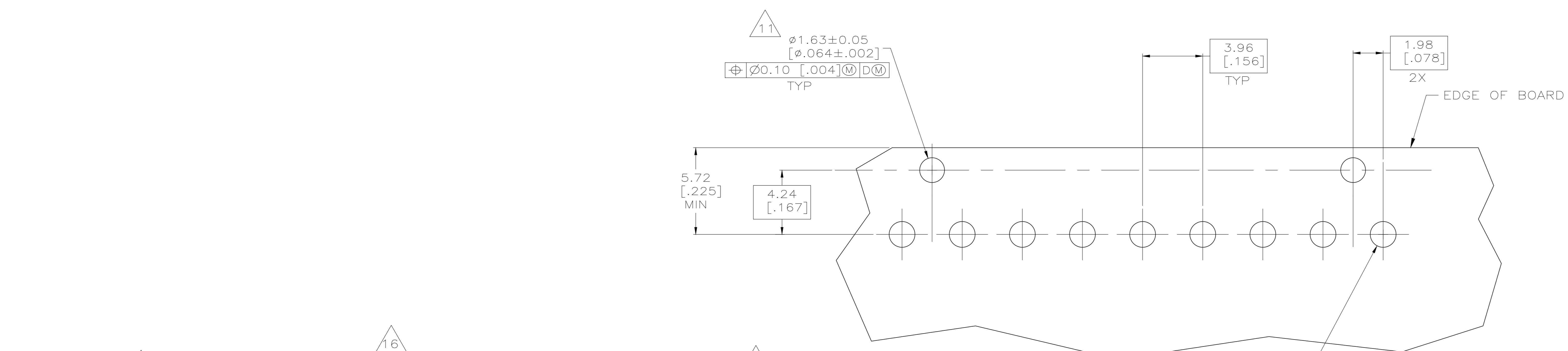


| REVISIONS |      |                           |           |
|-----------|------|---------------------------|-----------|
| P.        | REV. | DESCRIPTION               | DATE      |
| C         | 1    | REVISED PER ECO-19-010465 | 09JUL2019 |



- 1 MATERIAL HOUSING: THERMOPLASTIC POLYESTER, GLASS FILLED, UL94V-0 POST: COPPER ALLOY
- 2 FINISH HOUSING: NATURAL POST: SEE NOTES 12, 13 & 17 FOR PLATING.
- 3 UL MARKING MAY NOT APPEAR ON THE 2 OR 3 POSITION SIZES. CSA MARKING MAY NOT APPEAR ON THE 2 POSITION SIZE.
- 4 POST SOLDERTAILS COMPLY WITH TYCO SOLDERABILITY SPECIFICATION 109-11-12.
- 5 POST WITHSTANDS 13.34 NEWTONS (3 LBS) MINIMUM AXIAL FORCE IN EITHER DIRECTION WITHOUT DISLODGING.
- 6 APPLIES AT -A-
- 7 APPLIES WHEN THE HEADER IS STRAIGHT.
- 8 PLASTIC PROJECTIONS PERMITTED IN THIS ZONE.
- 9 COORDINATE DIMENSIONS APPLIES FROM CENTER OF THE ACTUAL FEATURE.
- 10 SOLDER SIDE OF BOARD IS SHOWN.
- 11 THE RETENTION TABS PROVIDE A ONE-TIME INTERFERENCE FIT IN THE 1.63 [0.064] DIAMETER BOARD HOLES FOR HEADER ASSEMBLY RETENTION DURING SOLDERING. FOUR TABS PER PEG, TWO PEGS PER HEADER ASSEMBLY (ONE PEG ONLY FOR 2 POSITION SIZE).
- 12 PLATING: GOLD PLATE AREA, 0.00076 [0.000030] GOLD OR 0.00008 [0.000003] MIN GOLD FLASH OVER 0.00068 [0.000027] PALLADIUM NICKEL, PER TE CONNECTIVITY'S DISCRETION, ALL SIDES, OVER NICKEL UNDERPLATE, 0.00127 [0.000050] MIN, ALL SIDES AND ENTIRE LENGTH OF POST.
- 13 PLATING: BRIGHT TIN-LEAD (93/7) PLATE AREA, 0.00381-0.00889 [0.000150-.000350] THICK, ALL FOUR SIDES, OVER, 3.18 [0.125] MINIMUM.
- 14 DIMENSIONS IN BRACKETS ARE IN INCHES.
- 15 ALL POSITION SIZES HAVE THE BACK WALL NOTCHED ON BOTH ENDS AS SHOWN. THE 2 THRU 5 POSITION SIZES HAVE SOLID BACK WALLS. POSITION SIZES 6 AND ABOVE HAVE AN INTERRUPTED BACK WALLS AT VARIOUS LOCATIONS (SEE TABLE FOR INTERRUPTION(S) LOCATIONS).
- 16 EDGE OF POLARIZING LOCK WALL TO BE IN LINE WITH CENTERLINE OF ADJACENT POST WITHIN ±0.13 [0.005].
- 17 PLATING: MATTE TIN PLATE AREA, 0.00381-0.00889 [0.000150-.000350] THICK, ALL FOUR SIDES, OVER, 3.18 [0.125] MINIMUM.

|     |      |       |       |       |         |    |            |
|-----|------|-------|-------|-------|---------|----|------------|
| 4&5 | 7&8  | 11&12 | 14&15 | 71.20 | [2.803] | 18 | 4-644631-8 |
| 4&5 | 7&8  | 10&11 | 13&14 | 67.23 | [2.647] | 17 | 4-644631-7 |
| 4&5 | 8&9  | 12&13 |       | 63.27 | [2.491] | 16 | 4-644631-6 |
| 4&5 | 8&9  | 11&12 |       | 59.31 | [2.335] | 15 | 4-644631-5 |
| 4&5 | 7&8  | 10&11 |       | 55.35 | [2.179] | 14 | 4-644631-4 |
| 4&5 | 7&8  | 10&11 |       | 51.38 | [2.023] | 13 | 4-644631-3 |
| 4&5 | 8&9  |       |       | 47.42 | [1.867] | 12 | 4-644631-2 |
| 4&5 | 7&8  |       |       | 43.46 | [1.711] | 11 | 4-644631-1 |
| 3&4 | 7&8  |       |       | 39.50 | [1.555] | 10 | 4-644631-0 |
| 3&4 | 6&7  |       |       | 35.53 | [1.399] | 9  | 3-644631-9 |
| 4&5 |      |       |       | 31.57 | [1.243] | 8  | 3-644631-8 |
| 4&5 |      |       |       | 27.61 | [1.087] | 7  | 3-644631-7 |
| 3&4 |      |       |       | 23.65 | [0.931] | 6  | 3-644631-6 |
|     | NONE |       |       | 19.69 | [0.775] | 5  | 3-644631-5 |
|     | NONE |       |       | 15.72 | [0.619] | 4  | 3-644631-4 |
|     | NONE |       |       | 11.76 | [0.463] | 3  | 3-644631-3 |
|     | NONE |       |       | 7.80  | [0.307] | 2  | 3-644631-2 |

|                                       |      |       |       |       |         |             |            |
|---------------------------------------|------|-------|-------|-------|---------|-------------|------------|
| 4&5                                   | 7&8  | 11&12 | 14&15 | 71.20 | [2.803] | 18          | 1-644631-8 |
| 4&5                                   | 7&8  | 10&11 | 13&14 | 67.23 | [2.647] | 17          | 1-644631-7 |
| 4&5                                   | 8&9  | 12&13 |       | 63.27 | [2.491] | 16          | 1-644631-6 |
| 4&5                                   | 8&9  | 11&12 |       | 59.31 | [2.335] | 15          | 1-644631-5 |
| 4&5                                   | 7&8  | 10&11 |       | 55.35 | [2.179] | 14          | 1-644631-4 |
| 4&5                                   | 7&8  | 10&11 |       | 51.38 | [2.023] | 13          | 1-644631-3 |
| 4&5                                   | 8&9  |       |       | 47.42 | [1.867] | 12          | 1-644631-2 |
| 4&5                                   | 7&8  |       |       | 43.46 | [1.711] | 11          | 1-644631-1 |
| 3&4                                   | 7&8  |       |       | 39.50 | [1.555] | 10          | 1-644631-0 |
| 3&4                                   | 6&7  |       |       | 35.53 | [1.399] | 9           | 1-644631-9 |
| 4&5                                   |      |       |       | 31.57 | [1.243] | 8           | 1-644631-8 |
| 4&5                                   |      |       |       | 27.61 | [1.087] | 7           | 1-644631-7 |
| 3&4                                   |      |       |       | 23.65 | [0.931] | 6           | 1-644631-6 |
|                                       | NONE |       |       | 19.69 | [0.775] | 5           | 1-644631-5 |
|                                       | NONE |       |       | 15.72 | [0.619] | 4           | 1-644631-4 |
|                                       | NONE |       |       | 11.76 | [0.463] | 3           | 1-644631-3 |
|                                       | NONE |       |       | 7.80  | [0.307] | 2           | 1-644631-2 |
| BACK WALL INTERRUPTIONS BETWEEN POSTS |      |       |       | (L)   |         | NO. OF POSN | ASSEMBLY   |

18 OBSOLETE PARTS: OBSOLETE CIS STREAMLINING PER D.RENAUD/D.SINISI  
 19 OBSOLETE PART NUMBERS

VIEW A-A  
 SCALE 16:1

THIS DRAWING IS A CONTROLLED DOCUMENT.

|                         |                         |                   |
|-------------------------|-------------------------|-------------------|
| DESIGNED BY: [REDACTED] | DESIGNED BY: [REDACTED] | DATE: 25-FEB-2005 |
| DRW. NO.: [REDACTED]    | DRW. NO.: [REDACTED]    | DATE: 25-FEB-2005 |
| REV. NO.: [REDACTED]    | REV. NO.: [REDACTED]    | DATE: 25-FEB-2005 |

PRODUCT SPEC: 114-1020  
 APPLICATION SPEC: 114-1020  
 WEIGHT: 0.000000  
 MATERIAL: [REDACTED]  
 FINISH: [REDACTED]

TE Connectivity  
 - MTA .156 HDR ASM, STRIGHT, STRIGHT .045 SQ POST, .000030 AU PLTD, W/ RETENTION PEGS  
 SIZE: [REDACTED] TARGE CODE: [REDACTED] DRAWING NO: [REDACTED]  
 CUSTOMER DRAWING SCALE: N/A SHEET: 1 of 1 REV: G

# Mouser Electronics

Authorized Distributor

Click to View Pricing, Inventory, Delivery & Lifecycle Information:

[TE Connectivity:](#)

[644631-6](#)