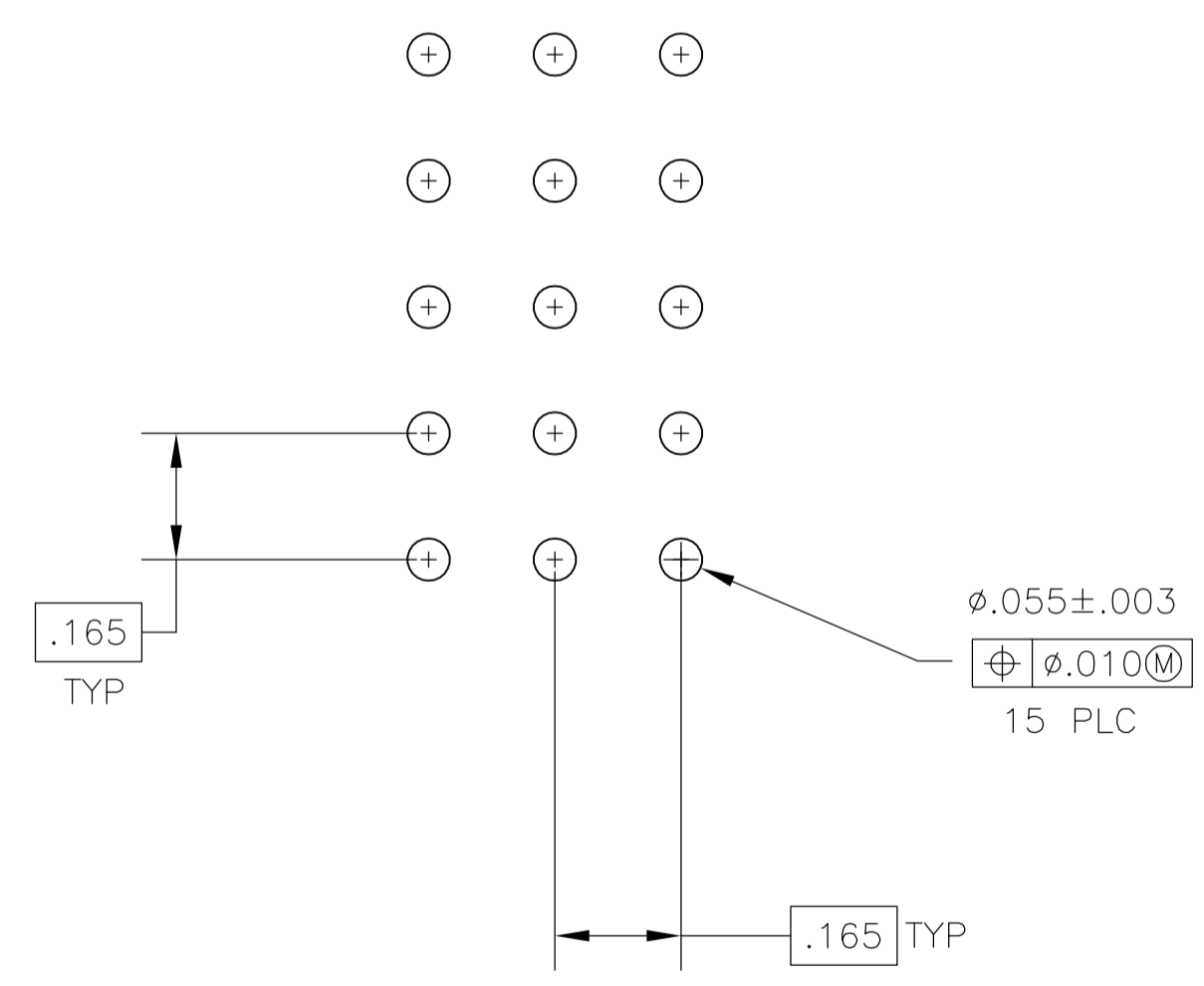
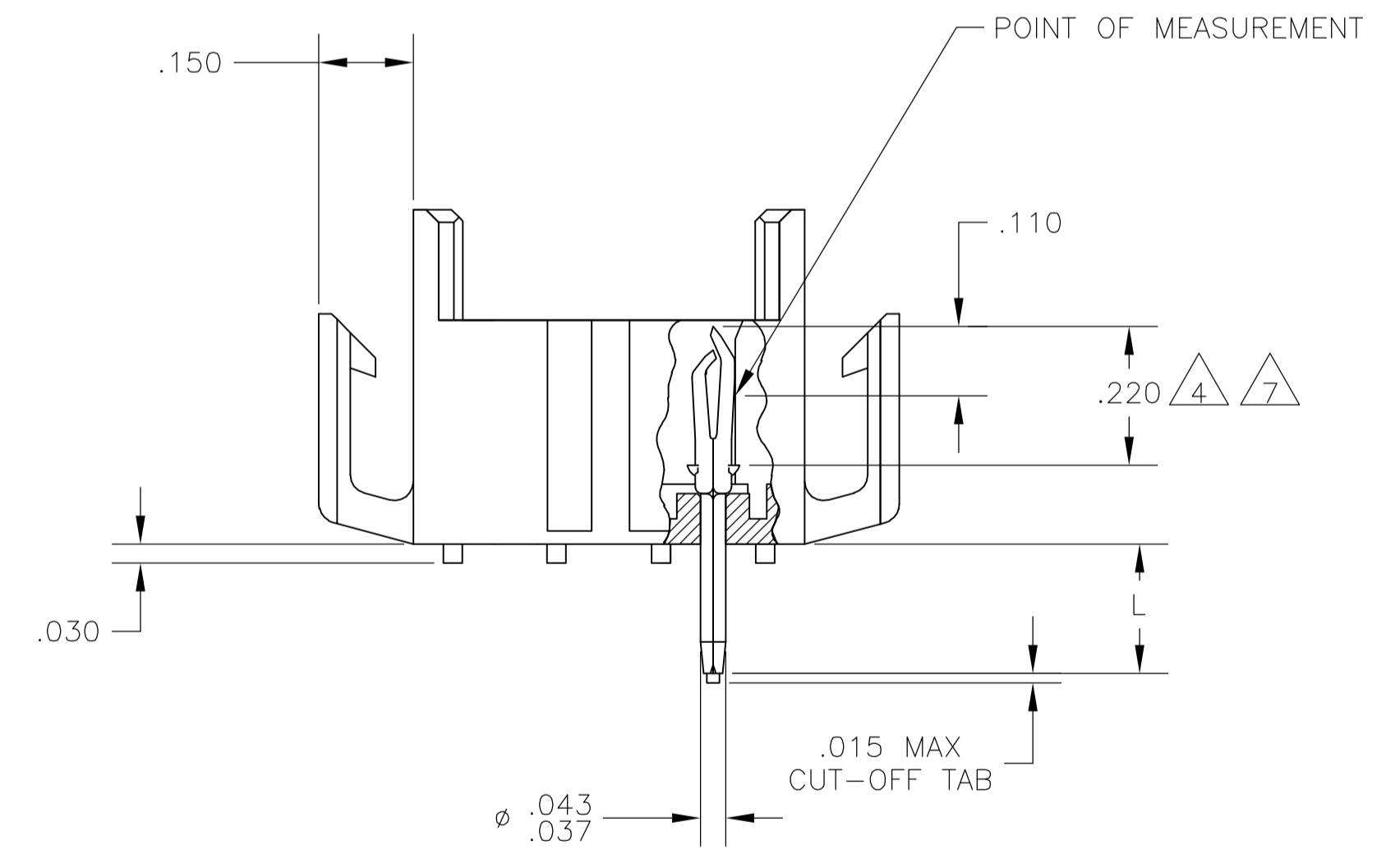


1. FITS SOCKET HOUSING 640523.
2. ASSEMBLY CONFORMS TO AMP SOLDERABILITY SPEC. 109-11-3.
3. FOR USE WITH .063 THICK P.C. BOARD.
4. CONTACT IS PLATED OVERALL WITH .000050 NICKEL, THEN .000030 GOLD OVER CONTACT LENGTH INDICATED AND .000150 MATTE TIN-LEAD ON SOLDER TAIL END.
5. UL AND CSA LOGO LOCATED ON THIS SURFACE.
6. FOR USE WITH .120 THICK P.C. BOARD.
7. CONTACT IS PLATED OVERALL WITH .000050 NICKEL, THEN .000030 GOLD OVER CONTACT LENGTH INDICATED AND .000150 MATTE TIN ON SOLDER TAIL END.



RECOMMENDED P.C. BOARD LAYOUT



.010	0.25	.055	1.40	.220	5.59	-	-
.008	0.20	.043	1.09	.210	5.33	-	-
.005	0.13	.037	0.94	.165	4.19	-	-
.003	0.08	.030	0.76	.150	3.81	.950	24.13
.000050	0.00127	.020	0.51	.110	2.79	.620	15.75
.000030	0.00076	.015	0.38	.063	1.60	.530	13.46
IN	MM	IN	MM	IN	MM	IN	MM

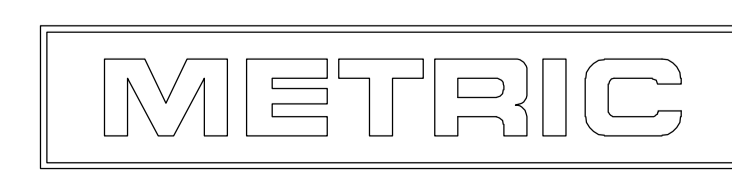
CONVERSION TABLE

.210	6	BRICK RED	GOLD	7	2-640503-4
.150	3	BRICK RED	GOLD	7	2-640503-2
.210	6	BRICK RED	GOLD	4	640503-4
.210	6	BRICK RED	PRE-TIN		640503-3
.150	3	BRICK RED	GOLD	4	640503-2
.150	3	BRICK RED	PRE-TIN		640503-1
"L" +.010 -.020		HOUSING COLOR	PIN FINISH		PART NUMBER

THIS DRAWING IS A CONTROLLED DOCUMENT.

DIMENSIONS: INCHES	TOLERANCES UNLESS OTHERWISE SPECIFIED:	DRAWN: J. HUFFMAN 28 APR 98	DESIGNED: R. SWING 28 APR 98	APPROVED: T. REDDICK 28 APR 98	NAME: T. REDDICK	DATE: 28 APR 98	COMPANY: Tyco Electronics Corporation	ADDRESS: Harrisburg, PA 17105-3608
MATERIAL: HOUSING FLAME RETARDANT (UL 94V-0) PIN .008 PH BRZ.	FINISH: SEE TABLE	WEIGHT: -	SIZE: A1	SCALE: 4:1	CAGE CODE: 00779	DRAWING NO: 640503	RESTRICTED TO: -	

CUSTOMER DRAWING



Mouser Electronics

Authorized Distributor

Click to View Pricing, Inventory, Delivery & Lifecycle Information:

[TE Connectivity:](#)

[640503-2](#)