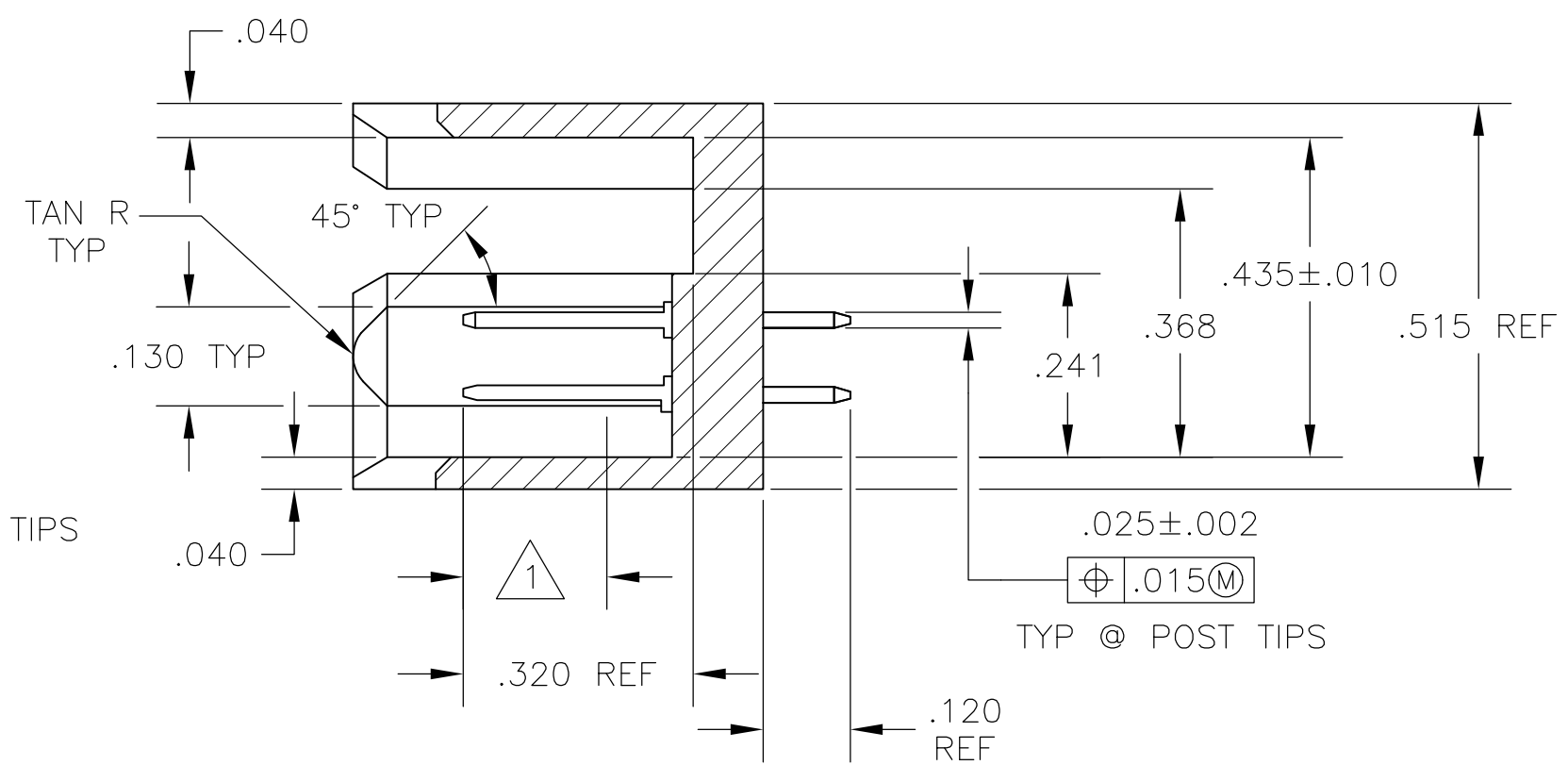
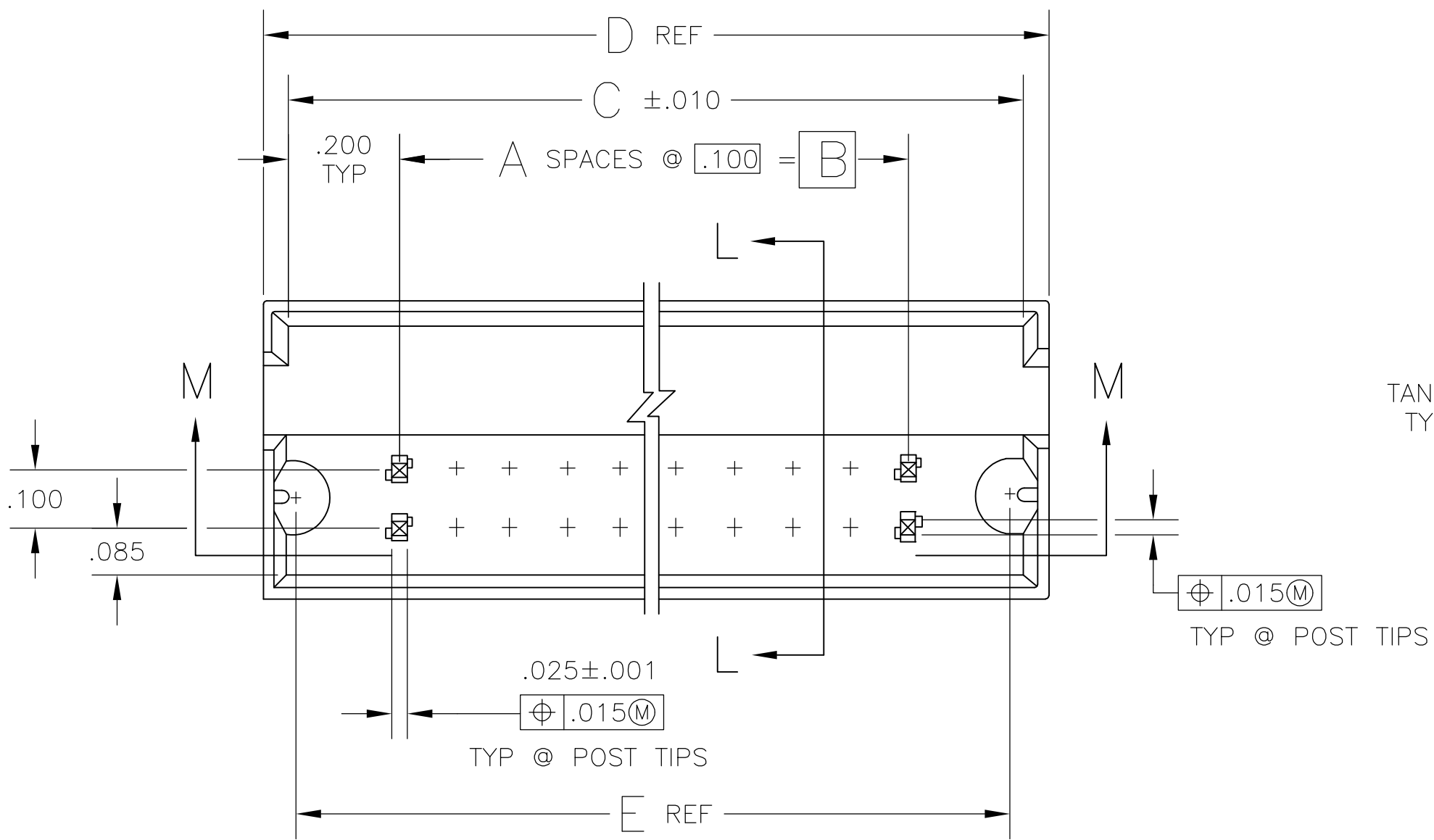


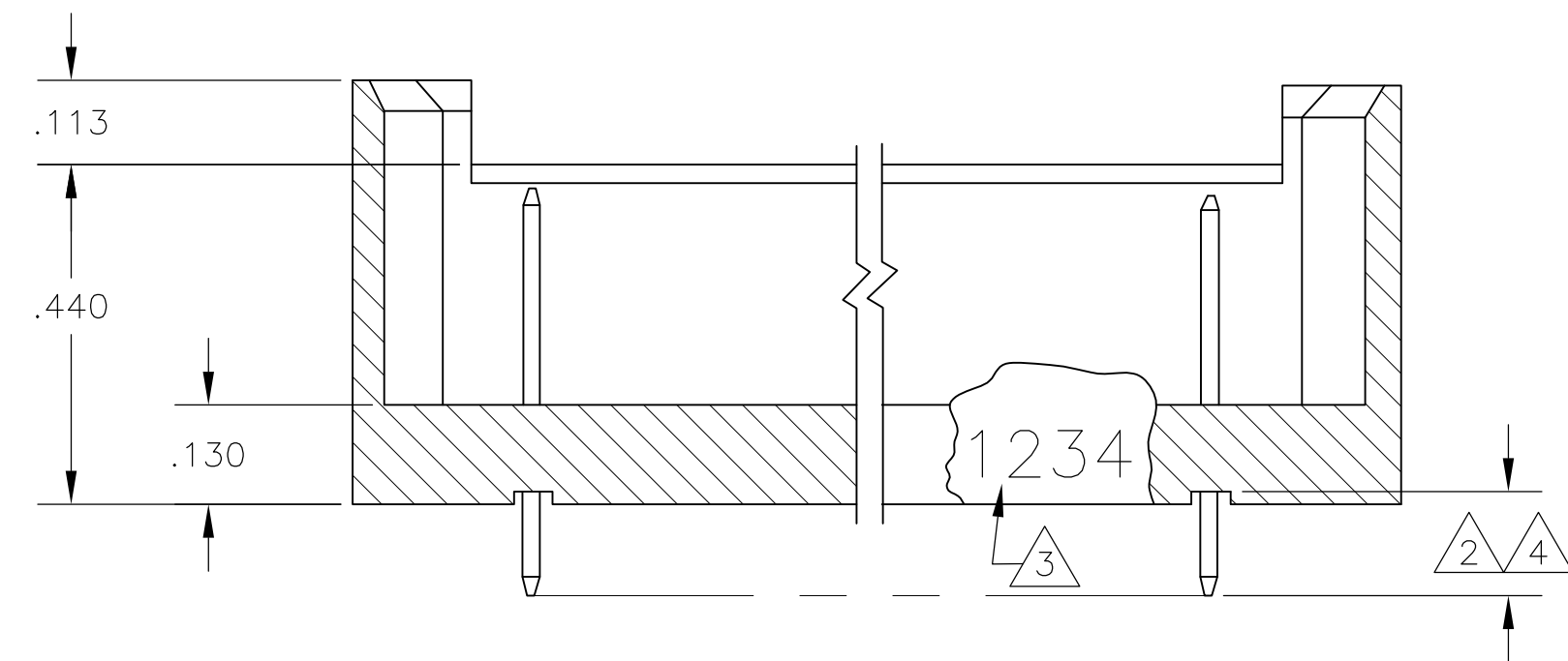
THIS DRAWING IS UNPUBLISHED. RELEASED FOR PUBLICATION
© COPYRIGHT BY TYCO ELECTRONICS CORPORATION. ALL RIGHTS RESERVED.

LOC	DIST	REVISIONS					
AD	00	P	LTR	DESCRIPTION	DATE	DWN	APVD
		K1		ECO-06-016522	24AUG06	BSV	JO
		K2		REVISED PER ECO-09-021510	11SEP09	KK	AEG

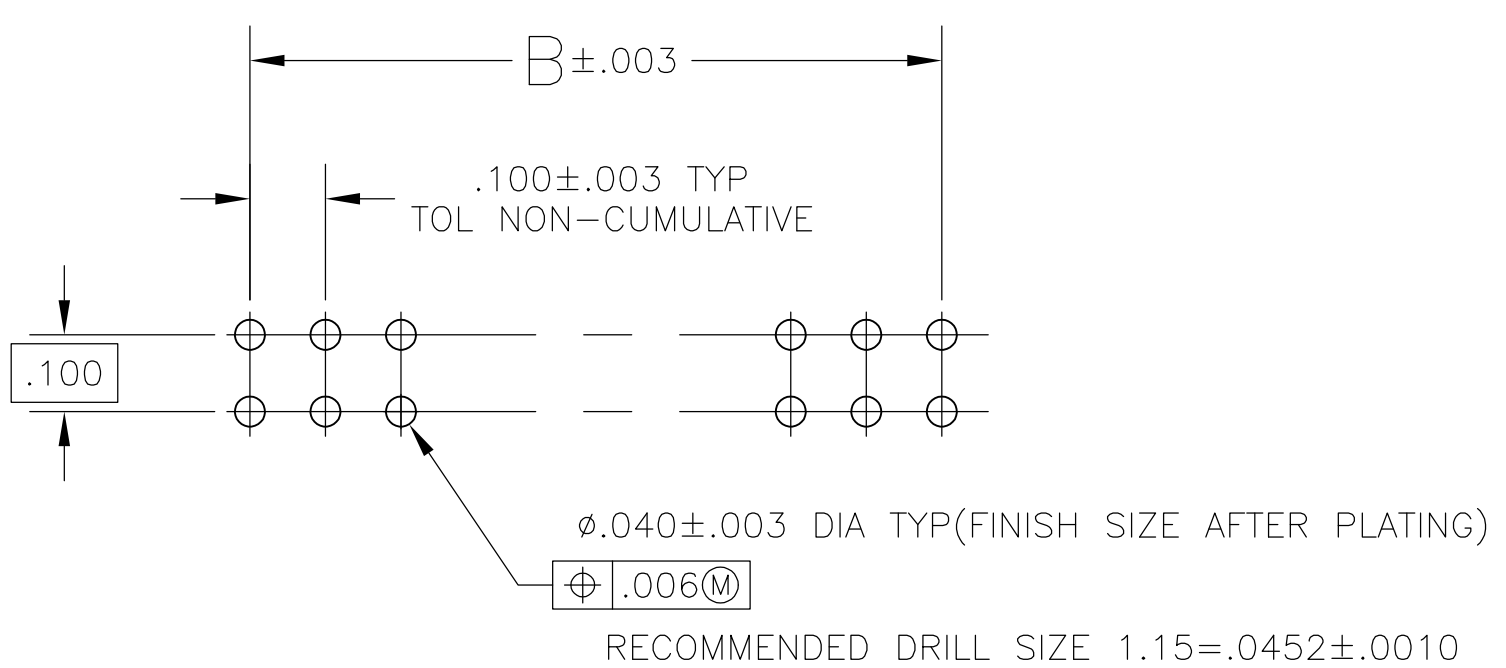


SECTION L-L

- 1 FINISH OVER INDICATED AREA: .000030 GOLD OVER .000050 NICKEL.
- 2 FINISH OVER INDICATED AREA: .000100-.000200 TIN OVER .000050 NICKEL.
- 3 RECESSED DATE CODE.
- 4 FINISH OVER INDICATED AREA: .000100-.000200 MATTE TIN OVER .000050 NICKEL
- 5 ROHS 2002/95/EC COMPLIANT
- 6 OBSOLETE PARTS: OBSOLETE CIS STREAMLINING PER D.RENAUD/D.SINISI



SECTION M-M



RECOMMENDED HOLE LAYOUT

	1 4	1.470	1.580	1.500	1.100	11	24	5	5-533023-8
	1 4	2.770	2.880	2.800	2.400	24	50	5	5-533023-3
OBSOLETE	1 2	7.270	7.380	7.300	6.900	69	140		533023-9
	1 2	1.470	1.580	1.500	1.100	11	24		533023-8
OBSOLETE	1 2	.870	.980	.900	.500	5	12		533023-7
OBSOLETE	1 2	2.270	2.380	2.300	1.900	19	40		533023-6
OBSOLETE									
OBSOLETE	1 2	5.270	5.380	5.300	4.900	49	100		533023-4
OBSOLETE	1 2	2.770	2.880	2.800	2.400	24	50		533023-3
OBSOLETE	1 2	5.270	6.380	6.300	5.900	59	120		533023-2
OBSOLETE	1 2	4.270	4.380	4.300	3.900	39	80		533023-1

THIS DRAWING IS A CONTROLLED DOCUMENT. DWN 08MAR85
CHK 15MAR85
DOUGLAS SARVER
APVD 15MAR85

Tyco Electronics
Tyco Electronics Corporation
Harrisburg, Pa 17105-3608

NAME
PRODUCT SPEC
APPLICATION SPEC
WEIGHT

SIZE A2 CAGE CODE 00779 DRAWING NO C=533023 RESTRICTED TO
SCALE 4:1 SHEET 1 OF 1 REV K2

MATERIAL: GLASS FILLED NYLON, COLOR, BLACK
POST: COPPER ALLOY
FINISH 1 2 4

0 PLC ± -
1 PLC ± -
2 PLC ± -
3 PLC ± .005
4 PLC ± -
ANGLES ± -

HEADERS ASSY, SHROUDED, MOD II, .100 X .100 GRID, STD POSTS (WITH POLARIZING LUGS)

CUSTOMER DRAWING

Mouser Electronics

Authorized Distributor

Click to View Pricing, Inventory, Delivery & Lifecycle Information:

[TE Connectivity:](#)

[5-533023-8](#)