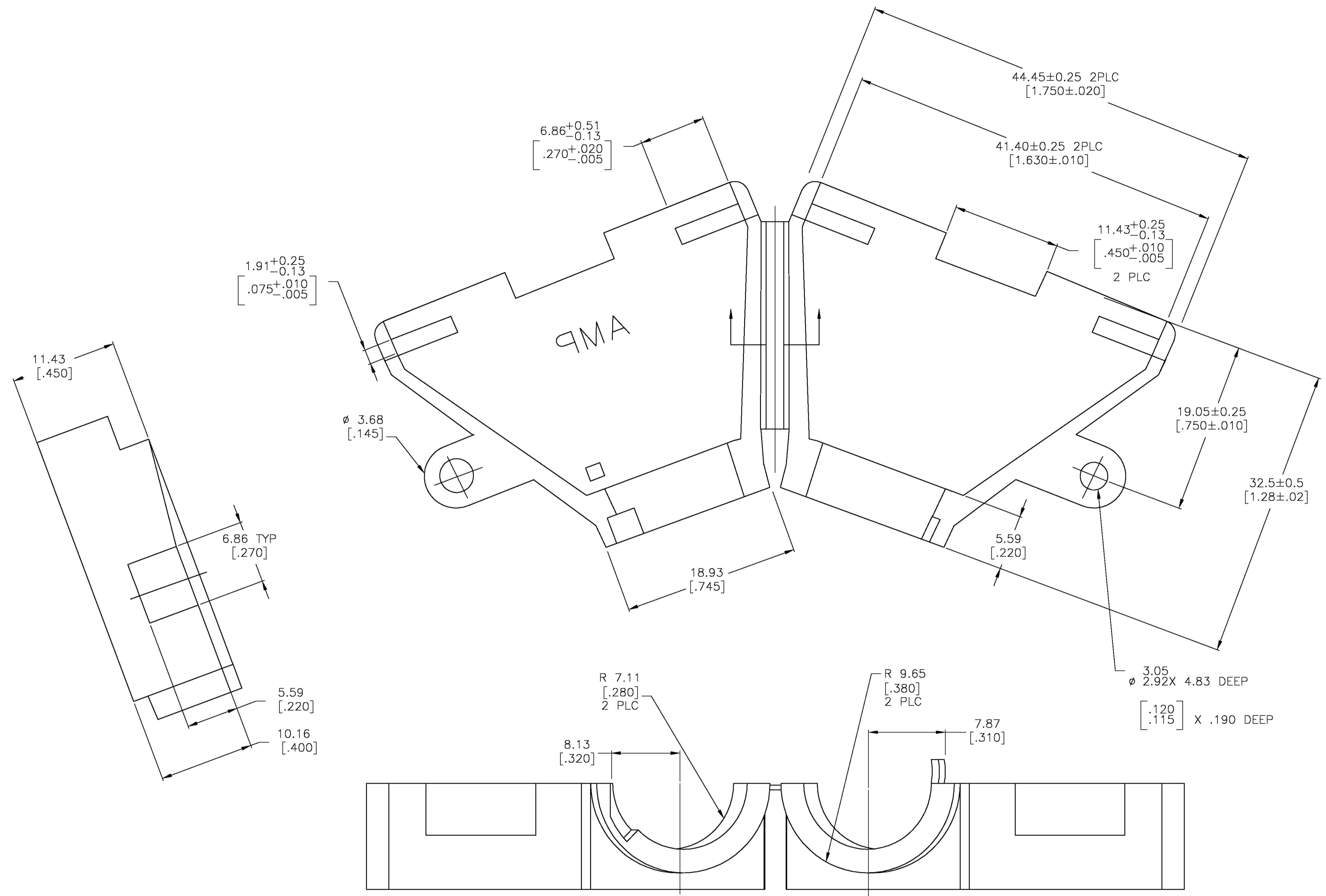
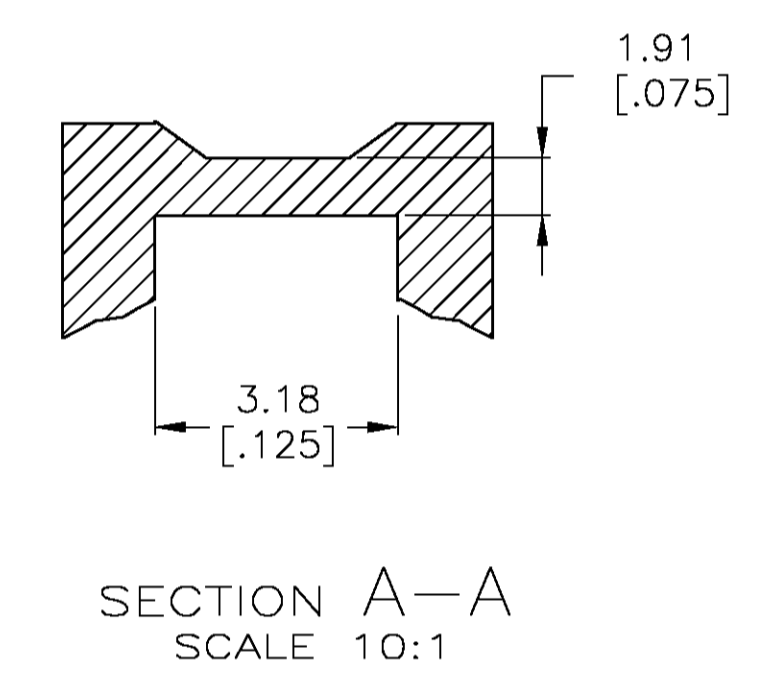


LOC		DIST		REVISIONS			
P	LR	DESCRIPTION	DATE	DN	APVD		
P		REVISED PER EC 0G3B 0770 04	22-JUN-05	HMR	RKW		



- REQUIRES A #6 PAN HEAD TYPE "B" SELF TAPPING PAN HEAD SCREW, 9.53 [.375] LONG.
- DIMENSIONS IN BRACKETS ARE IN INCHES.



METRIC

BLACK	1-480594-9
BRICK RED	480594-1
COLOR	PART NO

THIS DRAWING IS A CONTROLLED DOCUMENT.		DIN	9-21-93	Tyco Electronics Corporation Harrisburg, Pa 17105-3608
DIMENSIONS: mm [INCHES]		K. SALMON	9-21-93	
TOLERANCES UNLESS OTHERWISE SPECIFIED:		CHK R. SWING	7-20-94	NAME: STRAIN RELIEF, HINGED, 36 POSITION
0 PLC ± -	1 PLC ± -	APVD W. LONG	PRODUCT SPEC	
2 PLC ± 0.13 [.005]	3 PLC ± -	APPLICATION SPEC		
4 PLC ± -	ANGLES ± -	WEIGHT		
MATERIAL	FINISH	CUSTOMER DRAWING	SCALE 1:1	RESTRICTED TO
			A1 00779 C=480594	
			SHEET 1 OF 1	REV P

Mouser Electronics

Authorized Distributor

Click to View Pricing, Inventory, Delivery & Lifecycle Information:

[TE Connectivity:](#)

[1-480594-9](#)