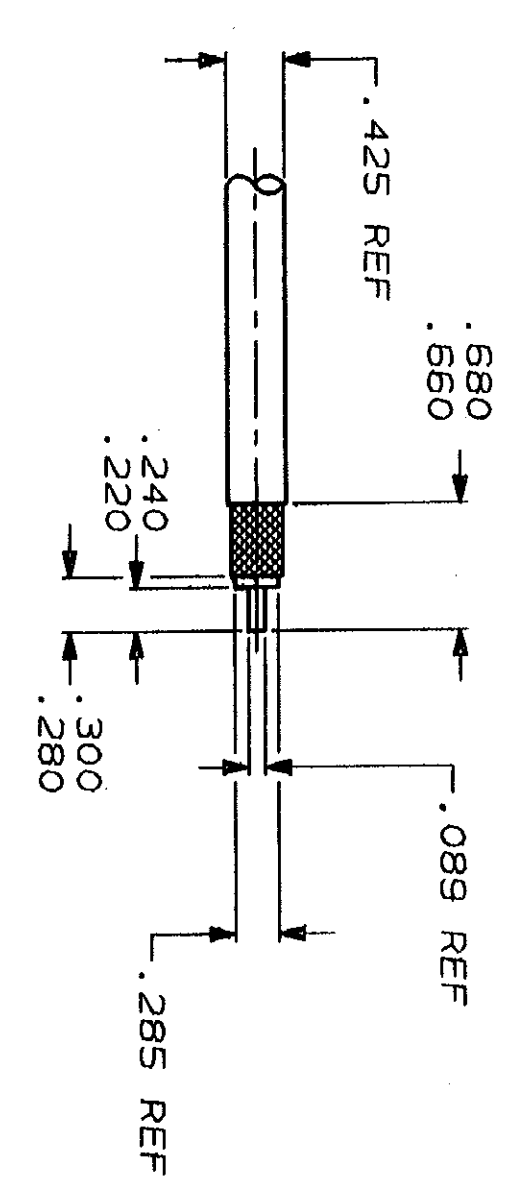


1. FOR USE WITH RG-214/U
2. BRAID CRIMP: USE MILITARY TOOL M22520/5-01, WITH DIE SET M22520/5-25, CAVITY A OR EQUIVALENT
3. CENTER CONTACT CRIMP: USE MILITARY TOOL M22520/5-01, WITH DIE SET M22520/5-25, CAVITY B OR EQUIVALENT

RECOMMENDED STRIP LENGTH  
 SCALE 1:1



LOC	DIST	REV	DATE	APPD
DF	X0	0	RELEASED NPR 90-0064	PY

QTY	PART NO	DESCRIPTION	ITEM NO
1	447091-3	CONTACT, FEMALE	4
1	228143-4	HEAT SHRINK TUBING	3
1	447101-1	SOCKET ASSEMBLY	2
1	446556-9	FERRULE	1

DR P. YEAGER 2-13-90  
 CHK J. CABARLO 2-26-90  
 APPD R. HOSLER 2-28-90  
 PRODUCT SPEC

**AMP** | AMP INCORPORATED  
 Morrisburg, Pa. 17105

COAXIAL CONTACT,  
 SOCKET, SIZE 1

FINISH	APPLICATION SPEC	SIZE	FSCM NO	DRAWING NO
-	-	C	00779	447087-1
WEIGHT	SCALE	4:1	SHEET	1 OF 1

CUSTOMER DRAWING

# Mouser Electronics

Authorized Distributor

Click to View Pricing, Inventory, Delivery & Lifecycle Information:

[TE Connectivity:](#)

[447087-3](#)