

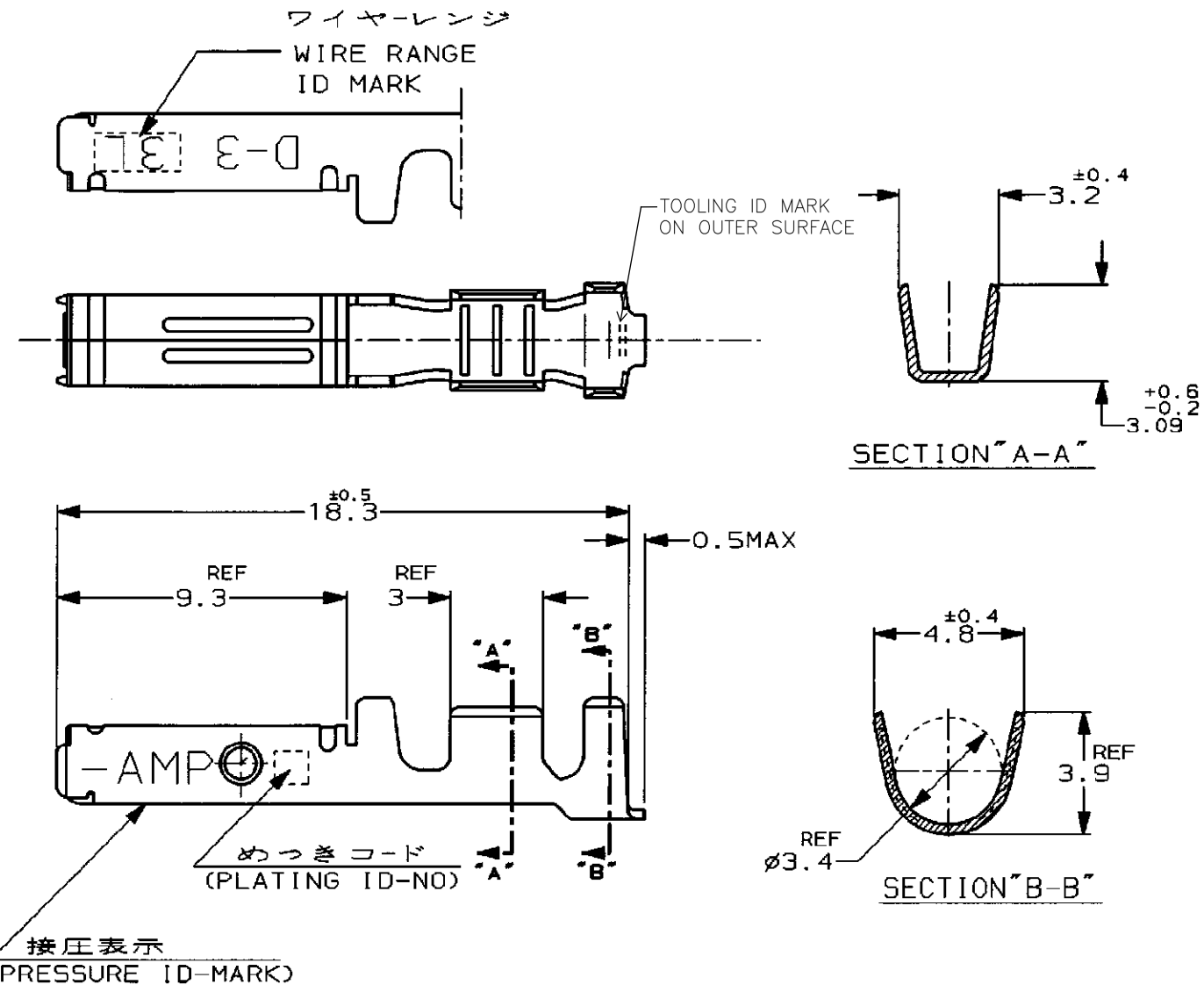
NUMBER 353717



METRIC

U.655-111>U.DWG>S.089-25173
単位: 概 DIMENSIONS IN MM. DO NOT SCALE PRINT

PRINT DIST



注記

- △ 標準接圧型コンタクト：一般向け及び多極用
- △ 高接圧型コンタクト：高電流用及び強振動用
- △ 金めっきは接触部のみとする

NOTES

- △ CONTACT TYPE; NORMAL PRESSURE TYPE (FOR GENERAL)
- △ CONTACT TYPE; HIGH PRESSURE TYPE (FOR HIGH CURRENT OR ANTI-VIBRATION)
- △ GOLD-PL. CONTACT AREA ONLY

| | | | | | |
|-------------|----------------|--------------------|----------------------------------|------------|----------|
| | | | | | |
| | | | | | |
| | | | | | |
| | | | | | |
| | | | | | |
| | | | | | |
| | | | | | |
| | | | | | |
| | | | | | |
| △ | H | 5 | 光沢錫めっき (BRIGHT TIN-PL.) | 1- | -5 |
| | | 3 | 0.76μm最小金めっき (0.76μmMIN. Au-PL.) | 1- | -3 |
| | | 2 | 0.38μm最小金めっき (0.38μmMIN. Au-PL.) | 1- | -2 |
| | | 3 | 0.76μm最小金めっき (0.76μmMIN. Au-PL.) | | -3 |
| | | 2 | 0.38μm最小金めっき (0.38μmMIN. Au-PL.) | | 353717-2 |
| 備考 (REMARK) | 接圧表示 (ID-MARK) | めっきコード (PL. ID NO) | 仕上 (FINISH) | △ 型番 (P/N) | |

| | | | | |
|-----|---------------------------|-----|-----|------------|
| C | REVISED PER ECR-15-011723 | Y.O | E.T | 08AUG 2015 |
| B1 | REVISED PER ECO-11-005294 | RK | HMR | 05APR11 |
| LTR | 変更 (REVISION RECORD) | DR | CHK | DATE |

| | | | | | |
|----------------------|---------------------------|------------------------|---------------------------|--------------------------|---|
| 適合電線断面積 (WIRE RANGE) | AWG 16-14 | 被覆外径 (INSULATION DIA.) | 3.1-3.8 mmφ | 名称 (NAME) | (DYNAMIC SERIES REC. CONTACT) "3L" SIZE LOOSE PIECE ダイナミックシリーズリセパタクルコンタクト |
| 材料 (MATERIAL) | (COPPER ALLOY) 銅合金 | 仕上 (FINISH) | (SEE TABLE) 表参照 | 一般公差 (GENERAL TOLERANCE) | SIZE LOC 番号 (No.) |
| DR. | 7/FEB/'97 K. IKEDA | DE. | 7/FEB/'97 K. IKEDA | 10以下: ±0.2 | B J 353717 |
| CHK. | 12/FEB/'97 Y. ISHIKAWA | APP. | 12/FEB/'97 Y. ISHIKAWA | 10を超え 30以下: ±0.25 | 尺度 (SCALE) REV. SHEET |
| | | | | 30を超え 100以下: ±0.3 | 5-1 C 1 OF 1 |
| | | | | 角 度: ±3° | |

Mouser Electronics

Authorized Distributor

Click to View Pricing, Inventory, Delivery & Lifecycle Information:

[TE Connectivity:](#)

[1-353717-2](#)