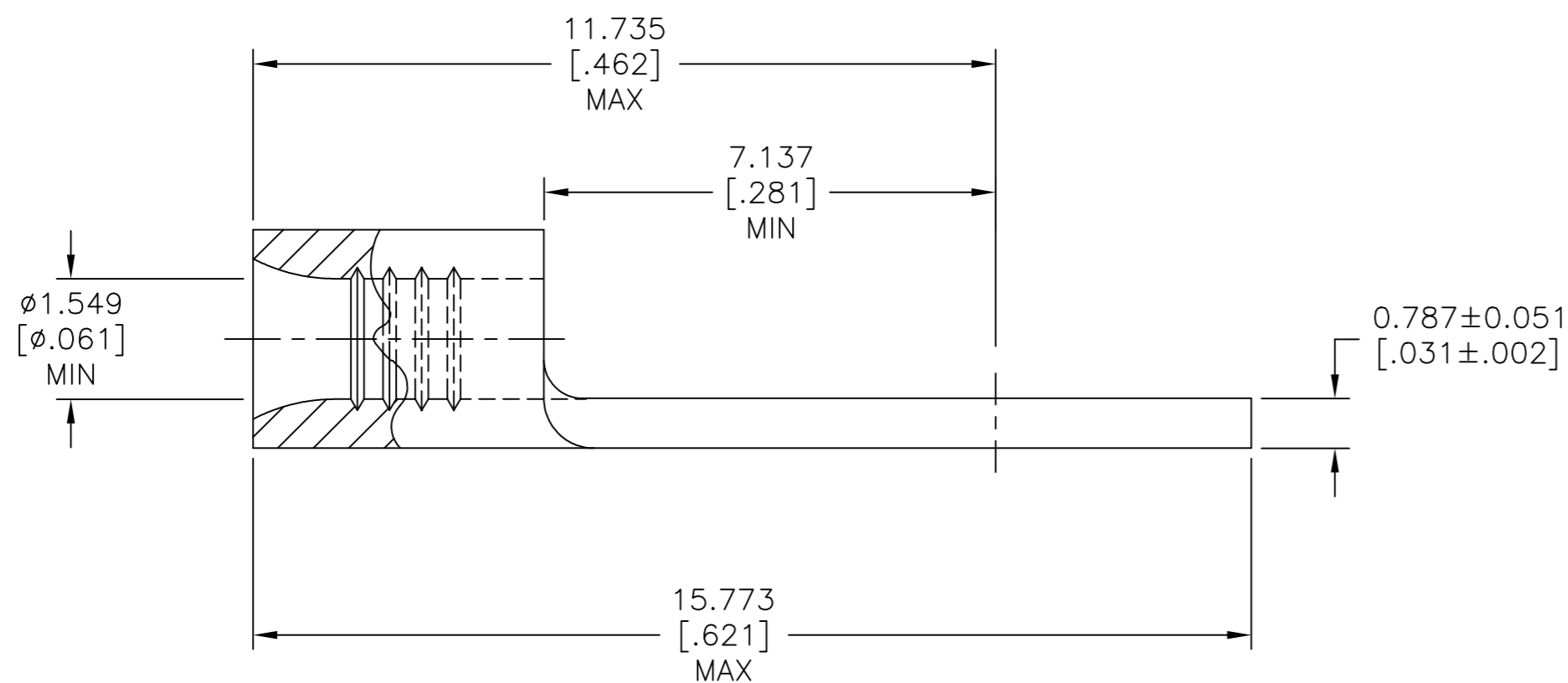
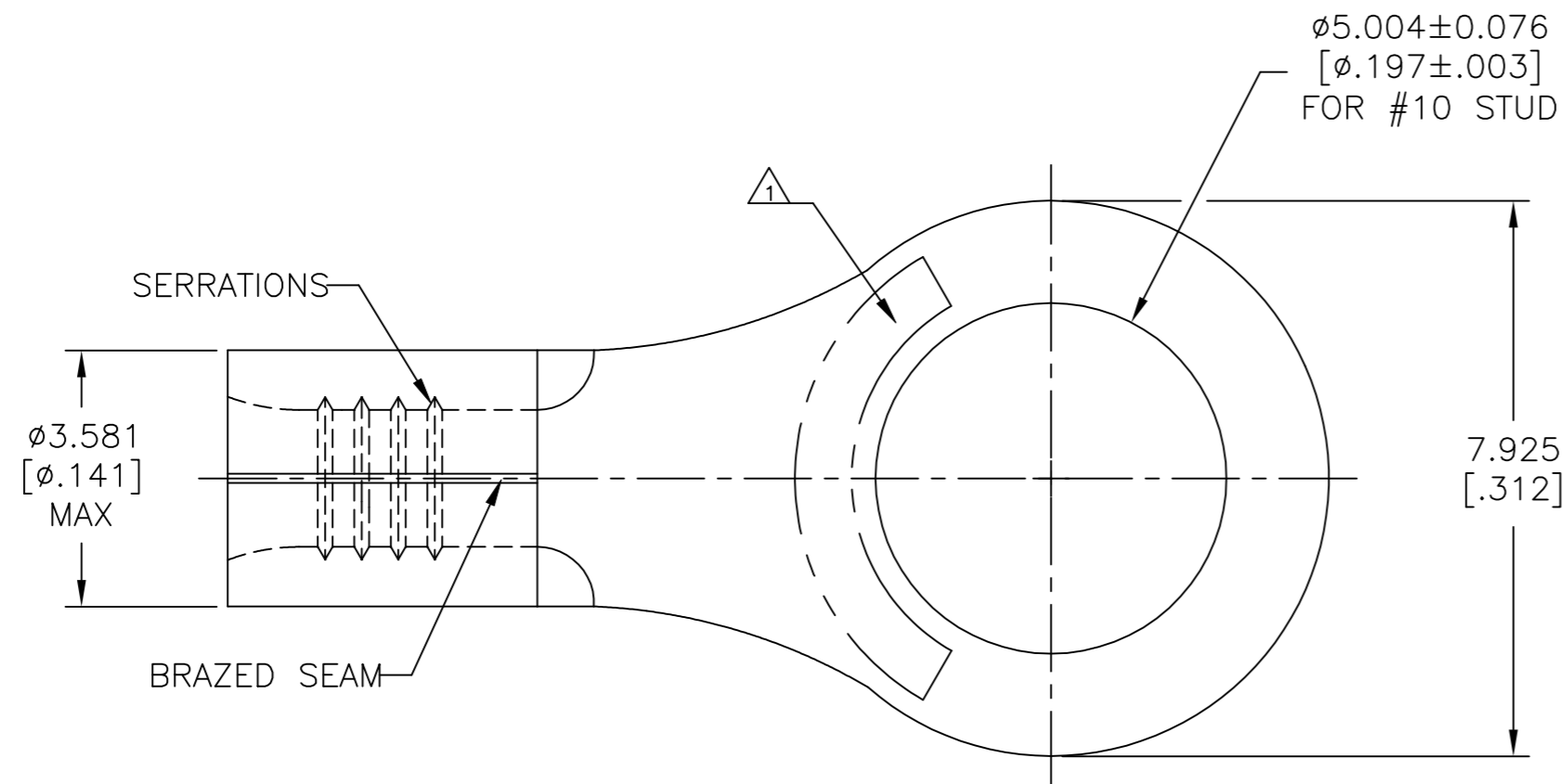


THIS DRAWING IS UNPUBLISHED. RELEASED FOR PUBLICATION
 © COPYRIGHT - TE Connectivity Ltd. ALL RIGHTS RESERVED.

REVISIONS					
P	LTR	DESCRIPTION	DATE	DWN	APVD
E		REV PER 063A-0123-02	07MAR02	-	JR/MS
E1		REV PER ECO-17-008808	29JAN2018	RS	DR



AMP WIRE RANGE	E13288 Listed
22-16 AWG SOLID OR STRANDED	22-16 AWG SOLID OR STRANDED
LR7189 Certified	MILITARY P/N AND CLASS
22-16 AWG SOLID OR STRANDED	M7928/7-4 CLASS 2 P/N 34112 & 2-34112-2 ONLY

- △1 STAMP AMP 22-18* APPROX AS SHOWN
22-16 TERMINALS ARE STAMPED 22-18 IN
ACCORDANCE WITH MILITARY SPECIFICATION
SAE AS7928 COMMERCIAL WIRE RANGE IS 22-16
- 2 NOTE DELETED
- △3 0.00254[.000100] MIN TIN PER ASTM B-545
- △4 CLEANED, UNPLATED
- △5 UL486 A-B OR SAE AS7928

AMP INCORPORATED CUSTOMER SERVICE SYSTEMS

FOR ADDITIONAL
PRODUCT INFORMATION OR
COPIES OF DRAWINGS
AND TECHNICAL DOCUMENTS

PRODUCT INFORMATION CENTER
1-800-522-6752

MAX RECOMMENDED OPERATING
TEMPERATURE:
170°C [338°F] MAX

FOR APPLICATION
TOOLING INFORMATION

TOOLING ASSISTANCE CENTER
1-800-722-1111

VOLTAGE RATING:
NOT APPLICABLE

FOR ORDER ENTRY

1-800-526-5142

WIRE CROSS SECTIONAL AREA RANGE,
0.26-1.65mm² [509-3,260] CIR MILS
SOLID OR STRANDED

△4	1000	LOOSE PIECE	34112-3
△3	100	LOOSE PIECE, BOX	8-34112-1
△3	5000	ON TAPE	2-34112-2
△3	1000	LOOSE PIECE	34112
FINISH	QTY.	PACKAGE TYPE	PART NO.

THIS DRAWING IS A CONTROLLED DOCUMENT.		DWN TA BRINKMAN 3-10-93	TE Connectivity Ltd.			
DIMENSIONS: mm [INCHES]		CHK DA PATTERSON 3-10-93				
TOLERANCES UNLESS OTHERWISE SPECIFIED:		APVD JL MECKLEY 3-10-93	NAME TERMINAL, RING TONGUE, SOLISTRAND, TM 22-16 AWG			
0 PLC ± - 1 PLC ± - 2 PLC ± - 3 PLC ± 0.127[.005] 4 PLC ± - ANGLES ± -		PRODUCT SPEC △5	SIZE A2	CAGE CODE 00779	DRAWING NO C=34112	RESTRICTED TO -
MATERIAL COPPER PER ASTM B-152 ANNEALED		FINISH SEE NOTES	WEIGHT -	SCALE 10:1	SHEET 1 of 1	REV E1
CUSTOMER DRAWING						

Mouser Electronics

Authorized Distributor

Click to View Pricing, Inventory, Delivery & Lifecycle Information:

[TE Connectivity:](#)

[2-34112-2](#)