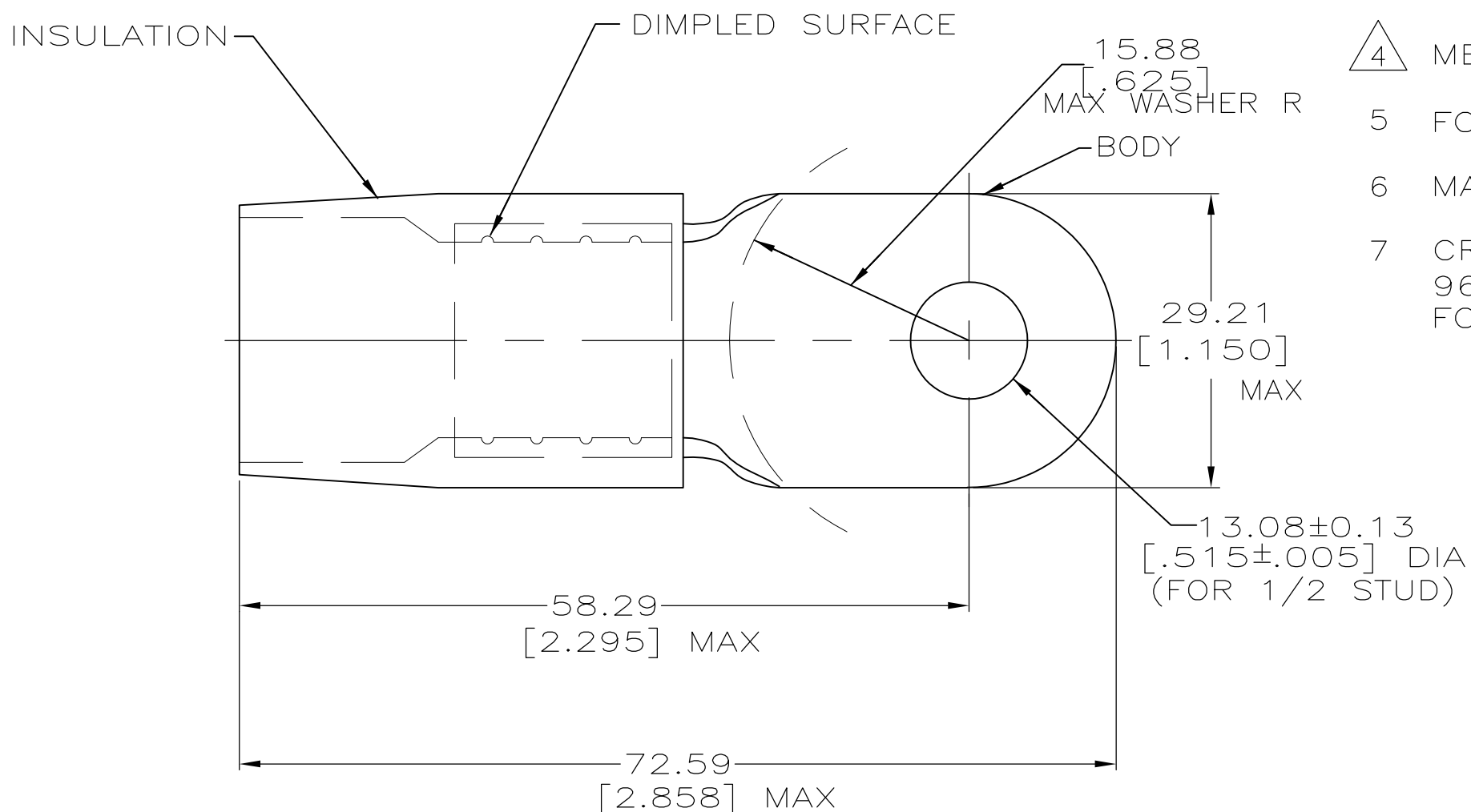


THIS DRAWING IS UNPUBLISHED. RELEASED FOR PUBLICATION
 © COPYRIGHT BY TYCO ELECTRONICS CORPORATION. ALL INTERNATIONAL RIGHTS RESERVED.

LOC	DIST	REVISIONS					
		P	LTR	DESCRIPTION	DATE	DWN	APVD
G	14		L1	REV PER ECR 09-026553	04DEC09	JR	TM

AMP WIRE RANGE
4/0 AWG STRANDED

1. TONGUE MATERIAL THK 2.59 ± 0.08
[.102 ± .003]
- 2 MATERIAL: BODY — COPPER PER ASTM B-152
INSULATION — NYLON
MIL-M-20693, TYPE 1
- 3 FINISH: BODY — TIN PLATE PER ASTM B-545
INSULATION — COLOR BLUE
- 4 MEETS MS25036-141, CLASS 2
- 5 FOR 19.43 [.765] MAX WIRE INS DIA
- 6 MAX OPERATING TEMP IS 105°C
- 7 CROSS SECTIONAL AREA RANGE IS
96.3-117mm² [190,000-231,000] CMA
FOR STRANDED WIRE.



-	LOOSE PC	4 324188
QTY	PACKAGE TYPE	PART NUMBER

THIS DRAWING IS A CONTROLLED DOCUMENT.		DWN SS GOULDEN 6/93	Tyco Electronics Corporation Harrisburg, PA 17105-3608	
DIMENSIONS: MM [INCHES]		CHK R HERSEY 6/93	NAME TERMINAL, RING TONGUE, TERMINYL WIRE SIZE: 4/0	
TOLERANCES UNLESS OTHERWISE SPECIFIED:		APVD JL MECKLEY 6/93	PRODUCT SPEC	
0 PLC ± -		APPLICATION SPEC		
1 PLC ± -		SIZE		
2 PLC ± 0.20 [.008]		CAGE CODE		
3 PLC ± -		DRAWING NO		
4 PLC ± -		RESTRICTED TO		
ANGLES ± -		A3 00779 C-324188		
MATERIAL		WEIGHT		
FINISH		CUSTOMER DRAWING		
- 2		SCALE NTS		
- 3		SHEET 1 OF 1		
		REV L1		

Mouser Electronics

Authorized Distributor

Click to View Pricing, Inventory, Delivery & Lifecycle Information:

[TE Connectivity:](#)

[324188](#)