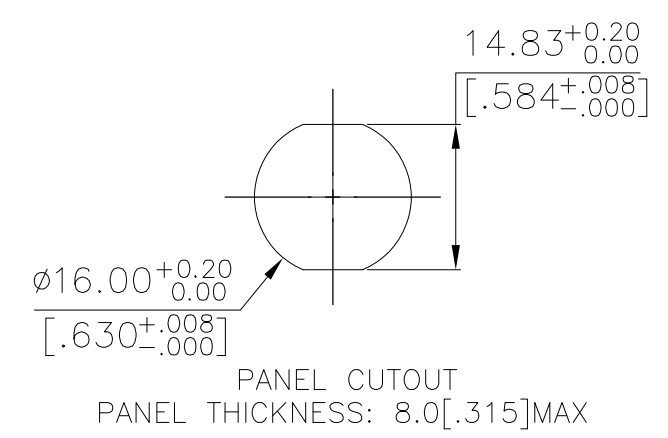
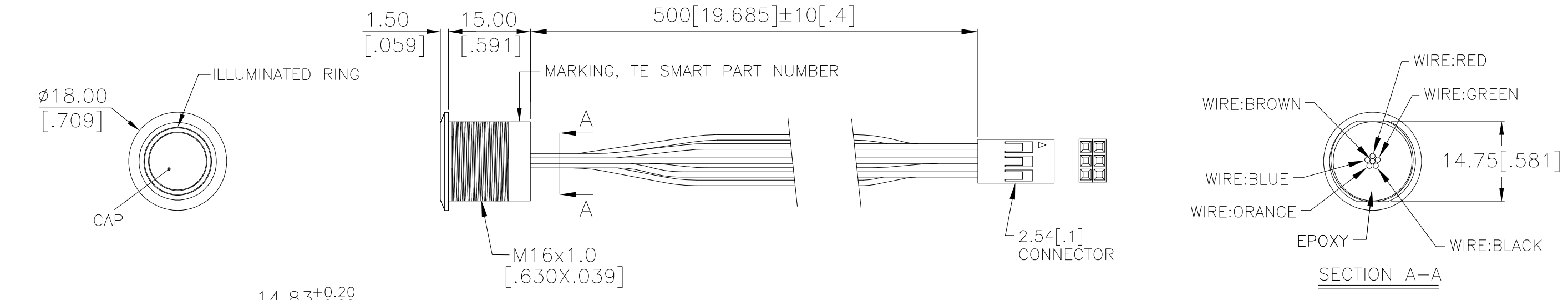
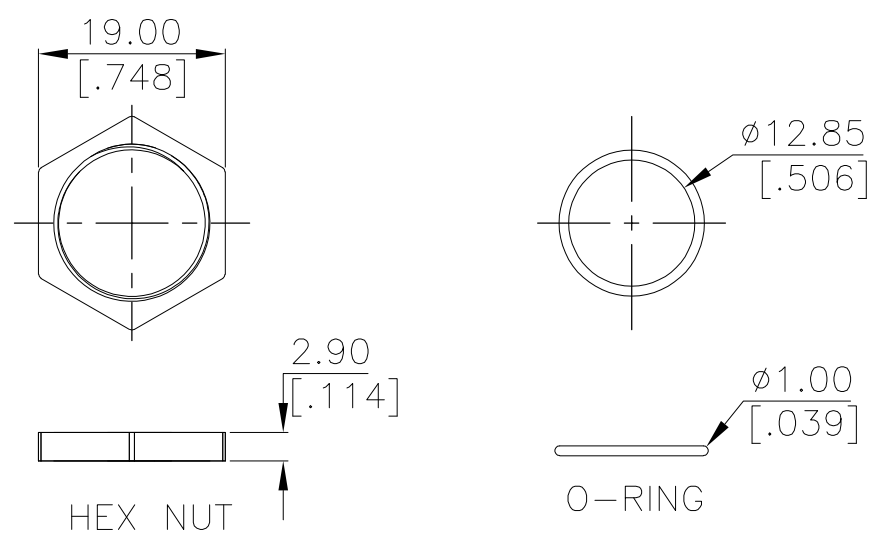
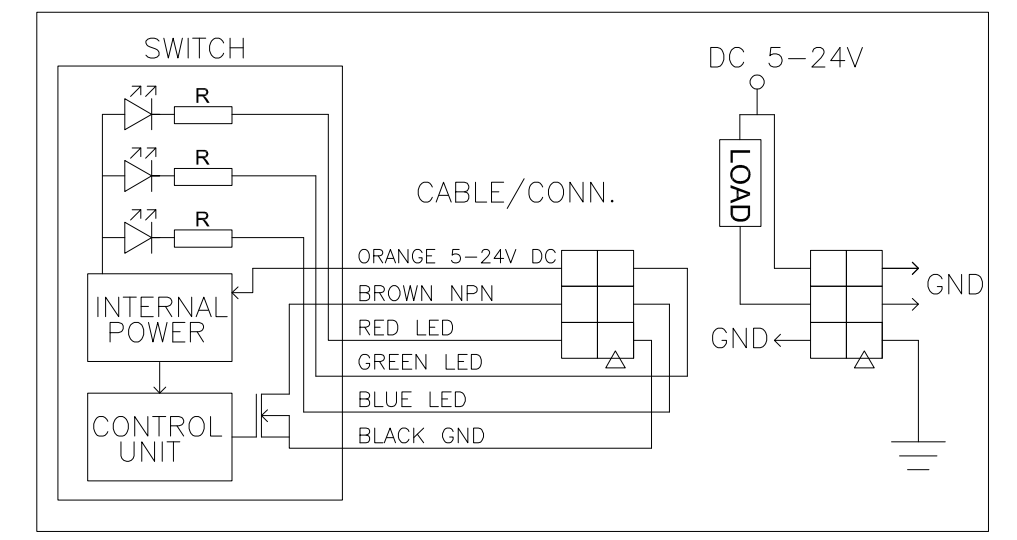


THIS DRAWING IS UNPUBLISHED. RELEASED FOR PUBLICATION
 © COPYRIGHT - TE Connectivity Ltd. ALL RIGHTS RESERVED.

P	LTR	DESCRIPTION	DATE	DWN	APVD
	3	DRAWING UPDATES	19DEC2018	RSM	AS



INDICATOR			
SWITCH	LED		
	RED	GREEN	BLUE
OFF	CUSTOMER DEFINED		
ON	CUSTOMER DEFINED		



APPLICABLE FOR TE P/N:
2342832-1
2342832-3
2342832-5
2342832-7
2342832-8
2342832-9

PRELIMINARY

THIS DRAWING IS A CONTROLLED DOCUMENT.		DWN GANESH C M 29SEP2018	TE Connectivity Ltd.				
DIMENSIONS: mm [INCHES]		CHK ALEXANDER SHARPE 29SEP2018					
TOLERANCES UNLESS OTHERWISE SPECIFIED:		APVD ALEXANDER SHARPE 29SEP2018	NAME				
0 PLC ± - 1 PLC ± 0.4 [.016] 2 PLC ± 0.25 [.010] 3 PLC ± - 4 PLC ± - ANGLES ± -		PRODUCT SPEC	SWITCH,AV,CAPACITIVE,16mm,FL BTN, ILLUM RING,LED,LEADED W/ 2x3 REC				
MATERIAL		FINISH	SIZE A3	CAGE CODE 00779	DRAWING NO C-2342832	RESTRICTED TO	
-		-	CUSTOMER DRAWING		SCALE NTS	SHEET 1 OF 3	REV 3

THIS DRAWING IS UNPUBLISHED.

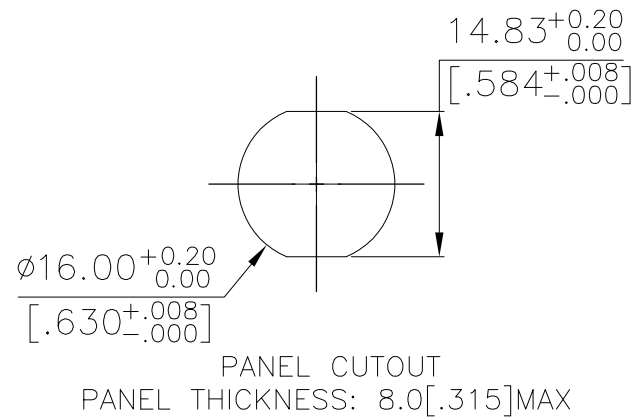
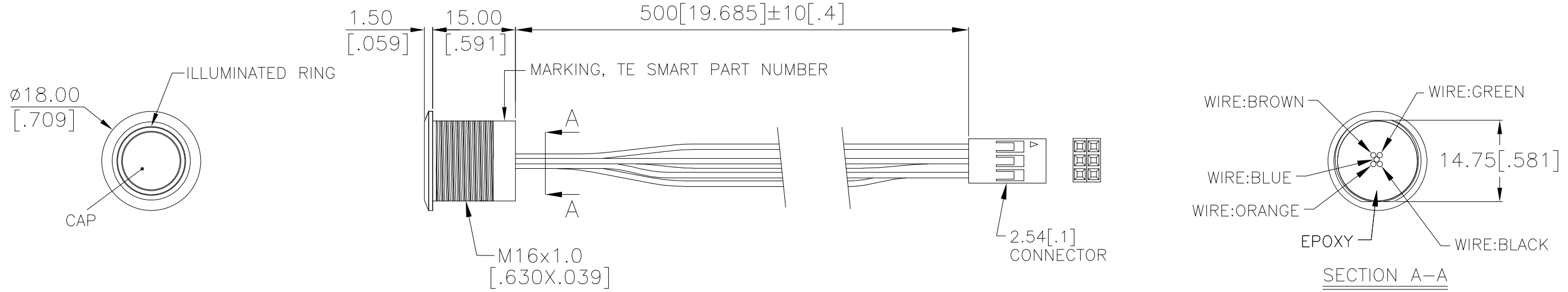
RELEASED FOR PUBLICATION

REVISIONS

© COPYRIGHT - TE Connectivity Ltd.

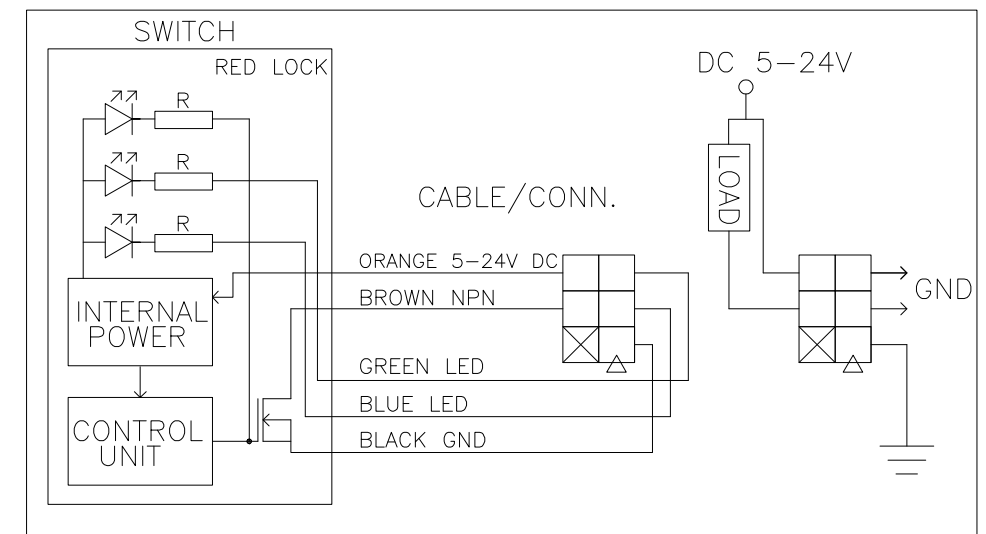
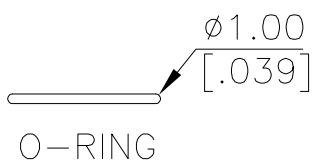
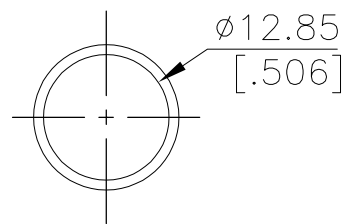
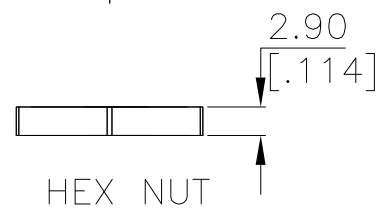
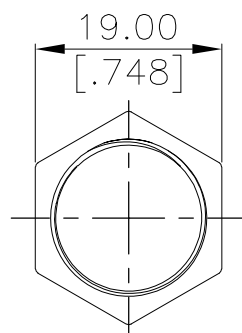
ALL RIGHTS RESERVED.

P	LTR	DESCRIPTION	DATE	DWN	APVD
-	-	SEE SHEET 1	-	-	-




INDICATOR			
SWITCH	LED		
	RED	GREEN	BLUE
OFF	ON	CUSTOMER DEFINED	
ON	OFF		

APPLICABLE FOR TE P/N:
2342832-2
2342832-4
2342832-6



APPLICATION DIAGRAM

THIS DRAWING IS A CONTROLLED DOCUMENT.		DWN 29SEP2018 GANESH C M	 TE Connectivity Ltd.														
DIMENSIONS: mm [INCHES]		CHK 29SEP2018 ALEXANDER SHARPE															
TOLERANCES UNLESS OTHERWISE SPECIFIED:		APVD 29SEP2018 ALEXANDER SHARPE	NAME SWITCH,AV,CAPACITIVE,16mm,FL BTN, ILLUM RING,LED,LEADED W/ 2x3 REC														
<table border="1"> <tr><td>0 PLC</td><td>± -</td></tr> <tr><td>1 PLC</td><td>± 0.4 [.016]</td></tr> <tr><td>2 PLC</td><td>± 0.25 [.010]</td></tr> <tr><td>3 PLC</td><td>± -</td></tr> <tr><td>4 PLC</td><td>± -</td></tr> <tr><td>ANGLES</td><td>± -</td></tr> </table>		0 PLC	± -	1 PLC	± 0.4 [.016]	2 PLC	± 0.25 [.010]	3 PLC	± -	4 PLC	± -	ANGLES	± -	PRODUCT SPEC	SIZE A3		
0 PLC	± -																
1 PLC	± 0.4 [.016]																
2 PLC	± 0.25 [.010]																
3 PLC	± -																
4 PLC	± -																
ANGLES	± -																
MATERIAL		APPLICATION SPEC	CAGE CODE 00779	DRAWING NO C=2342832	RESTRICTED TO												
FINISH		WEIGHT	SCALE NTS														
		CUSTOMER DRAWING	SHEET 2 OF 3		REV 3												

PRELIMINARY


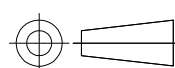
THIS DRAWING IS UNPUBLISHED. RELEASED FOR PUBLICATION
 © COPYRIGHT - TE Connectivity Ltd. ALL RIGHTS RESERVED.

REVISIONS					
P	LTR	DESCRIPTION	DATE	DWN	APVD
-	-	SEE SHEET 1	-	-	-

NOTES:

- SPECIFICATIONS:
 - OPERATING LIFE: 50 MILLION CYCLES MIN.
 - ACTUATION FORCE: TOUCH, ZERO FORCE
 - RATING: 5-24 VDC@1A MAX.
 - CONTACT RESISTANCE: 1Ω MAX.
 - CURRENT DRAW WITHOUT ILLUMINATION: 2mA MAXIMUM
 - CURRENT DRAW WITH ILLUMINATION: 10mA MAXIMUM
 - OUTPUT MODE: NPN TRANSISTOR
 - OPERATING TEMPERATURE: -20° TO 65°C [-4° TO 149°F]
 - STORAGE TEMPERATURE: -40° TO 85°C [-40° TO 185°F]
 - INGRESS PROTECTION: IP68, PANEL SIDE
 - MOUNTING TORQUE: 2.5Nm MAXIMUM
- MATERIAL:
 - SEALING: SILICONE, EPOXY
 - O-RING: SILICONE
 - HEX NUT: NICKEL PLATED BRASS
 - WIRE: UL3385, UL10368 OR EQUIVALENT
 - BUSHING: SEE TABLE
 - CAP: SEE TABLE
- PACKAGING: SWITCH ASSEMBLIES ARE INDIVIDUALLY BUNDLED WITH ESD PROTECTION. HARDWARE IS NOT ASSEMBLED TO THE SWITCH.
- COMPLIANCE: THE CURRENT STATEMENT OF COMPLIANCE IS AVAILABLE AT TE.COM.
- HARDWARE IS SHIPPED UNASSEMBLED.

PC; STAINLESS STEEL	STAINLESS STEEL 316	RGB	MOMENTARY	AVC16MS16FE0DT5B04	2342832-9
PC; STAINLESS STEEL	STAINLESS STEEL 304	RGB	MOMENTARY	AVC16MS04FE0DT5B04	2342832-8
PC; ALUMINUM	ALUMINUM	RGB	MOMENTARY	AVC16MAIOFE0DT5B04	2342832-7
PC; STAINLESS STEEL	STAINLESS STEEL 316	RED LOCK	LOCKING	AVC16LS16FE03T5B04	2342832-6
PC; STAINLESS STEEL	STAINLESS STEEL 316	RGB	LOCKING	AVC16LS16FE0DT5B04	2342832-5
PC; STAINLESS STEEL	STAINLESS STEEL 304	RED LOCK	LOCKING	AVC16LS04FE03T5B04	2342832-4
PC; STAINLESS STEEL	STAINLESS STEEL 304	RGB	LOCKING	AVC16LS04FE0DT5B04	2342832-3
PC; ALUMINUM	ALUMINUM	RED LOCK	LOCKING	AVC16LAIOFE03T5B04	2342832-2
PC; ALUMINUM	ALUMINUM	RGB	LOCKING	AVC16LAIOFE0DT5B04	2342832-1
CAP MATERIAL	BUSHING MATERIAL	LED COLOR	CONTACT CONFIGURATION	TE SMART PART NUMBER	PART NUMBER

THIS DRAWING IS A CONTROLLED DOCUMENT.		DWN GANESH C M 29SEP2018	 TE Connectivity Ltd.		
DIMENSIONS: mm [INCHES]		CHK ALEXANDER SHARPE 29SEP2018			
		APVD ALEXANDER SHARPE 29SEP2018	NAME SWITCH,AV,CAPACITIVE,16mm,FL BTN, ILLUM RING,LED,LEADED W/ 2x3 REC		
TOLERANCES UNLESS OTHERWISE SPECIFIED:		PRODUCT SPEC	SIZE		
0 PLC ± -	1 PLC ± 0.4[.016]	APPLICATION SPEC	CAGE CODE	DRAWING NO	RESTRICTED TO
2 PLC ± 0.25[.010]	3 PLC ± -	WEIGHT	A300779	C=2342832	-
4 PLC ± -	ANGLES ± -	CUSTOMER DRAWING	SCALE	SHEET	REV
MATERIAL	FINISH		NTS	3 OF 3	3

PRELIMINARY

Mouser Electronics

Authorized Distributor

Click to View Pricing, Inventory, Delivery & Lifecycle Information:

[TE Connectivity:](#)

[AVC16LS04FE03T5B04](#)