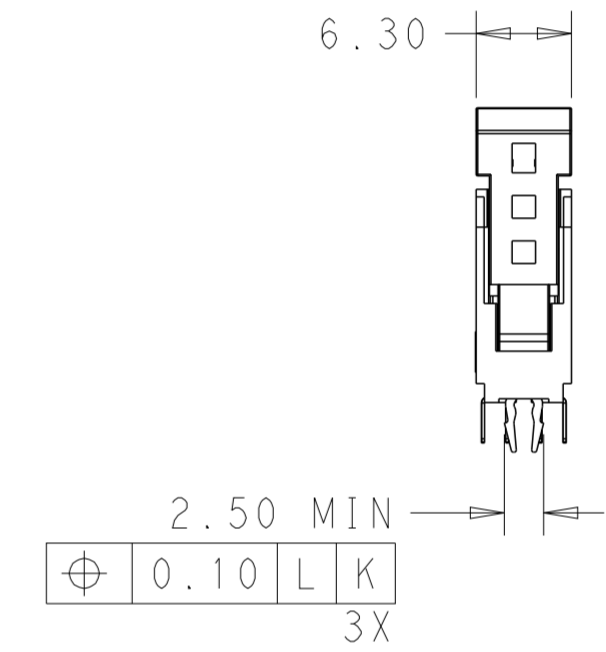
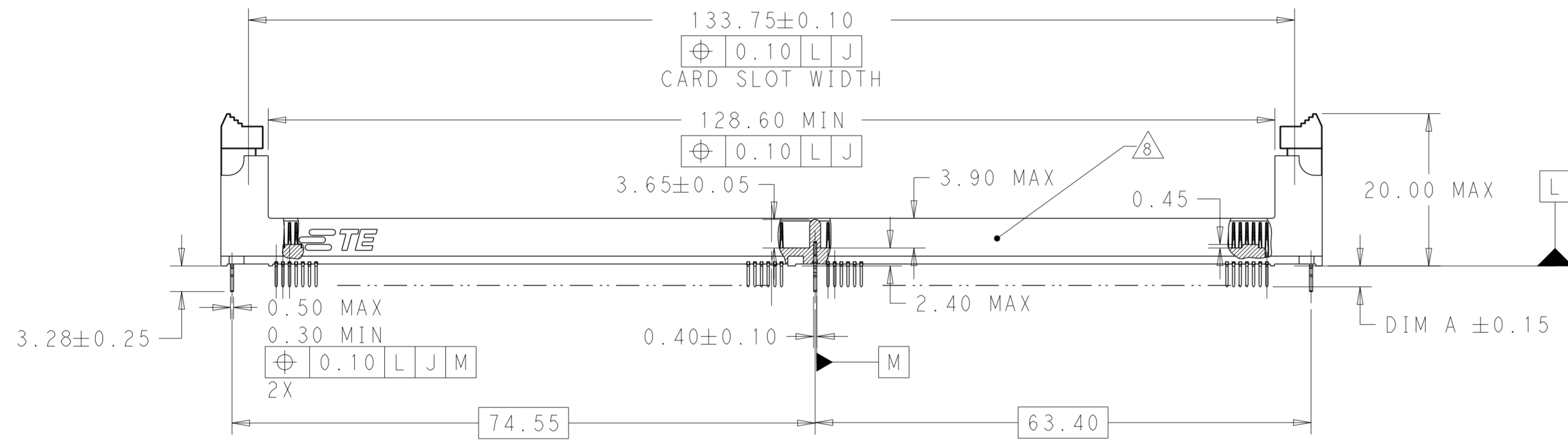
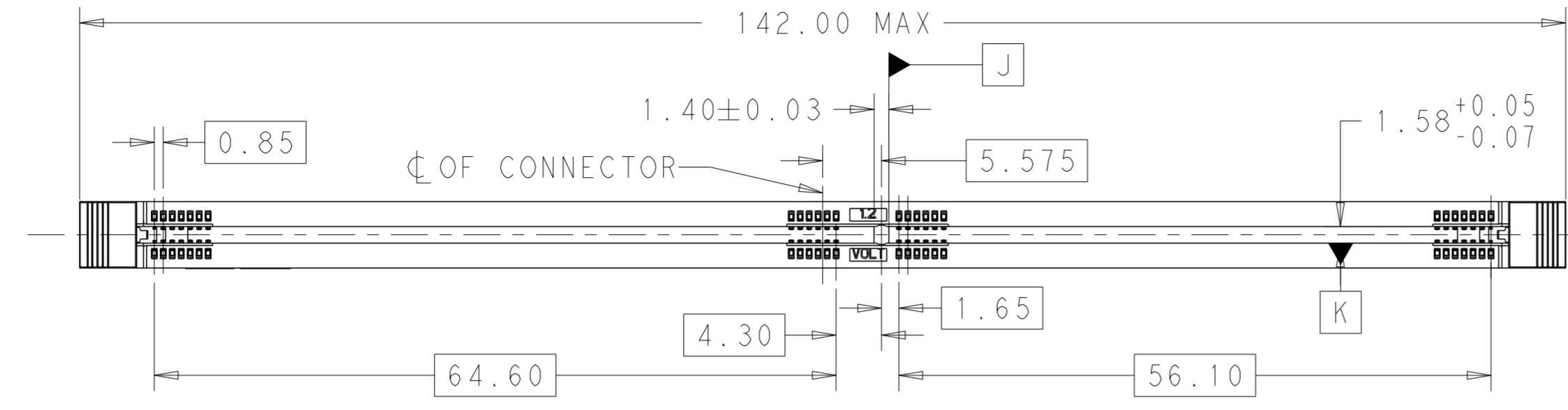


THIS DRAWING IS UNPUBLISHED. RELEASED FOR PUBLICATION 20
 © COPYRIGHT 20 TE CONNECTIVITY ALL RIGHTS RESERVED.

LOC		DIST		REVISIONS			
P	LTR	DESCRIPTION	DATE	DWN	APVD		
	C8	REVISED TO ADD PN	12APR2019	D.Z	S.L		



1 MATERIALS:

HOUSING: HIGH TEMPERATURE NYLON, UL94 V-0
 EXTRACTOR: HIGH TEMPERATURE THERMOPLASTIC, UL94 V-0
 CONTACTS: COPPER ALLOY
 RETENTION BARB: STAINLESS STEEL

2 INTERFACE FINISH:

- (1) 0.00076 MIN THK GOLD OVER 0.00127 MIN THK NICKEL.
- (2) 0.00038 MIN THK GOLD OVER 0.00127 MIN THK NICKEL.
- (3) 0.00050 MIN THK GOLD OVER 0.00228 MIN THK NICKEL.

3 SOLDER TAIL FINISH:

0.00300 MIN THK MATTE TIN OVER 0.00127 MIN THK NICKEL.

4 KEEP OUT ZONE.

5 KEEP OUT AREA RESERVED FOR SOCKET EXTRACTORS, BOTH ENDS.

6 FINISHED HOLE SIZE. 0.15 MAXIMUM ANNULAR RING.

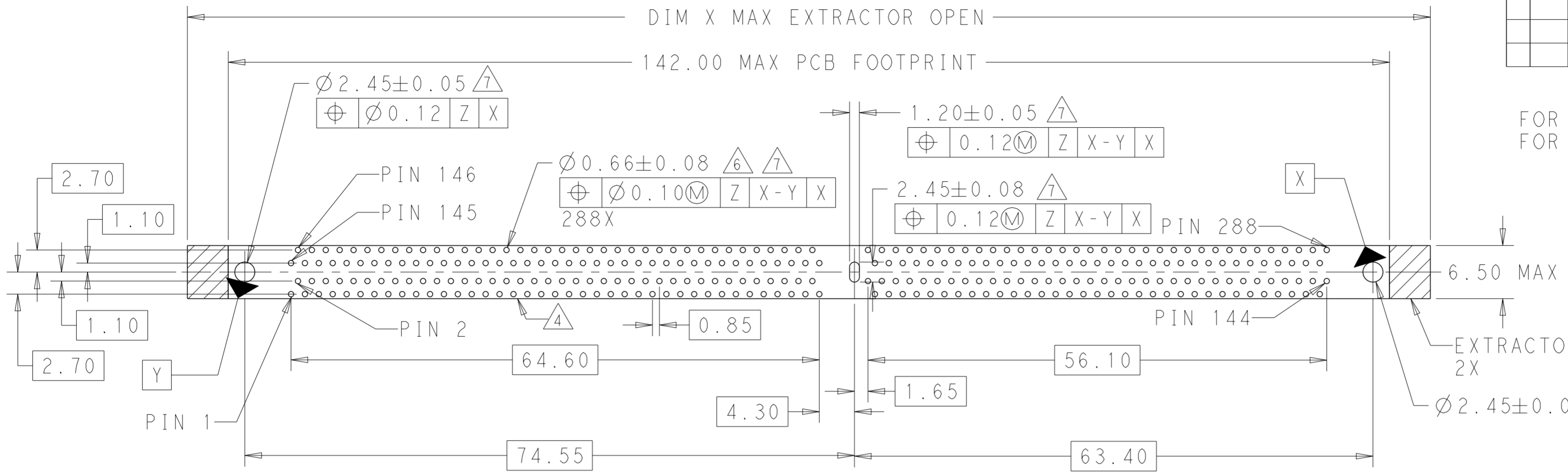
7 DATUM [Z] IS CONNECTOR SIDE SURFACE OF PCB.

8 5 DIGIT DATE CODE (YYWWD) LOCATED AS SHOWN.

THIS DRAWING IS A CONTROLLED DOCUMENT.		DWN RICHARD MA 18MAR2013	TE Connectivity	
DIMENSIONS: mm		CHK SIMON LI 18MAR2013		
TOLERANCES UNLESS OTHERWISE SPECIFIED:		APVD COREI WANG 18MAR2013	NAME SOCKET ASSEMBLY	
0 PLC ±1		PRODUCT SPEC 108-115067	DDR4 DIMM, T/H TYPE	
1 PLC ±0.25		APPLICATION SPEC 501-115076	288 POSITION	
2 PLC ±0.15		WEIGHT -	SIZE A2	CAGE CODE 00779
3 PLC ±0.10		CUSTOMER DRAWING	DRAWING NO C-2199154	RESTRICTED TO -
4 PLC ±		SCALE 1:1	SHEET 1	OF 8
ANGLES ±			REV C8	
FINISH				

THIS DRAWING IS UNPUBLISHED. RELEASED FOR PUBLICATION 20
 © COPYRIGHT 20 TE CONNECTIVITY ALL RIGHTS RESERVED.

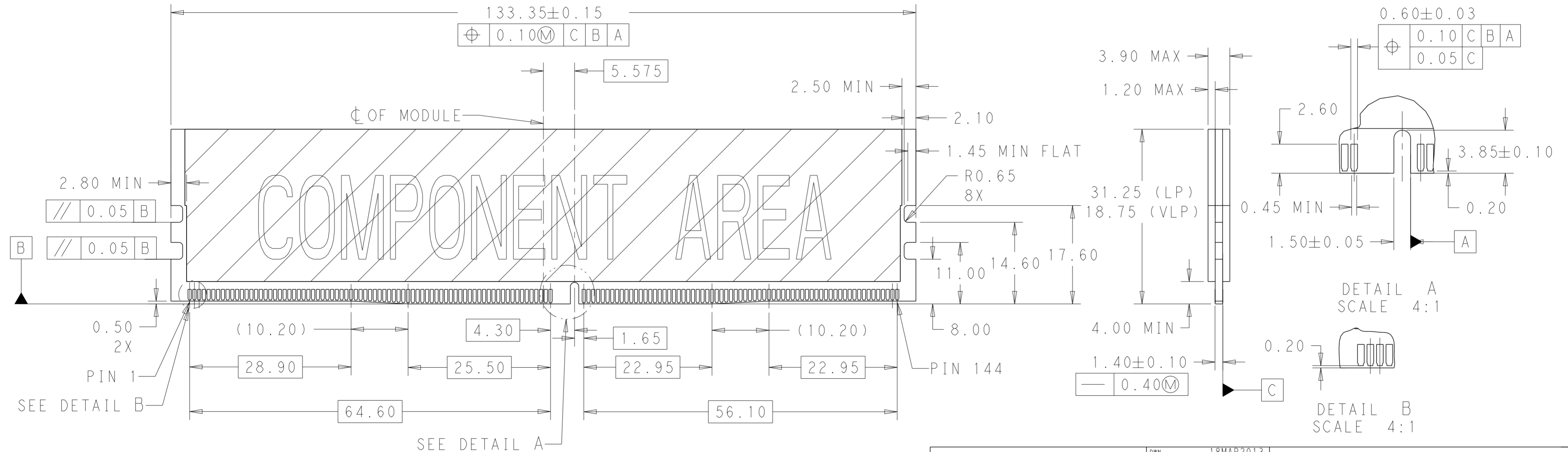
LOC		DIST		REVISIONS			
P	LTR	DESCRIPTION	DATE	DWN	APVD		
-	-	SEE SHEET 1	-	-	-		



FOR SHORT LATCH TYPE, X IS 152MM;
 FOR LONG LATCH TYPE, X IS 162MM.

RECOMMENDED PCB LAYOUT

VIEWED FROM CONNECTOR SIDE

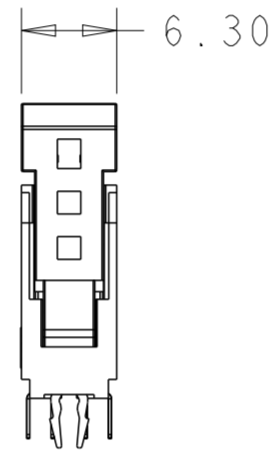
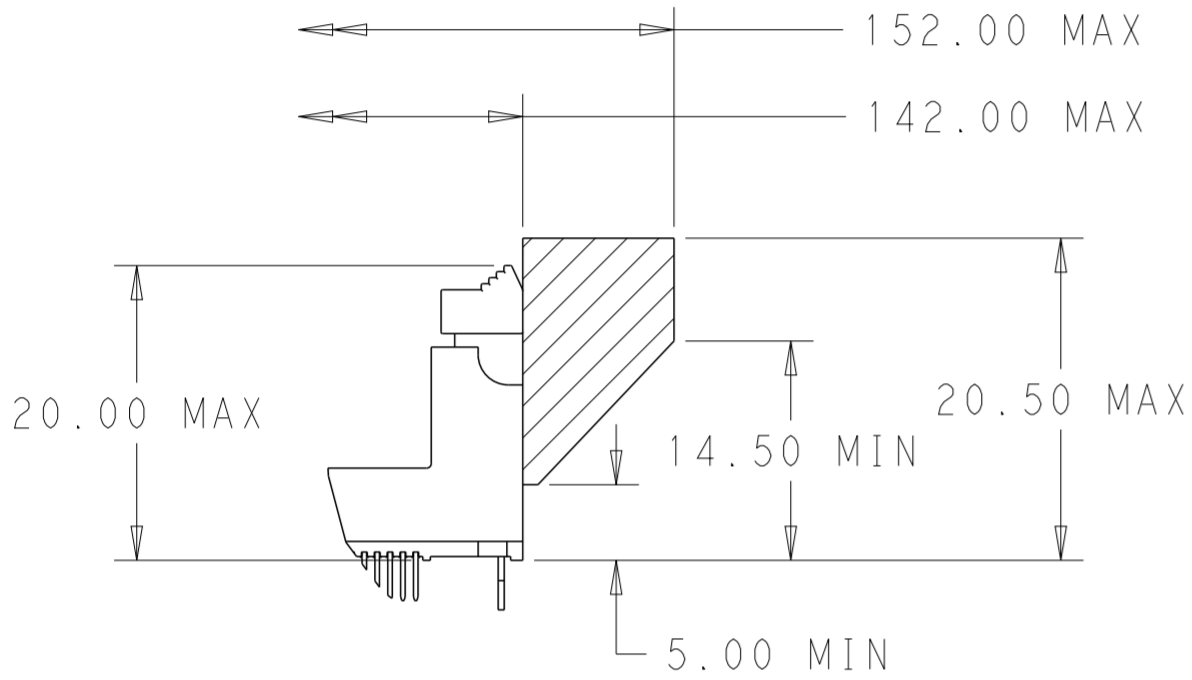


RECOMMENDED MODULE LAYOUT

THIS DRAWING IS A CONTROLLED DOCUMENT.		DWN RICHARD MA 18MAR2013	TE Connectivity	
		CHK SIMON LI 18MAR2013		
DIMENSIONS: mm		APVD COREI WANG 18MAR2013	NAME SOCKET ASSEMBLY	
TOLERANCES UNLESS OTHERWISE SPECIFIED:		PRODUCT SPEC 108-115067	DDR4 DIMM, T/H TYPE	
0 PLC ±1	1 PLC ±0.25	APPLICATION SPEC 501-115076	288 POSITION	
2 PLC ±0.15	3 PLC ±0.10	WEIGHT -	SIZE A2	CAGE CODE 00779
4 PLC ±	ANGLES ±	CUSTOMER DRAWING	DRAWING NO C-2199154	RESTRICTED TO -
MATERIAL FINISH		SCALE 1:1	SHEET 2	OF 8
			REV C8	

THIS DRAWING IS UNPUBLISHED. RELEASED FOR PUBLICATION 20
 © COPYRIGHT 20 TE CONNECTIVITY ALL RIGHTS RESERVED.

LOC		DIST		REVISIONS			
P	LTR	DESCRIPTION	DATE	DWN	APVD		
-	-	SEE SHEET 1	-	-	-		



SHORT LATCH TYPE

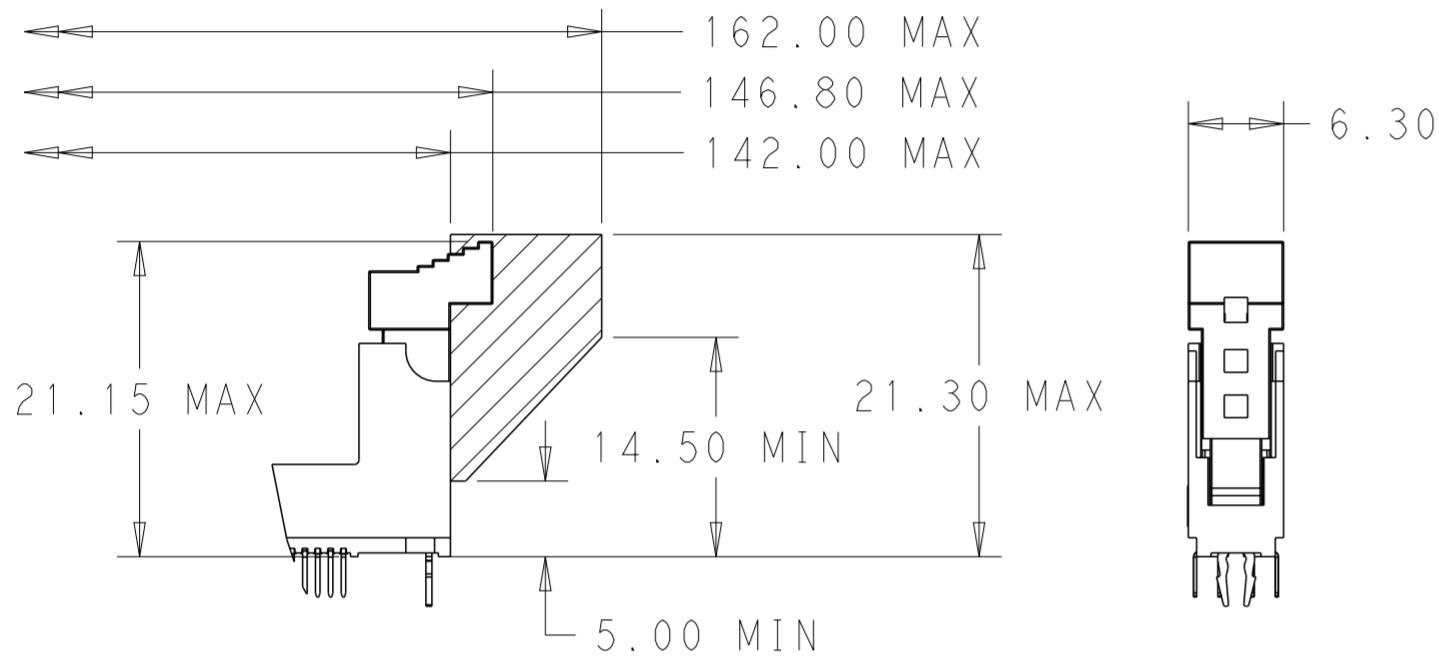
SOFT TRAY	BOARD LOCK	BLUE (2935U)	BLUE (2935U)	0.00038 MIN	2.10	9-2199154-6
SOFT TRAY	BOARD LOCK	NATURAL	BLUE (2935U)	0.00038 MIN	2.10	9-2199154-3
SOFT TRAY	BOARD LOCK	NATURAL	GREEN (375C)	0.00038 MIN	2.67	9-2199154-2
SOFT TRAY	BOARD LOCK	GREEN (375C)	BLACK	0.00076 MIN	2.10	8-2199154-9
SOFT TRAY	BOARD LOCK	NATURAL	BLUE (2935U)	0.00038 MIN	2.67	8-2199154-8
SOFT TRAY	BOARD LOCK	NATURAL	YELLOW (107C)	0.00076 MIN	3.18	8-2199154-7
SOFT TRAY	BOARD LOCK	NATURAL	YELLOW (107C)	0.00038 MIN	3.18	8-2199154-6
SOFT TRAY	BOARD LOCK	NATURAL	BLUE (2935U)	0.00076 MIN	3.18	8-2199154-4
SOFT TRAY	BOARD LOCK	GREEN (375C)	BLACK	0.00050 MIN	3.18	8-2199154-3
SOFT TRAY	BOARD LOCK	NATURAL	BLUE (2935U)	0.00038 MIN	3.18	8-2199154-2
SOFT TRAY	BOARD LOCK	GREEN (375C)	BLACK	0.00076 MIN	2.67	8-2199154-1
SOFT TRAY	BOARD LOCK	BLUE (2935U)	BLUE (2935U)	0.00038 MIN	2.67	7-2199154-9
SOFT TRAY	BOARD LOCK	NATURAL	YELLOW (107C)	0.00076 MIN	2.67	6-2199154-9
SOFT TRAY	BOARD LOCK	BLUE (2935U)	BLUE (2935U)	0.00038 MIN	3.18	6-2199154-6
SOFT TRAY	BOARD LOCK	BLACK	BLACK	0.00076 MIN	3.18	6-2199154-4
SOFT TRAY	BOARD LOCK	NATURAL	BLACK	0.00076 MIN	3.18	6-2199154-0
SOFT TRAY	BOARD LOCK	BLACK	BLACK	0.00050 MIN	3.18	5-2199154-2
SOFT TRAY	BOARD LOCK	NATURAL	BLACK	0.00050 MIN	3.18	5-2199154-1
SOFT TRAY	BOARD LOCK	NATURAL	NATURAL	0.00076 MIN	3.18	2-2199154-6
SOFT TRAY	BOARD LOCK	NATURAL	NATURAL	0.00038 MIN	3.18	2-2199154-5
SOFT TRAY	BOARD LOCK	BLACK	BLACK	0.00038 MIN	3.18	2-2199154-3
SOFT TRAY	BOARD LOCK	NATURAL	BLACK	0.00038 MIN	3.18	2-2199154-1
SOFT TRAY	BOARD LOCK	NATURAL	NATURAL	0.00076 MIN	2.10	1-2199154-6
SOFT TRAY	BOARD LOCK	NATURAL	BLACK	0.00038 MIN	2.10	1-2199154-5
SOFT TRAY	BOARD LOCK	BLACK	BLACK	0.00076 MIN	2.10	1-2199154-4
SOFT TRAY	BOARD LOCK	NATURAL	NATURAL	0.00038 MIN	2.10	1-2199154-3
SOFT TRAY	BOARD LOCK	NATURAL	BLACK	0.00076 MIN	2.10	1-2199154-2
SOFT TRAY	BOARD LOCK	BLACK	BLACK	0.00038 MIN	2.10	1-2199154-1
SOFT TRAY	BOARD LOCK	NATURAL	NATURAL	0.00076 MIN	2.67	2199154-6
SOFT TRAY	BOARD LOCK	NATURAL	NATURAL	0.00038 MIN	2.67	2199154-5
SOFT TRAY	BOARD LOCK	BLACK	BLACK	0.00076 MIN	2.67	2199154-4
SOFT TRAY	BOARD LOCK	BLACK	BLACK	0.00038 MIN	2.67	2199154-3
SOFT TRAY	BOARD LOCK	NATURAL	BLACK	0.00076 MIN	2.67	2199154-2
SOFT TRAY	BOARD LOCK	NATURAL	BLACK	0.00038 MIN	2.67	2199154-1
PACKING STYLE	HOUSING STYLE	EXTRACTOR COLOR	HOUSING COLOR	CONTACT GOLD INTERFACE Δ	DIM A	PART NUMBER

THIS DRAWING IS A CONTROLLED DOCUMENT.

DWN RICHARD MA 18MAR2013	 TE Connectivity	NAME SOCKET ASSEMBLY DDR4 DIMM, T/H TYPE 288 POSITION	RESTRICTED TO -
CHK SIMON LJ 18MAR2013			
APVD COREI WANG 18MAR2013			
PRODUCT SPEC 108-115067			
APPLICATION SPEC 501-115076	SIZE A2	CAGE CODE 00779	DRAWING NO C-2199154
MATERIAL -	WEIGHT -	SCALE 1:1	SHEET 3 OF 8
CUSTOMER DRAWING		REV C8	

THIS DRAWING IS UNPUBLISHED. RELEASED FOR PUBLICATION 20
 © COPYRIGHT 20 TE CONNECTIVITY ALL RIGHTS RESERVED.

REVISIONS							
LOC	DIST	P	LTR	DESCRIPTION	DATE	DWN	APVD
-	-						



LONG LATCH TYPE

SOFT TRAY	BOARD LOCK	NATURAL	GREEN(375C)	0.00076 MIN	3.18	9-2199154-9
SOFT TRAY	BOARD LOCK	NATURAL	YELLOW(107C)	0.00076 MIN	3.18	9-2199154-8
SOFT TRAY	BOARD LOCK	NATURAL	BLUE(2935U)	0.00076 MIN	3.18	9-2199154-7
SOFT TRAY	BOARD LOCK	NATURAL	GREEN(375C)	0.00038 MIN	2.10	9-2199154-5
SOFT TRAY	BOARD LOCK	NATURAL	BLUE(2935U)	0.00038 MIN	2.10	9-2199154-4
SOFT TRAY	BOARD LOCK	NATURAL	BLUE(2935U)	0.00038 MIN	3.18	9-2199154-0
SOFT TRAY	BOARD LOCK	BLUE(2935U)	BLUE(2935U)	0.00038 MIN	2.10	8-2199154-0
SOFT TRAY	BOARD LOCK	BLUE(2935U)	BLUE(2935U)	0.00038 MIN	2.67	7-2199154-8
SOFT TRAY	BOARD LOCK	BLACK	BLACK	0.00076 MIN	3.18	7-2199154-6
SOFT TRAY	BOARD LOCK	BLUE(2935U)	BLUE(2935U)	0.00038 MIN	3.18	7-2199154-5
SOFT TRAY	BOARD LOCK	NATURAL	NATURAL	0.00038 MIN	3.18	7-2199154-4
SOFT TRAY	BOARD LOCK	BLACK	BLACK	0.00038 MIN	3.18	7-2199154-3
SOFT TRAY	BOARD LOCK	NATURAL	BLACK	0.00038 MIN	2.67	6-2199154-8
SOFT TRAY	BOARD LOCK	NATURAL	BLUE(2935U)	0.00038 MIN	2.67	6-2199154-7
SOFT TRAY	BOARD LOCK	NATURAL	YELLOW(107C)	0.00038 MIN	2.67	6-2199154-5
SOFT TRAY	BOARD LOCK	NATURAL	BLACK	0.00038 MIN	3.18	6-2199154-1
SOFT TRAY	BOARD LOCK	BLACK	BLACK	0.00038 MIN	2.40	5-2199154-9
SOFT TRAY	BOARD LOCK	NATURAL	NATURAL	0.00038 MIN	2.40	5-2199154-8
SOFT TRAY	BOARD LOCK	BLACK	BLACK	0.00076 MIN	2.40	5-2199154-7
SOFT TRAY	BOARD LOCK	NATURAL	NATURAL	0.00076 MIN	2.40	5-2199154-6
SOFT TRAY	BOARD LOCK	NATURAL	BLACK	0.00076 MIN	2.67	5-2199154-5
SOFT TRAY	BOARD LOCK	BLACK	BLACK	0.00076 MIN	2.67	5-2199154-4
SOFT TRAY	WIDER BOARD LOCK	NATURAL	BLACK	0.00038 MIN	2.10	5-2199154-3
SOFT TRAY	WIDER BOARD LOCK	NATURAL	BLUE(2935U)	0.00038 MIN	2.10	5-2199154-0
SOFT TRAY	WIDER BOARD LOCK	NATURAL	GREEN(375C)	0.00038 MIN	2.10	4-2199154-9
SOFT TRAY	BOARD LOCK	NATURAL	BLACK	0.00038 MIN	2.40	4-2199154-8
SOFT TRAY	BOARD LOCK	NATURAL	YELLOW(107C)	0.00038 MIN	2.40	4-2199154-7
SOFT TRAY	BOARD LOCK	BLUE(2935U)	BLUE(2935U)	0.00076 MIN	2.67	4-2199154-0
HARD TRAY	BOARD LOCK	BLUE(2935U)	BLUE(2935U)	0.00038 MIN	3.18	3-2199154-9
HARD TRAY	BOARD LOCK	BLACK	BLACK	0.00038 MIN	3.18	3-2199154-8
HARD TRAY	BOARD LOCK	BLUE(2935U)	BLUE(2935U)	0.00038 MIN	2.67	3-2199154-7
HARD TRAY	BOARD LOCK	BLACK	BLACK	0.00038 MIN	2.67	3-2199154-6
SOFT TRAY	BOARD LOCK	NATURAL	BLACK	0.00076 MIN	2.40	3-2199154-3
SOFT TRAY	BOARD LOCK	NATURAL	BLACK	0.00076 MIN	3.18	2-2199154-8
SOFT TRAY	BOARD LOCK	BLACK	BLACK	0.00038 MIN	2.10	1-2199154-9
SOFT TRAY	BOARD LOCK	NATURAL	NATURAL	0.00038 MIN	2.10	1-2199154-8
SOFT TRAY	BOARD LOCK	NATURAL	BLACK	0.00038 MIN	2.10	1-2199154-7
SOFT TRAY	BOARD LOCK	BLACK	BLACK	0.00038 MIN	2.67	2199154-9
SOFT TRAY	BOARD LOCK	NATURAL	NATURAL	0.00038 MIN	2.67	2199154-8
SOFT TRAY	BOARD LOCK	NATURAL	BLACK	0.00038 MIN	2.67	2199154-7
PACKING STYLE	HOUSING STYLE	EXTRACTOR COLOR	HOUSING COLOR	CONTACT GOLD INTERFACE	DIM A	PART NUMBER

THIS DRAWING IS A CONTROLLED DOCUMENT.

DWN RICHARD MA 18MAR2013
 CHK SIMON LJ 18MAR2013
 APVD COREI WANG 18MAR2013

STE TE Connectivity

NAME SOCKET ASSEMBLY
 DDR4 DIMM, T/H TYPE
 288 POSITION

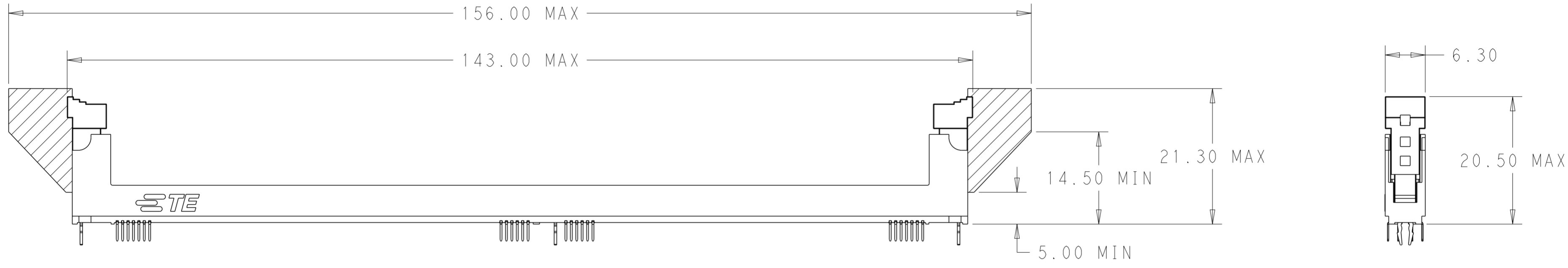
PRODUCT SPEC 108-115067
 APPLICATION SPEC 501-115076

SIZE A2 CAGE CODE 00779 DRAWING NO C-2199154 RESTRICTED TO -
 WEIGHT - SCALE 1:1 SHEET 4 OF 8 REV C8

CUSTOMER DRAWING


THIS DRAWING IS UNPUBLISHED. RELEASED FOR PUBLICATION 20
 © COPYRIGHT 20 TE CONNECTIVITY ALL RIGHTS RESERVED.

LOC	DIST	REVISIONS			
P	LTR	DESCRIPTION	DATE	DWN	APVD
-	-	SEE SHEET 1	-	-	-



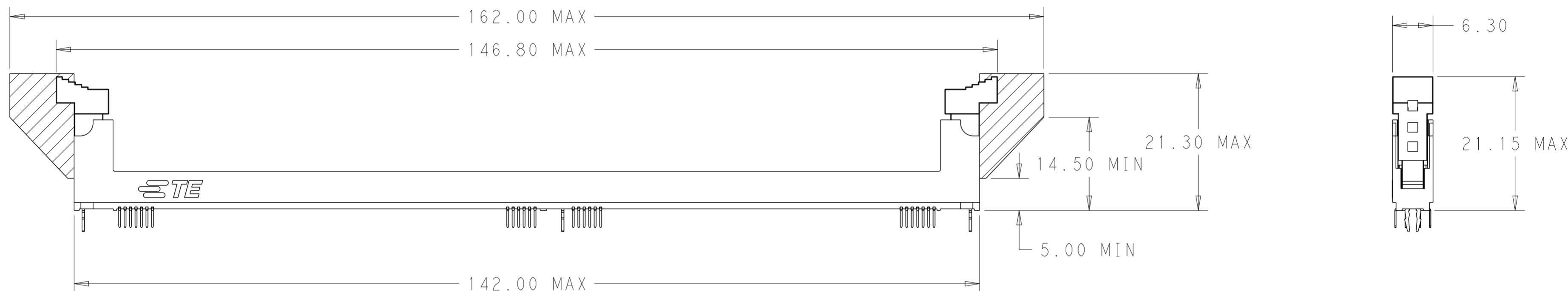
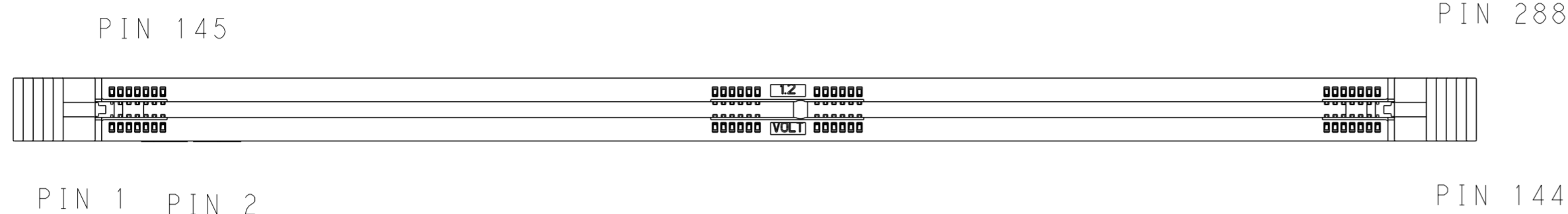
MIDDLE LATCH TYPE

SOFT TRAY	BOARD LOCK	NATURAL	NATURAL	0.00076 MIN	2.67	3-2199154-5
SOFT TRAY	BOARD LOCK	NATURAL	NATURAL	0.00038 MIN	2.67	3-2199154-4
PACKING STYLE	HOUSING STYLE	EXTRACTOR COLOR	HOUSING COLOR	CONTACT GOLD INTERFACE	DIM A	PART NUMBER

THIS DRAWING IS A CONTROLLED DOCUMENT.		DWN RICHARD MA 18MAR2013	 TE Connectivity
DIMENSIONS: mm		CHK SIMON LJ 18MAR2013	
TOLERANCES UNLESS OTHERWISE SPECIFIED: 0 PLC ±1 1 PLC ±0.25 2 PLC ±0.15 3 PLC ±0.10 4 PLC ± ANGLES ± FINISH		APVD COREI WANG 18MAR2013	
MATERIAL		PRODUCT SPEC 108-115067	
		APPLICATION SPEC 501-115076	NAME SOCKET ASSEMBLY DDR4 DIMM, T/H TYPE 288 POSITION
		WEIGHT -	SIZE A2 CAGE CODE 00779 DRAWING NO C-2199154 RESTRICTED TO -
		CUSTOMER DRAWING	SCALE 1:1 SHEET 5 OF 8 REV C8

THIS DRAWING IS UNPUBLISHED. RELEASED FOR PUBLICATION 20
 © COPYRIGHT 20 TE CONNECTIVITY ALL RIGHTS RESERVED.

LOC		DIST		REVISIONS			
P	LTR	DESCRIPTION	DATE	DWN	APVD		
-	-	SEE SHEET 1	-	-	-		



SOFT TRAY	BOARD LOCK	NATURAL	BLUE(2935U)	BLUE(2935U)	0.00038 MIN	3.18	4-2199154-3
SOFT TRAY	BOARD LOCK	NATURAL	BLACK	BLACK	0.00038 MIN	3.18	4-2199154-4
PACKING STYLE	HOUSING STYLE	EXTRACTOR COLOR (LEFT)	EXTRACTOR COLOR (RIGHT)	HOUSING COLOR	CONTACT GOLD INTERFACE	DIM A	PART NUMBER

THIS DRAWING IS A CONTROLLED DOCUMENT.

DWN	RICHARD MA	18MAR2013
CHK	SIMON LI	18MAR2013
APVD	COREI WANG	18MAR2013

NAME: SOCKET ASSEMBLY
DDR4 DIMM, T/H TYPE
288 POSITION

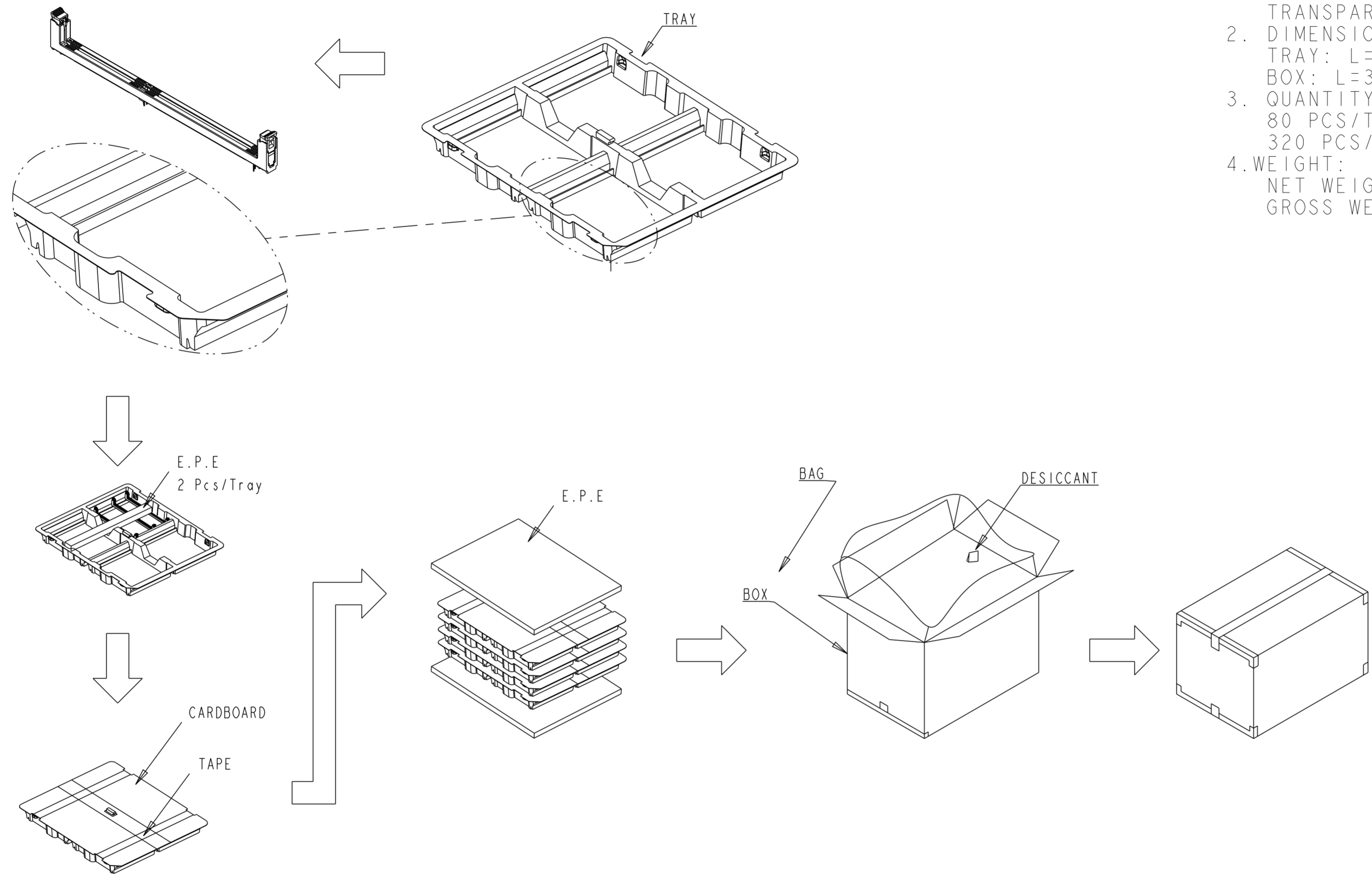
SIZE	CAGE CODE	DRAWING NO	RESTRICTED TO
A2	00779	C-2199154	-

MATERIAL: - FINISH: - WEIGHT: -

CUSTOMER DRAWING SCALE 1:1 SHEET 6 OF 8 REV C8

THIS DRAWING IS UNPUBLISHED. RELEASED FOR PUBLICATION 20
 © COPYRIGHT 20 TE CONNECTIVITY ALL RIGHTS RESERVED.

LOC		DIST		REVISIONS			
P	LTR	DESCRIPTION	DATE	DWN	APVD		
-	-						

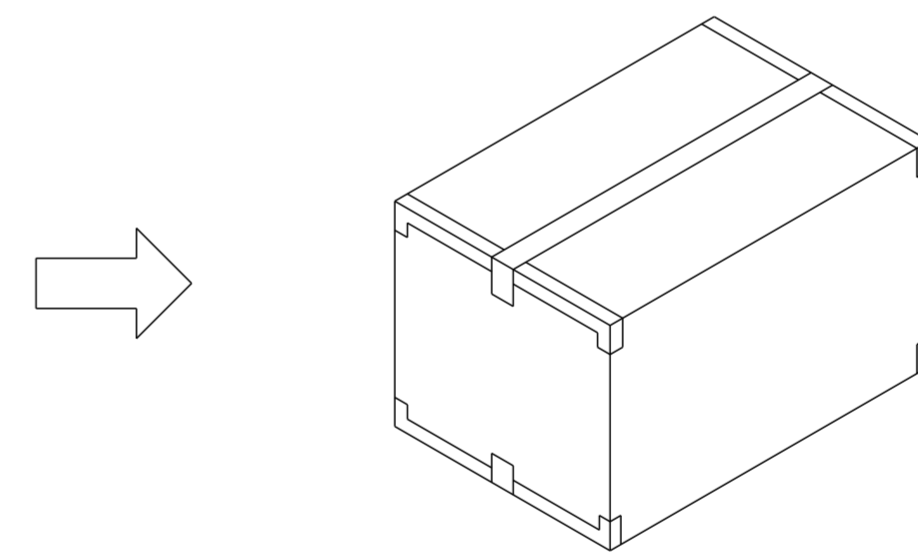
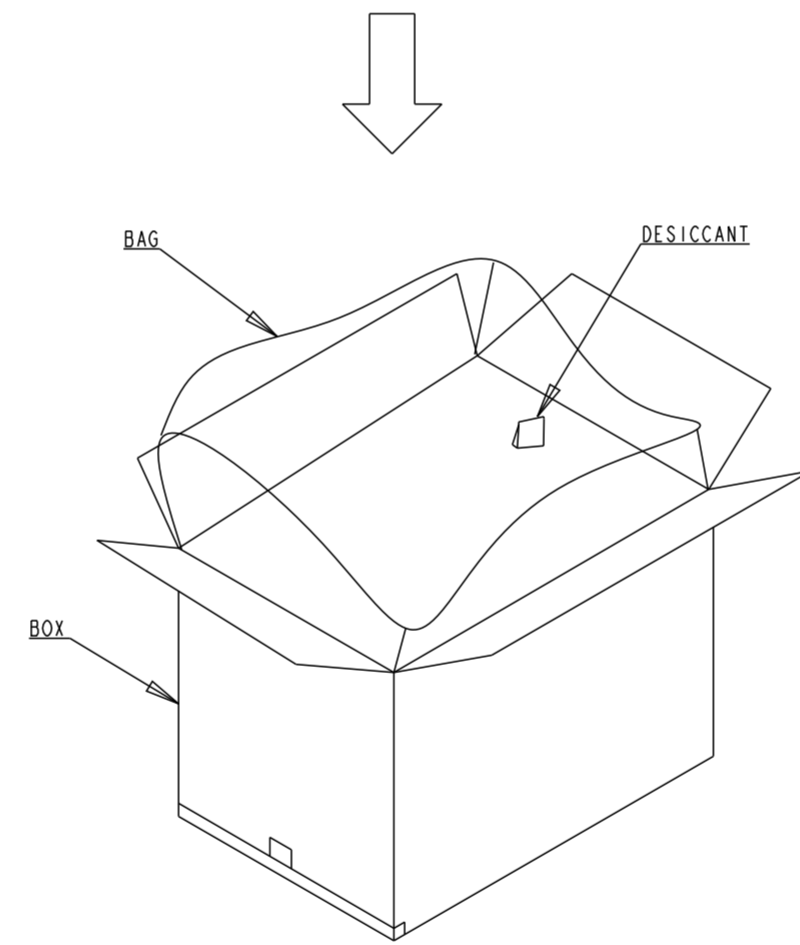
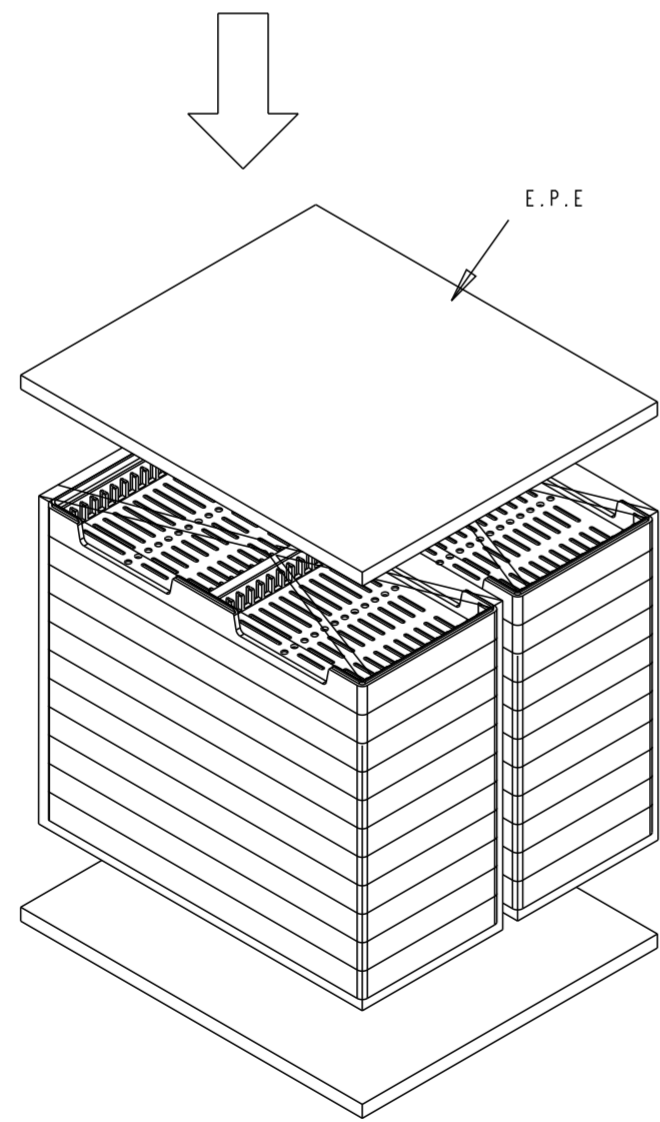
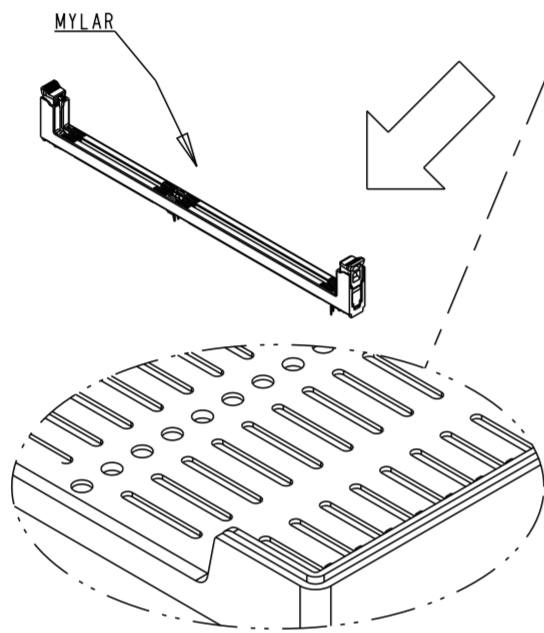
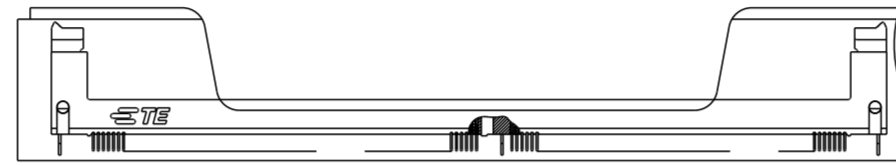
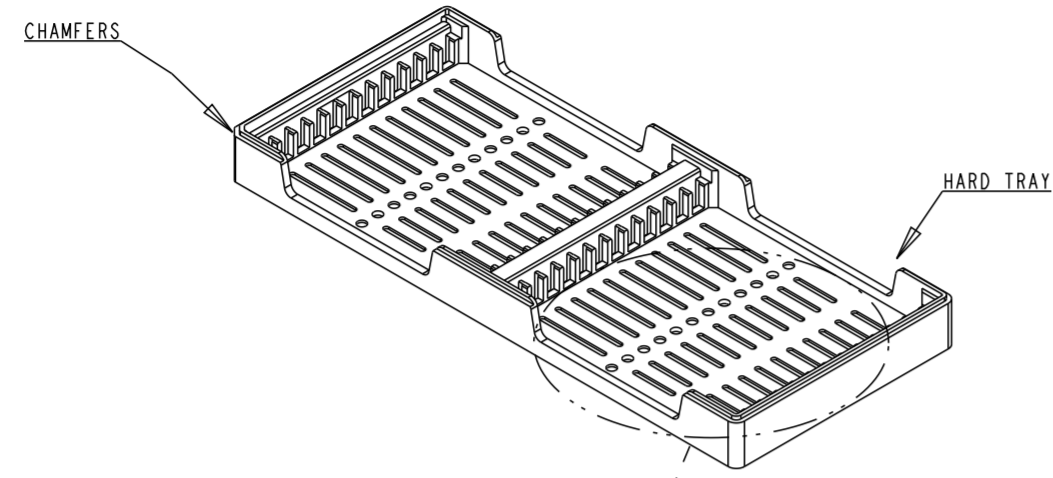


- MATERIALS :
 TRAY: PVC, COLOR: TRANSPARENT
 BOX: CORRUGATED FIBERBOARD
 TRANSPARENT BAG: PE
- DIMENSIONS:
 TRAY: L=343;W=305;H=32.5
 BOX: L=365;W=323;H=200
- QUANTITY:
 80 PCS/TRAY
 320 PCS/BOX
- WEIGHT:
 NET WEIGHT: 1.9KG
 GROSS WEIGHT: 3.4KG

SOFT TRAY PACKING

THIS DRAWING IS A CONTROLLED DOCUMENT.		DWN RICHARD MA 18MAR2013	TE Connectivity		
DIMENSIONS: mm		CHK SIMON LI 18MAR2013			
		TOLERANCES UNLESS OTHERWISE SPECIFIED: 0 PLC ±1 1 PLC ±0.25 2 PLC ±0.15 3 PLC ±0.10 4 PLC ± ANGLES ± FINISH ±		APVD COREI WANG 18MAR2013 PRODUCT SPEC 108-115067 APPLICATION SPEC 501-115076	NAME SOCKET ASSEMBLY DDR4 DIMM, T/H TYPE 288 POSITION
MATERIAL		WEIGHT		SIZE A200779 CAGE CODE C-2199154 DRAWING NO RESTRICTED TO SCALE 1:1 SHEET 7 OF 8 REV C8	
		CUSTOMER DRAWING			

LOC		DIST		REVISIONS			
P	LTR	DESCRIPTION	DATE	DWN	APVD		
-	-						



- MATERIALS :
 TRAY: HIPS, COLOR: BLACK
 BOX: CORRUGATED FIBERBOARD
 TRANSPARENT BAG: PE
- DIMENSIONS:
 TRAY: L=326;W=136;H=28.2
 BOX: L=323;W=285;H=335
- QUANTITY:
 24 PCS/TRAY
 480 PCS/BOX
- WEIGHT:
 NET WEIGHT: 3.0KG
 GROSS WEIGHT: 6.7KG

HARD TRAY PACKING

THIS DRAWING IS A CONTROLLED DOCUMENT.		DWN 18MAR2013 RICHARD MA	STE TE Connectivity	
		CHK 18MAR2013 SIMON LI		
DIMENSIONS: mm		APVD 18MAR2013 COREI WANG	NAME SOCKET ASSEMBLY DDR4 DIMM, T/H TYPE 288 POSITION	
TOLERANCES UNLESS OTHERWISE SPECIFIED: 0 PLC ±1 1 PLC ±0.25 2 PLC ±0.15 3 PLC ±0.10 4 PLC ± ANGLES ± FINISH		PRODUCT SPEC 108-115067	SIZE A2	CAGE CODE 00779
MATERIAL		APPLICATION SPEC 501-115076	DRAWING NO C-2199154	RESTRICTED TO -
		WEIGHT -	SCALE 1:1	SHEET 8 OF 8 REV C8
		CUSTOMER DRAWING		

Mouser Electronics

Authorized Distributor

Click to View Pricing, Inventory, Delivery & Lifecycle Information:

[TE Connectivity:](#)

[9-2199154-7](#)