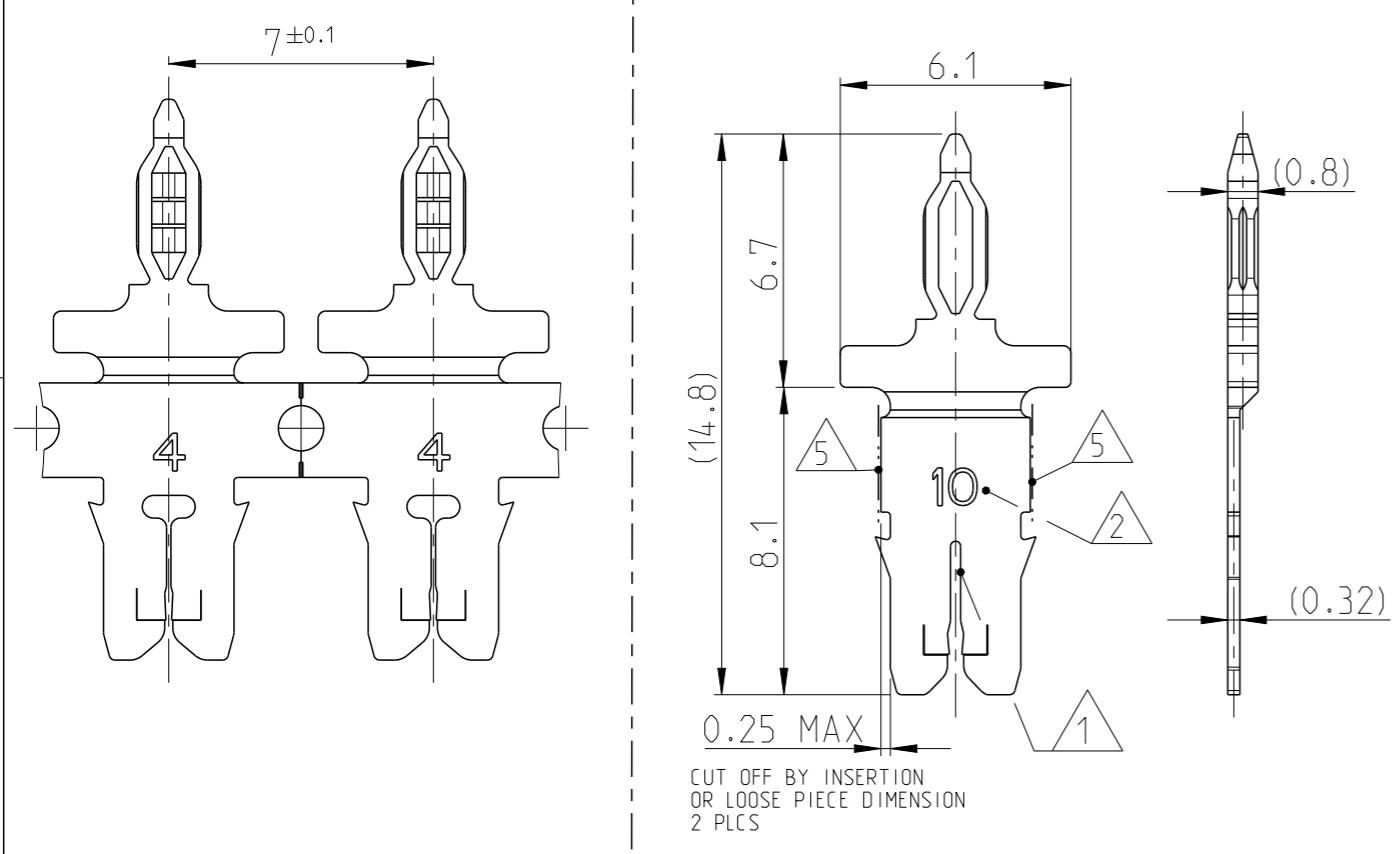
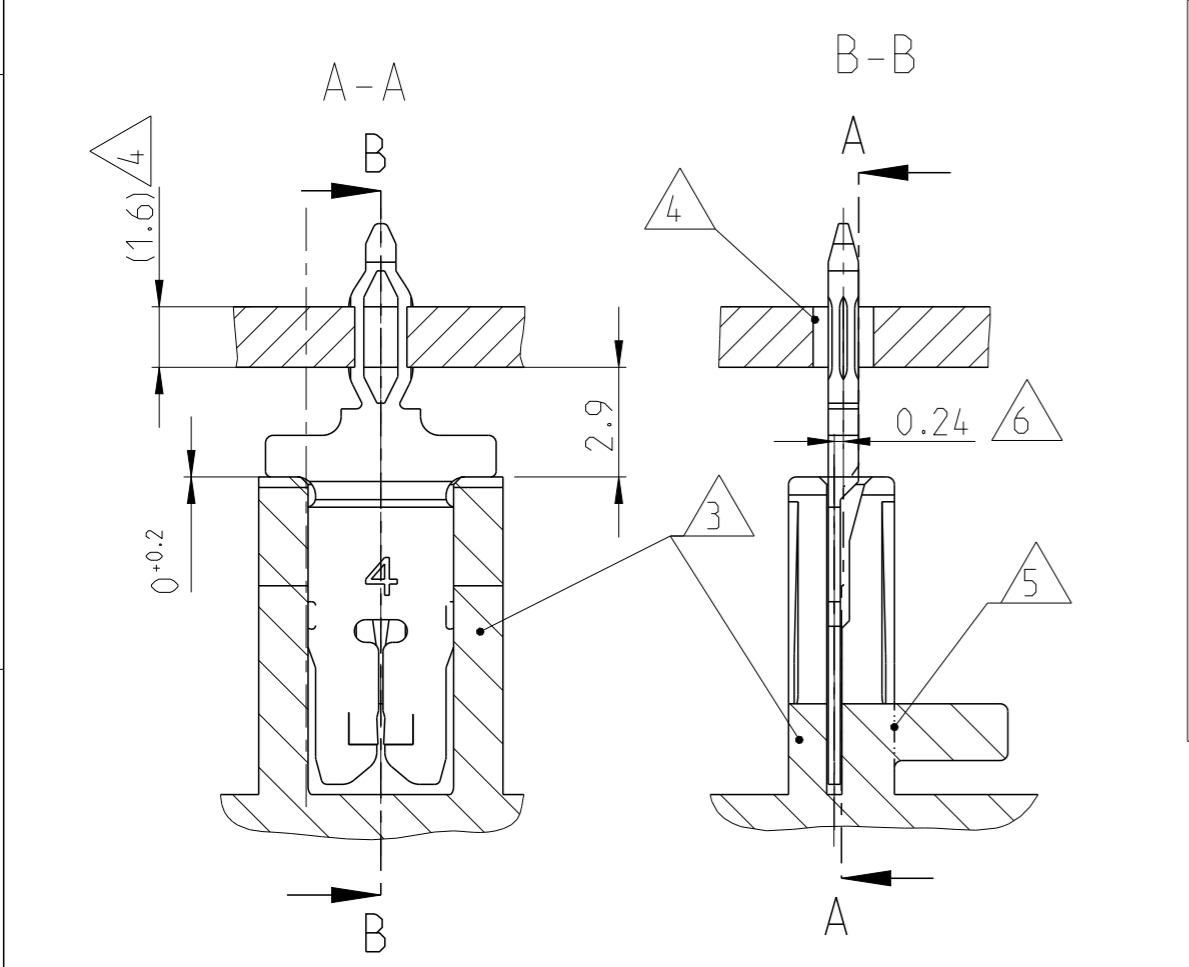


| LOC | DIST | REVISIONS | | | | | |
|-----|------|-----------|-----|---------------------------------|-----------|-----|------|
| | | P | LTR | DESCRIPTION | DATE | DWN | APVD |
| A1 | - | | A8 | 2825667-1 ADDED | 15NOV2019 | JA | PKS |
| | | | A9 | ACTIVATED PART NUMBER 2825667-1 | 10MAR2020 | PC | KR |
| | | | A10 | REVISED PER ECR-20-010099 | 20JUL2020 | BDA | KR |
| | | | A11 | REVISED PER ECR-20-012333 | 09SEP2020 | BDA | KR |



- 1 SLOT ACCEPTS SINGLE OR DOUBLE COPPER MAGNET WIRE SAME DIAMETERS NOT FOR USE WITH ALUMINUM MAGNET WIRE
 - 2 IDENTIFICATION NUMBER FOR MAGNET WIRE RANGE
 - 3 CONTACT CAVITY AND APPLICATION ACC. SPECIFICATION 114-94229
 - 4 PCB LAYOUT, HOLES ACC. SPECIFICATION. 108-90801
 - 5 CUTTING LINE: AREA WILL BE CUTTED OFF BY TERMINATION
 - 6 CAVITY CENTER TO HOLE CENTER
 - 7 DELIVERY STATE: STRIP ON CORRUGATED REEL WITH PAPER INTERLAYER
 - 8 TO BE APPROVED, ON DEMAND BY TE ENGINEERING
 - 9 MAX. 2 SPLICES PER REEL; SPLICES BE NOT BONDED TOGETHER
 - 10 PRELIMINARY- NOT RELEASED FOR PRODUCTION.
- SEE TABLE



| DIRECTION TOP OF REEL | 2825667-1 | 24 | - | 19.5 - 17.5; 17 | - | Ø 0.85mm to Ø 1.12mm | 2120747-2 |
|-----------------------|-------------------------|-------------------|-----------------------|--------------------|--------------------------|--------------------------|------------------------|
| | | | | | | | |
| | 2825388-1 | 10 | 26 - 23 | 26 - 22.5 | Ø 0.4mm to Ø 0.56mm | Ø 0.4mm to Ø 0.63mm | 2120745-2 |
| | | 6 | 29.5 - 26.5; 26 | 29.5 - 26.5; 26 | Ø 0.265mm to Ø 0.4mm | Ø 0.265mm to Ø 0.4mm | 2120744-2 |
| | | 4 | 33 - 30; 29.5 | 33 - 30; 29.5 | Ø 0.18mm to Ø 0.265mm | Ø 0.18mm to Ø 0.265mm | 2120743-3 2120743-2 |
| | LOOSE PEICE PART NUMBER | IDENTIFICATION NO | DOUBLE WIRE | SINGLE WIRE | DOUBLE WIRE | SINGLE WIRE | PART NO |
| | | | 1 AWG BARE WIRE RANGE | | 1 BARE WIRE RANGE | | |

THIS DRAWING IS A CONTROLLED DOCUMENT.

DIMENSIONS: mm

TOLERANCES UNLESS OTHERWISE SPECIFIED:

| | |
|--------|------|
| 0 PLC | ±0.2 |
| 1 PLC | ±0.2 |
| 2 PLC | ±0.2 |
| 3 PLC | ±0.2 |
| 4 PLC | ±0.2 |
| ANGLES | ±1° |

MATERIAL: CuNiSi FINISH: TINNED

Customer Drawing

DWN: H. Ballmert 28NOV2012
 CHK: B. Schnaubelt 30NOV2012
 APVD: T. Klenner 30NOV2012

PRODUCT SPEC: 108-94366
 APPLICATION SPEC: 3

NAME: MAG-MATE Slim Line Contact with Multispring

SIZE: A3 CAGE CODE: 00779 DRAWING NO: C-2120743 RESTRICTED TO: -

SCALE: 5:1 SHEET: 1 OF 1 REV: A11

11 NOTE DELETED
 12 PART NUMBER IS OBSOLETE

Mouser Electronics

Authorized Distributor

Click to View Pricing, Inventory, Delivery & Lifecycle Information:

[TE Connectivity:](#)

[2120747-2](#)