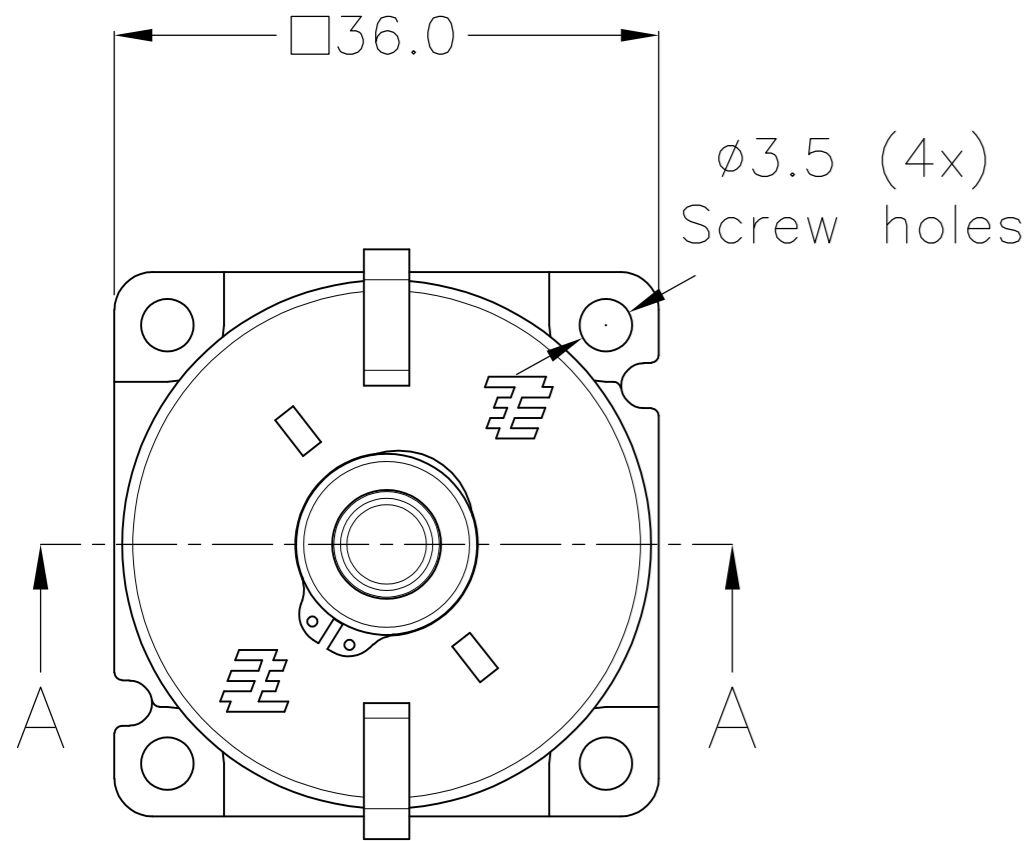
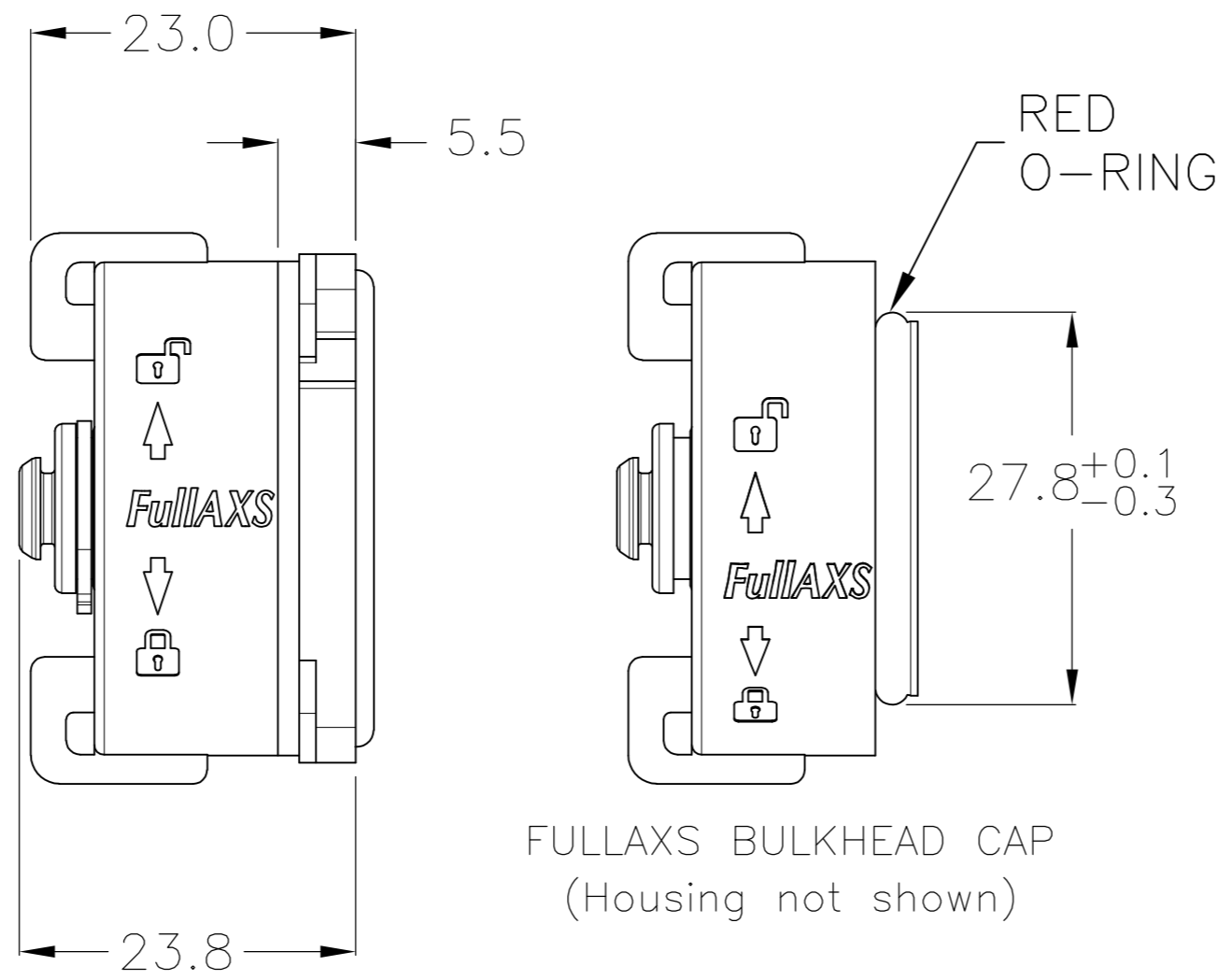


THIS DRAWING IS UNPUBLISHED. RELEASED FOR PUBLICATION
 © COPYRIGHT - By - ALL RIGHTS RESERVED.

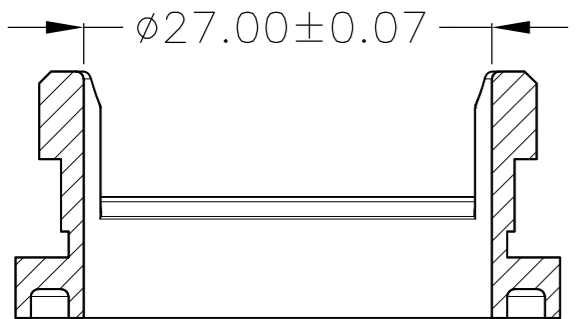
LOC		DIST		REVISIONS			
P	LTR	DESCRIPTION	DATE	DWN	APVD		
H	-	A	INITIAL RELEASE	17DEC2013	RC	EVS	



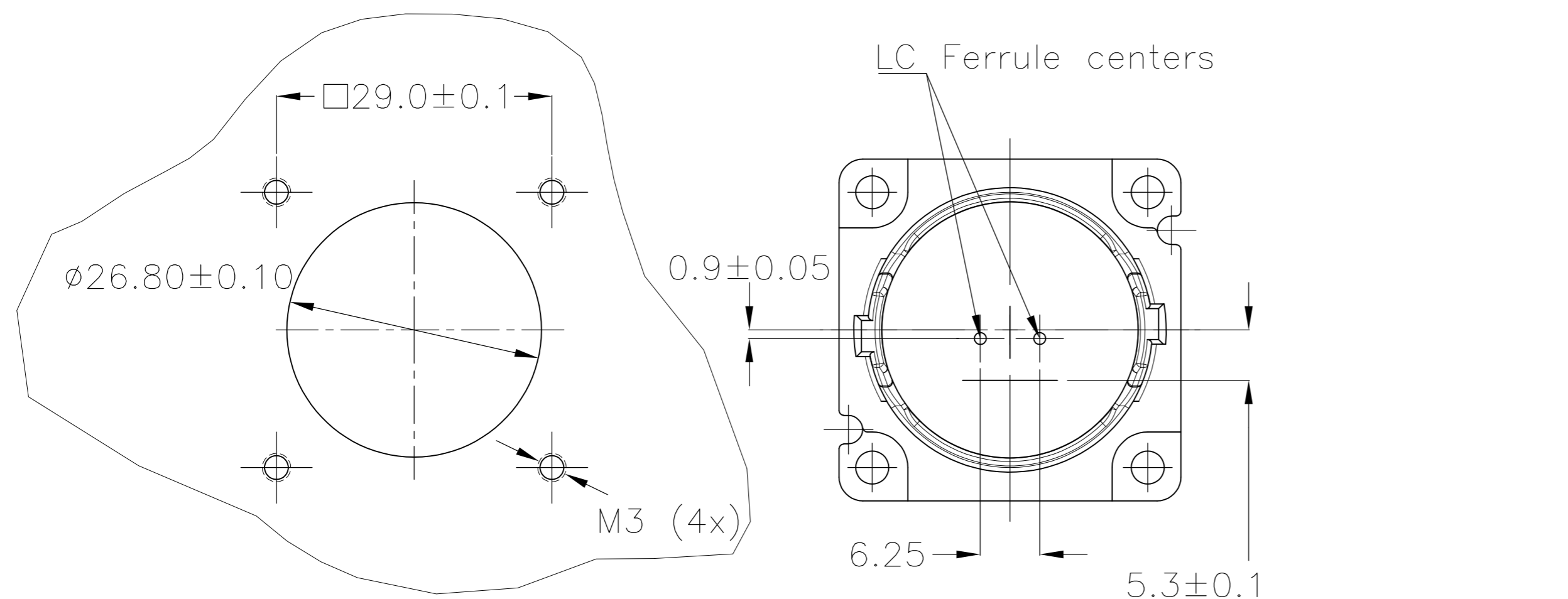
ASSEMBLED 2061843-1
(cord not shown)



FULLAXS BULKHEAD CAP
(Housing not shown)

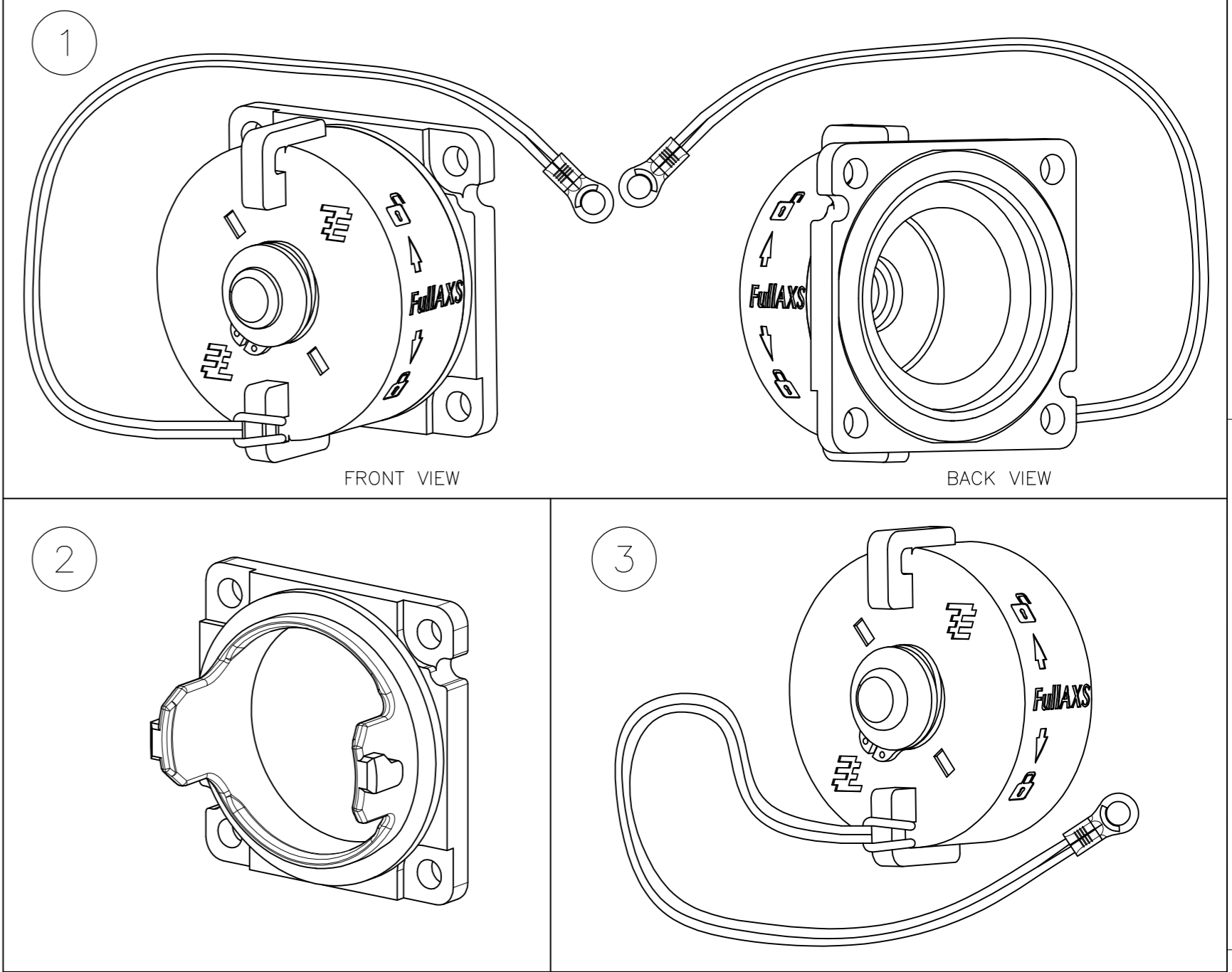


SECTION A-A
(Cap not shown)



Recommended panel cutout
for the assembly and housing

5.3 ± 0.1
Center of bulkhead
adapter to top of PCB.



NOTE:

SHOWN DIMENSIONS ARE FOR REFERENCE ONLY

ITEM	TE PART NUMBER	DESCRIPTION
1	2061843-1	FOKIT FULLAXS BULKHEAD ASSEMBLY, IP67
2	2061843-2	FOAC FULLAXS BULKHEAD HOUSING
3	2061843-3	FOAC FULLAXS BULKHEAD CAP, IP67

THIS DRAWING IS A CONTROLLED DOCUMENT.		DWN R. COOLEN 17DEC2013	TE TE Connectivity	
DIMENSIONS: mm		CHK A. HENGELMOLEN 17DEC2013		
TOLERANCES UNLESS OTHERWISE SPECIFIED:		APVD E. VERVOORT-SERVENS 17DEC2013	NAME	
0 PLC	± -	PRODUCT SPEC	FOKIT FULLAXS BULKHEAD ASSEMBLY, IP67	
1 PLC	± -	APPLICATION SPEC	SIZE A2	CAGE CODE 00779
2 PLC	± -	WEIGHT -	DRAWING NO C=2061843	RESTRICTED TO -
3 PLC	± -	CUSTOMER DRAWING	SCALE NTS	SHEET 1 of 1
4 PLC	± -			REV A
ANGLES	± -			
FINISH	-			

Mouser Electronics

Authorized Distributor

Click to View Pricing, Inventory, Delivery & Lifecycle Information:

[TE Connectivity:](#)

[2061843-1](#)