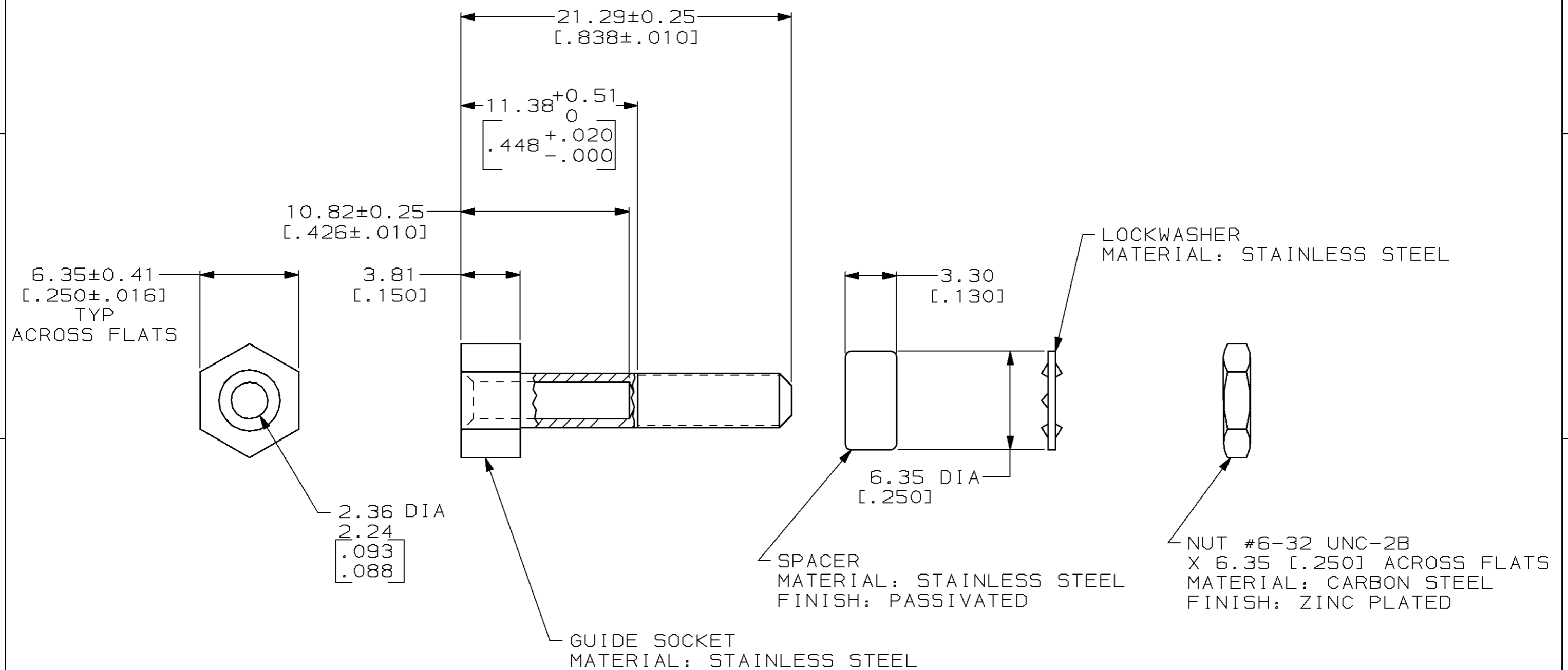
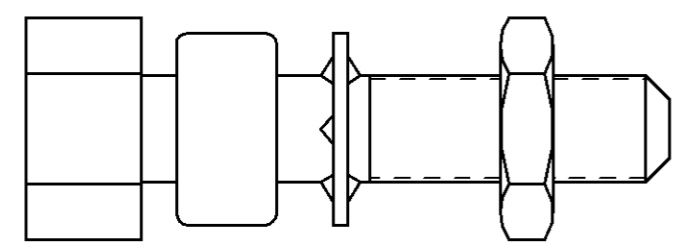


THIS DRAWING IS UNPUBLISHED. RELEASED FOR PUBLICATION ,19 .  
 © COPYRIGHT 19 BY AMP INCORPORATED. ALL RIGHTS RESERVED.

LOC	DIST	REVISIONS			
P	LTR	DESCRIPTION	DATE	DWN	APVD
FT	8	E	REDRAWN W/O CHANGE PER EC 0020-287-96	05 JUN 96	-



204099-2  
 PART NUMBER



THIS DRAWING IS A CONTROLLED DOCUMENT.		DWN B. CARBO 05 JUN 96	<b>AMP</b> AMP Incorporated Harrisburg, PA 17105-3608
DIMENSIONS: mm [INCHES]		CHK R. STONE 19 JUL 96	
TOLERANCES UNLESS OTHERWISE SPECIFIED:		APVD G. A. STEINHAUER 24 JUL 96	NAME
0 PLC ±-		PRODUCT SPEC	GUIDE, SOCKET ASSEMBLY, M SERIES
1 PLC ±-		APPLICATION SPEC	SIZE
2 PLC ±0.13 [ .005 ]		WEIGHT	CAGE CODE
3 PLC ±-		CUSTOMER DRAWING	DRAWING NO
4 PLC ±-			A3 00779 C-204099
ANGLES ±-			SCALE 4:1 SHEET 1 OF 1 REV E
MATERIAL SEE CALLOUTS	FINISH SEE CALLOUTS		

# Mouser Electronics

Authorized Distributor

Click to View Pricing, Inventory, Delivery & Lifecycle Information:

[TE Connectivity:](#)

[204099-2](#)