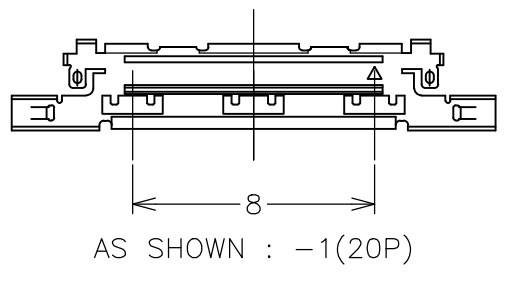
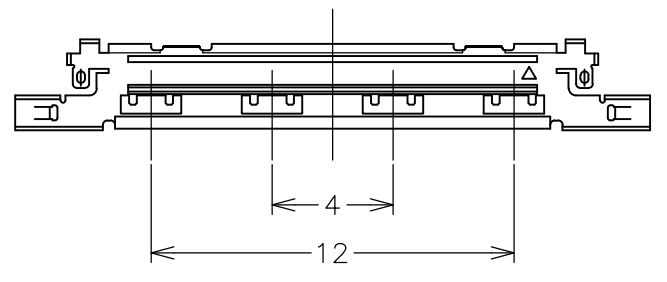
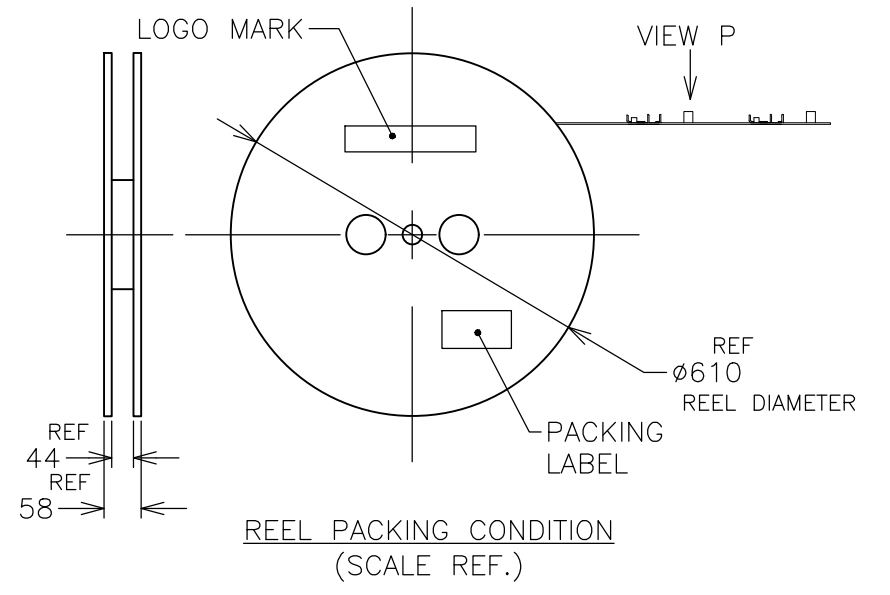
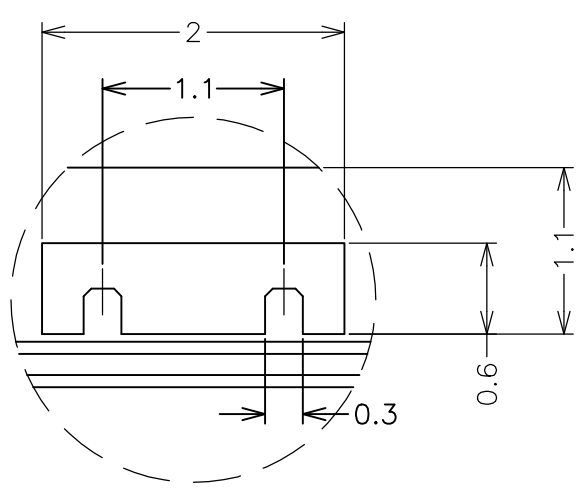
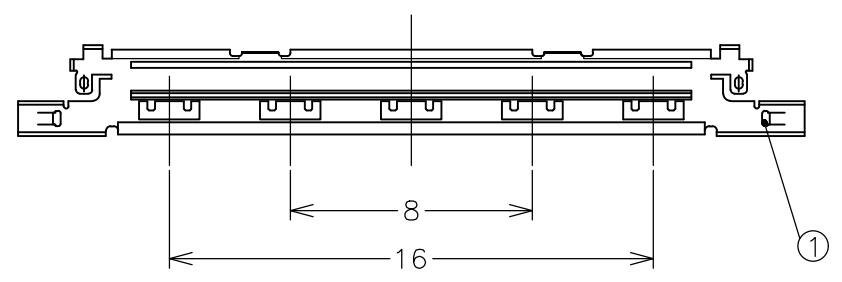
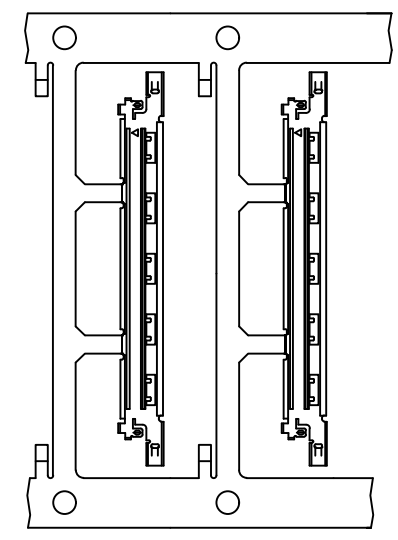
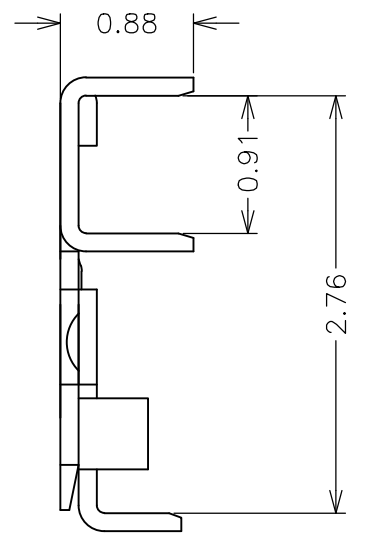
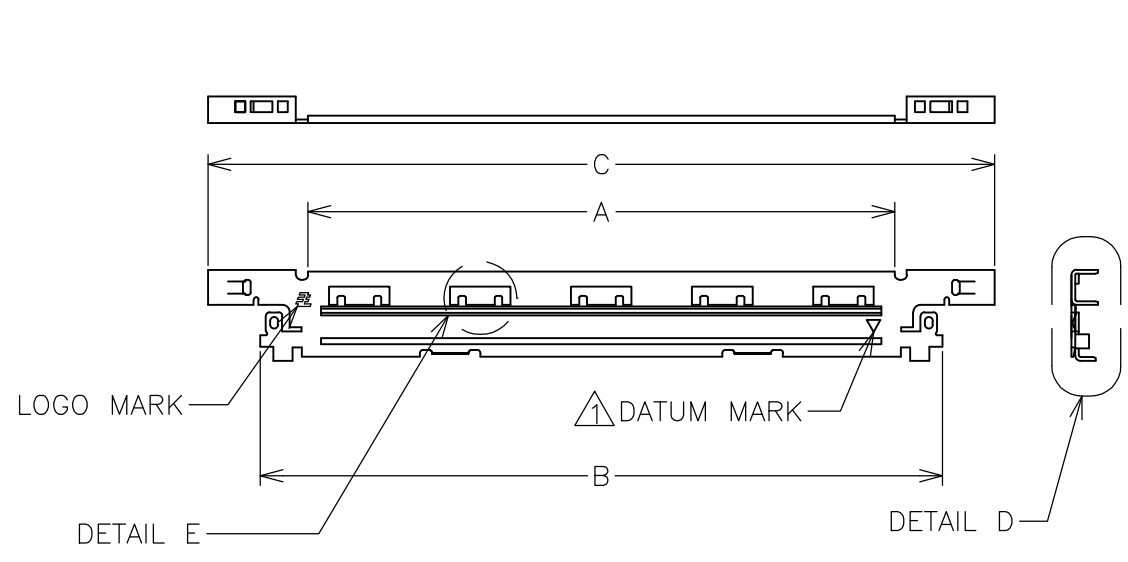


THIS DRAWING IS UNPUBLISHED. RELEASED FOR PUBLICATION
 © COPYRIGHT - TE Connectivity Ltd. ALL RIGHTS RESERVED.

REVISIONS 変更				
P	LTR	DESCRIPTION	DATE	APVD
	B	REVISED PER ECO-19-000017	07JAN2019	K.G W.H

PART NO.	POS NO.	A	B	C	DATUM MARK \triangle	TOOLING STATUS
2023347-3	40	19.4	22.56	26	WITHOUT DATUM MARK	AVAILABLE
2023347-2	30	14.4	17.56	21		NOT AVAILABLE
2023347-1	20	9.4	12.56	16		NOT AVAILABLE
5-2023347-3	40	19.4	22.56	26	WITH DATUM MARK	NOT AVAILABLE
5-2023347-2	30	14.4	17.56	21		NOT AVAILABLE
5-2023347-1	20	9.4	12.56	16		NOT AVAILABLE



GENERAL TOLERANCE	
6 MAX.	±0.2
6 OVER MAX. 30	±0.3
30 OVER MAX. 120	±0.5
ANGLE	±2°

①	UPPER SHELL	COPPER ALLOY, Au OVER Ni
ITEM	PART NAME	MATERIAL & FINISH \triangle

THIS DRAWING IS A CONTROLLED DOCUMENT.

DIMENSIONS: 単位: 耗 mm	TOLERANCES UNLESS OTHERWISE SPECIFIED: 一般公差
	0 RLC ± - 1 PLC ± - 2 PLC ± - 3 PLC ± - 4 PLC ANGLE ± -
MATERIAL 材料	FINISH 仕上

DWN Y.SHINO 18SEP2009	STE TE Connectivity	
CHK S.KAJINUMA 18SEP2009		
APVD S.KAJINUMA 18SEP2009	NAME 名称	
PRODUCT SPEC 製品規格 108-78659	LCD COAXIAL EMBEDDED DISPLAY INTERFACE (LCEDI) 0.5mm PITCH PLUG UPPER SHELL	
APPLICATION SPEC 取付適用規格 114-5456	SIZE A3	CAGE CODE 00779
WEIGHT 0.000000	DRAWING NO 番号 C-2023347	RESTRICTED TO -
CUSTOMER DRAWING	SCALE 尺度 4:1	SHEET 1 OF 1

Mouser Electronics

Authorized Distributor

Click to View Pricing, Inventory, Delivery & Lifecycle Information:

[TE Connectivity:](#)

[5-2023347-3](#)