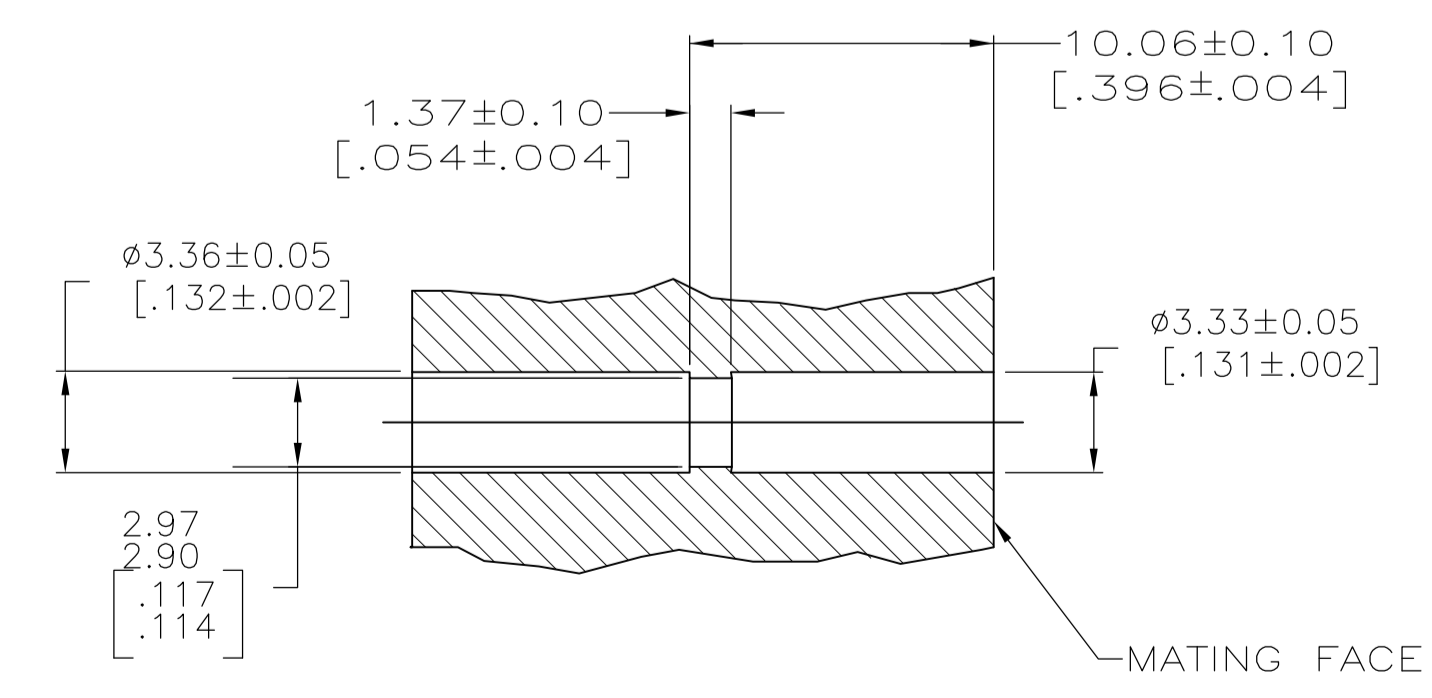
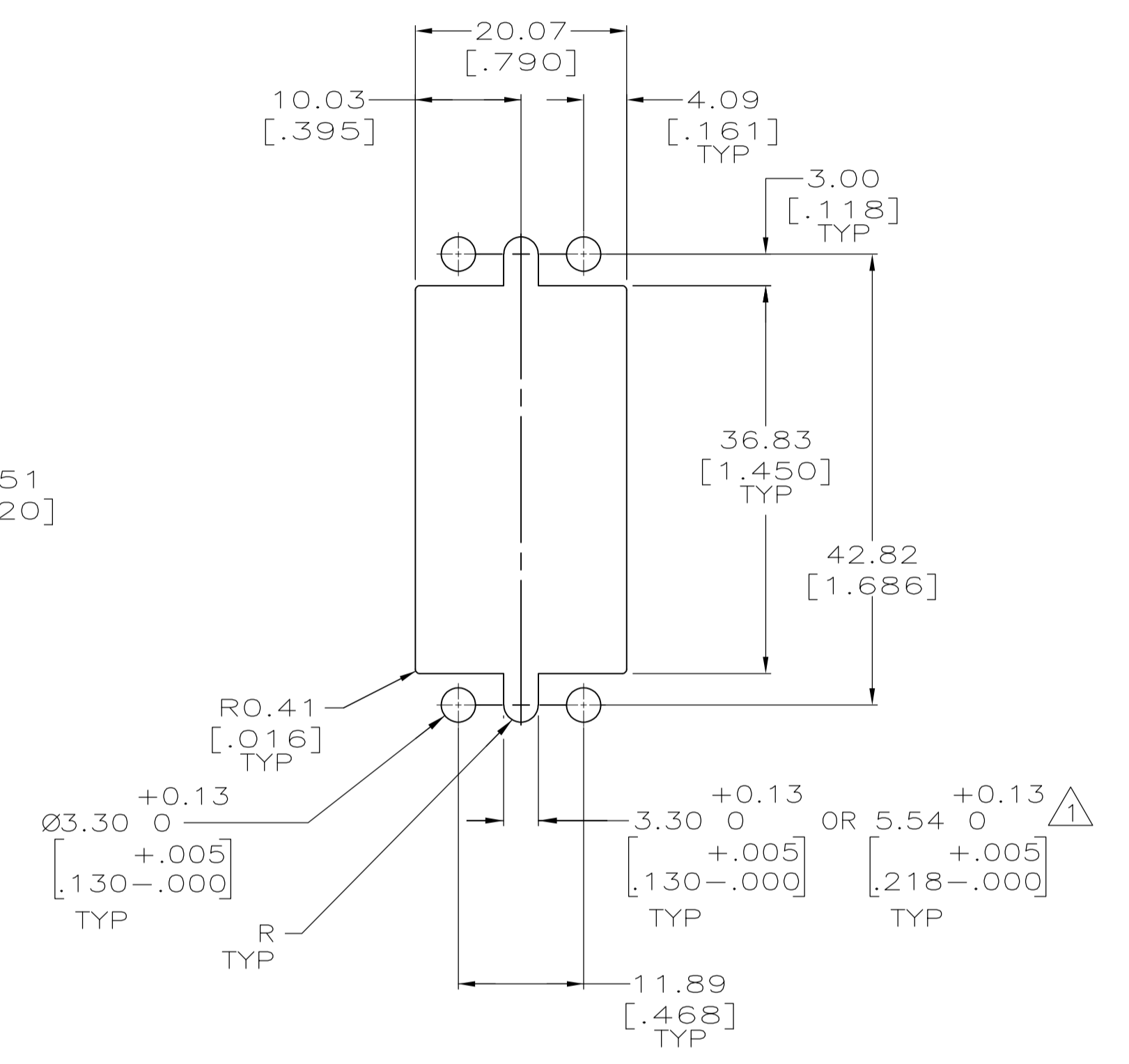
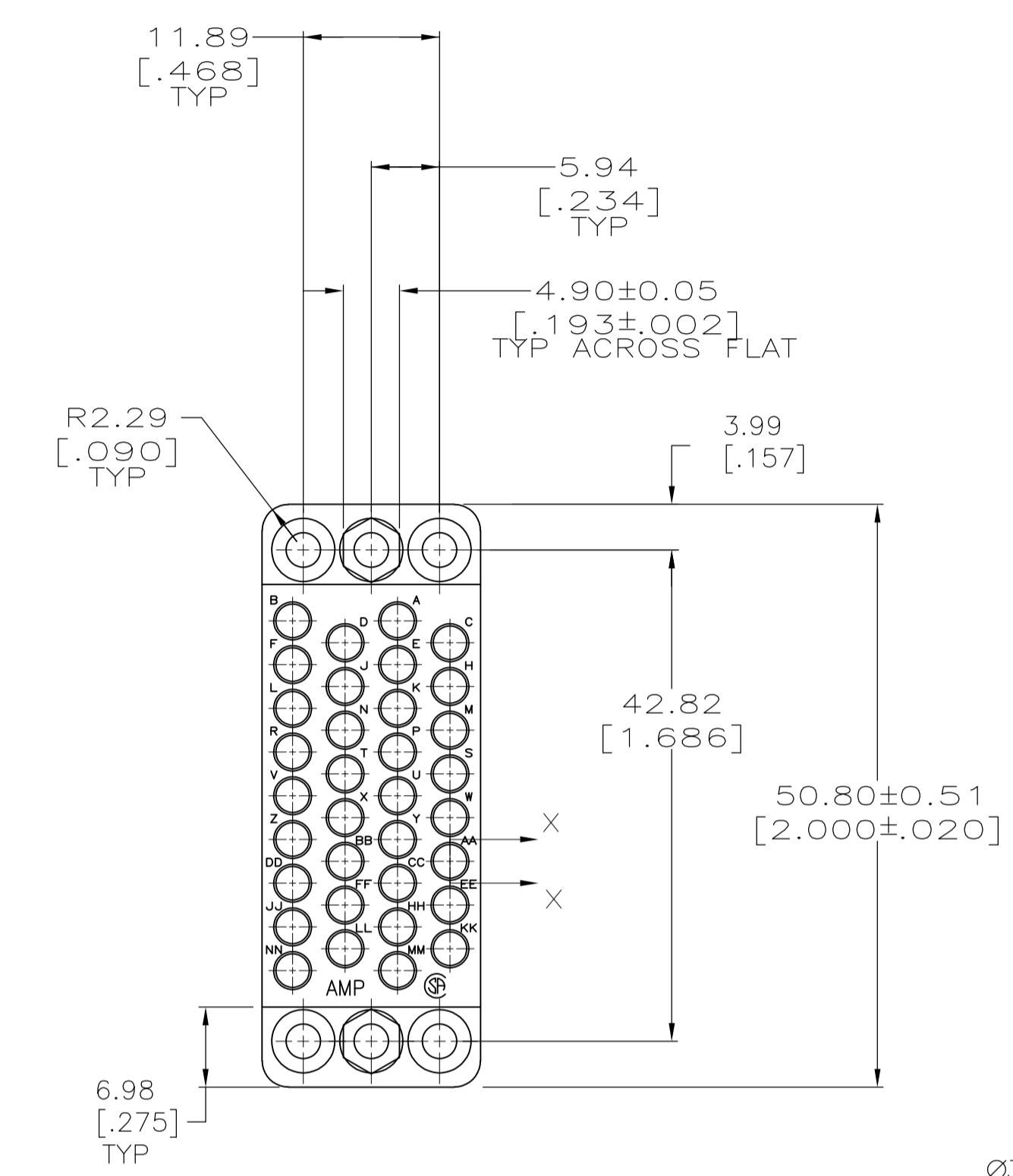
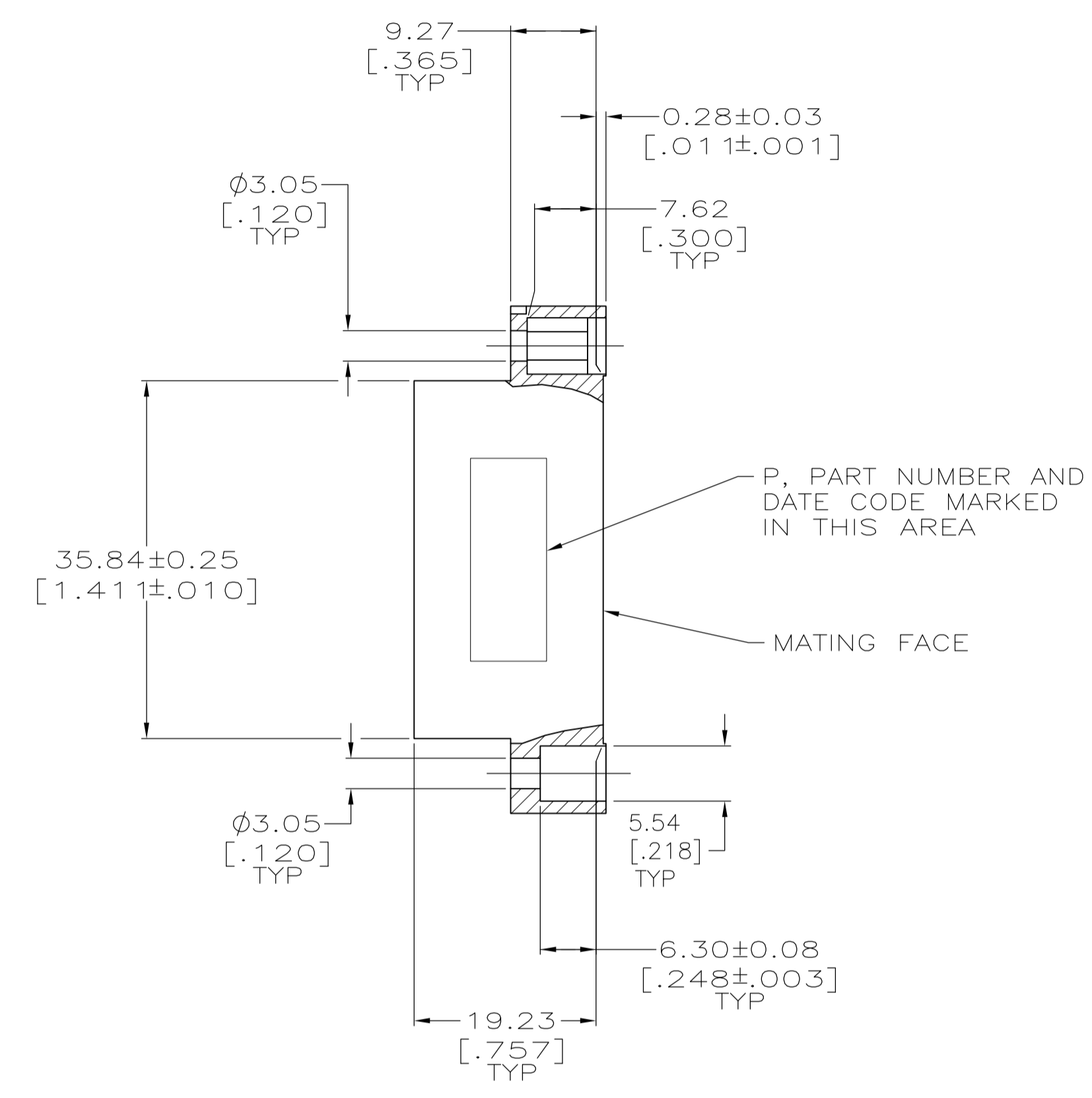
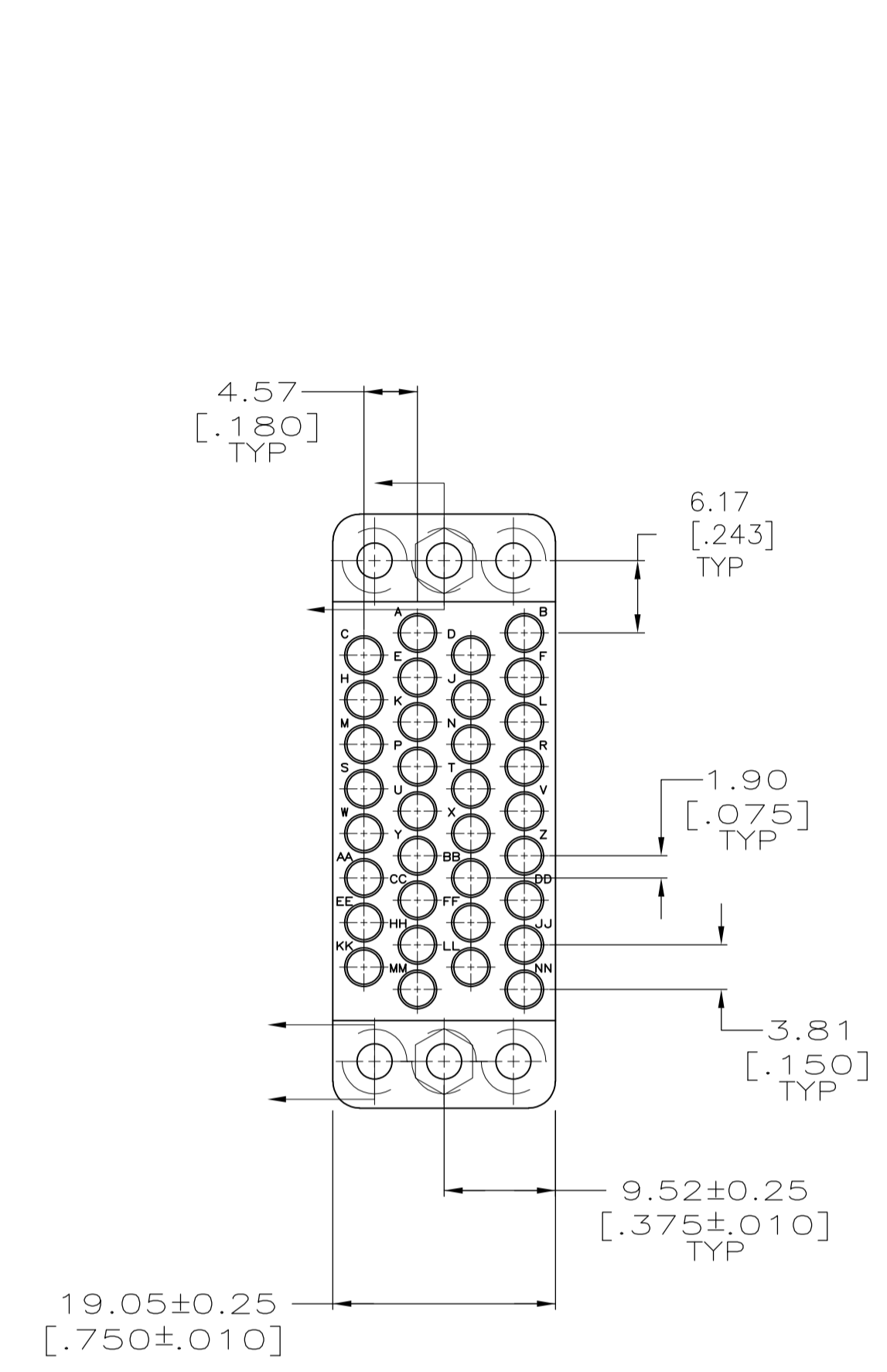


| LOC |     | DIST                      |          | REVISIONS |      |  |  |
|-----|-----|---------------------------|----------|-----------|------|--|--|
| P   | LTR | DESCRIPTION               | DATE     | DN        | APVD |  |  |
| Z   |     | REVISED PER ECO-07-029096 | 12/11/07 | SS        | GS   |  |  |



⚠ 5.54[.218] IS REQUIRED WHEN JACKSCREWS ARE USED.  
 2. MATES WITH BLOCK 200838 AND ACCOMMODATES TYPE II #20 CONTACTS.

200837-2  
 PART NUMBER

|   |             |                               |   |                    |
|---|-------------|-------------------------------|---|--------------------|
| THIS DRAWING IS A CONTROLLED DOCUMENT.  |             | DN<br>C. OBERMAN<br>14 OCT 97 | Tyco Electronics Corporation<br>Harrisburg, PA 17105-3608 |                    |
| DIMENSIONS:<br>mm [INCHES]  |             | CHK<br>R. STONE<br>15 OCT 97  | NAME<br>G. STEINHÄUER<br>09 JAN 98                        |                    |
| TOLERANCES UNLESS OTHERWISE SPECIFIED:  |             | PRODUCT SPEC                  |   |                    |
| 0 PLC ± -<br>1 PLC ± -<br>2 PLC ± 0.13 [.005]<br>3 PLC ± -<br>4 PLC ± -<br>ANGLES ± - |             | APPLICATION SPEC              |   |                    |
| MATERIAL<br>PHENOLIC, BLACK   | FINISH<br>- | WEIGHT<br>-                   | SIZE<br>A1  | RESTRICTED TO<br>- |
| CUSTOMER DRAWING  |             | SCALE<br>2:1                  | SHEET<br>1 of 1   | REV<br>Z           |

# Mouser Electronics

Authorized Distributor

Click to View Pricing, Inventory, Delivery & Lifecycle Information:

[TE Connectivity:](#)

[200837-2](#)