

4

3

2

1

THIS DRAWING IS UNPUBLISHED.

RELEASED FOR PUBLICATION

20

LOC

DIST

REVISIONS

© COPYRIGHT 20 BY TYCO ELECTRONICS CORPORATION. ALL RIGHTS RESERVED.

DS

-

P

LTR

DESCRIPTION

DATE

DWN

APVD

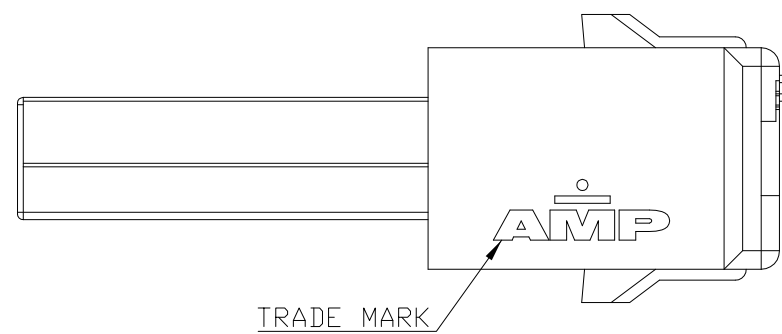
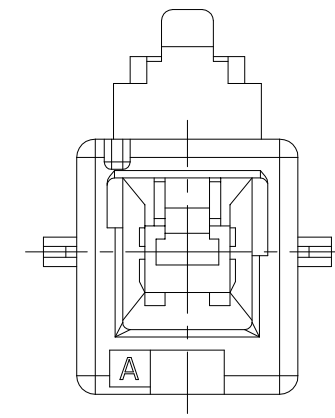
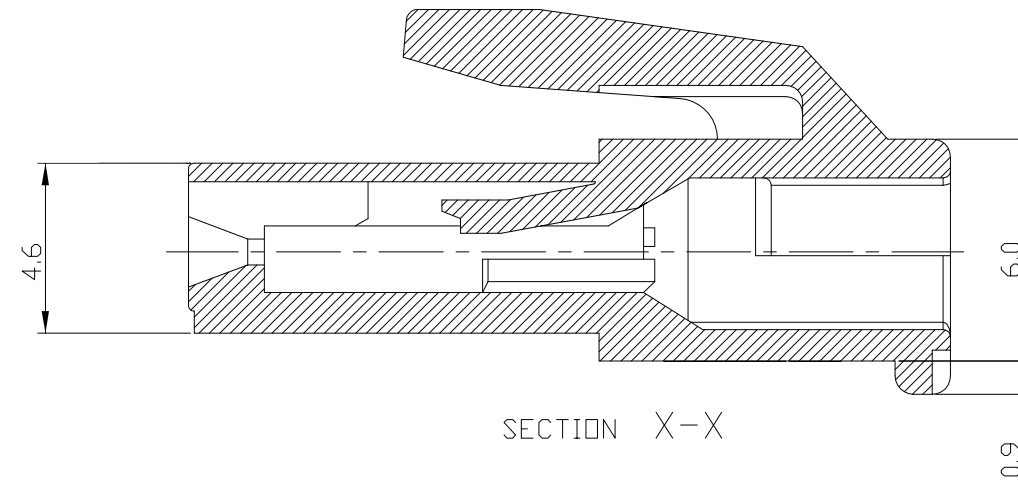
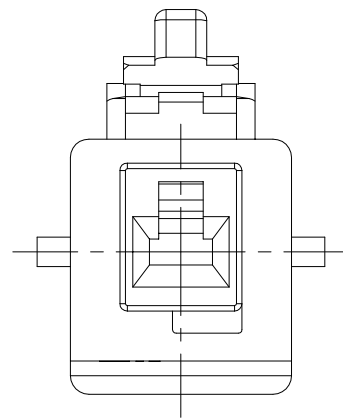
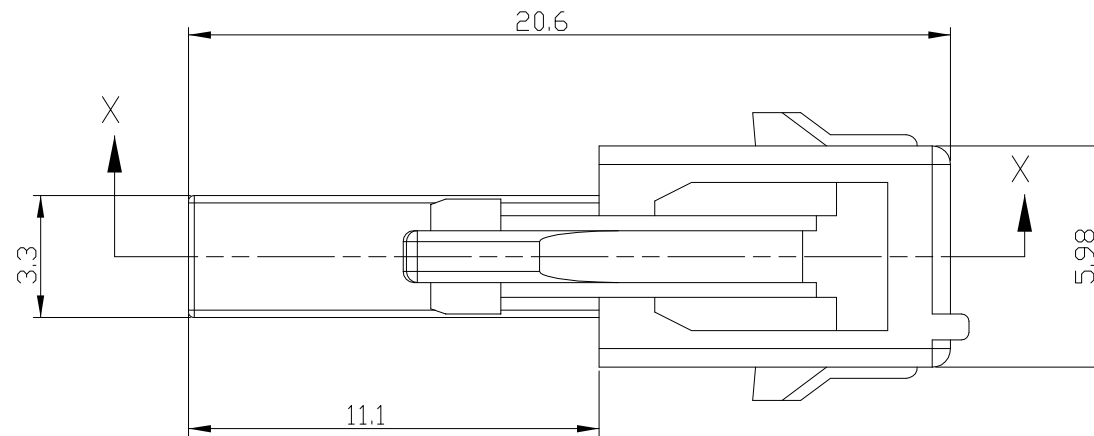
B

REVISED PER ECR-19-009721

10JUL'19

M.G

D.Z



NOTE:
 1. THIS HOUSING ACCEPTS RECEPTACLE TERMINAL:
 - REC CONTACT: 177915- □ (AWG#16-#20)
 : 177914- □ (AWG#22-#26)
 2. MATING CONN. P/N
 - TAB CONTACT: 177917- □ (AWG#16-#20)
 : 177916- □ (AWG#22-#26)
 3. APPLICABLE DOUBLE LOCK PLATE: 316770-1
 *IT SHOULD BE USED CERTAINLY WHEN CABLE ASS'Y
 4. GENERAL TOLERANCES: ±0.3
 MATERIAL: PA66, UL 94V-0,
 COMPLY WITH GLOW WIRE REQUIREMENT FOR PARTS
 OF NON-METALLIC MATERIALS SUPPORTING CURRENT-CARRYING
 CONNECTION DETAILED IN IEC 60335-1, SECTION 30 (GWT)

2005246-9	BLACK
2005246-6	BLUE
2005246-4	YELLOW
2005246-2	RED
2005246-1	NATURAL
P/N	COLOR

THIS DRAWING IS A CONTROLLED DOCUMENT FOR TYCO ELECTRONICS CORPORATION
 IT IS SUBJECT TO CHANGE AND THE CONTROLLING ENGINEERING ORGANIZATION
 SHOULD BE CONTACTED FOR THE LATEST REVISION.

DIMENSIONS: mm		TOLERANCES UNLESS OTHERWISE SPECIFIED:	
		0 PLC	±
		1 PLC	±0.1
		2 PLC	±0.01
		3 PLC	±0.001
		4 PLC	±0.0001
MATERIAL		FINISH	
		-	

DWN SC KIM		AMP KOREA Kyungsan, Korea	
CHK BW KANG		NAME	
APVD JK SONG		PDL 1P PLUG HSG (GWT)	
PRODUCT SPEC 108-5410		SIZE	CAGE CODE
APPLICATION SPEC 114-5175		DRAWING NO	RESTRICTED TO
WEIGHT		A300779	2005246
CUSTOMER DRAWING		SCALE	SHEET
		5:1	1 OF 1
			REV B

Mouser Electronics

Authorized Distributor

Click to View Pricing, Inventory, Delivery & Lifecycle Information:

[TE Connectivity:](#)

[3-177899-6](#)