

THIS DRAWING IS UNPUBLISHED.

RELEASED FOR PUBLICATION

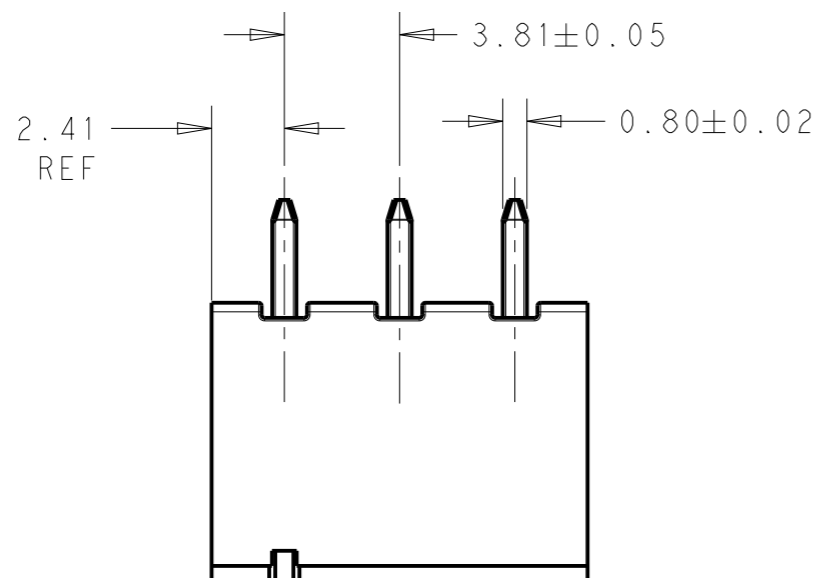
20

© COPYRIGHT 20 BY -

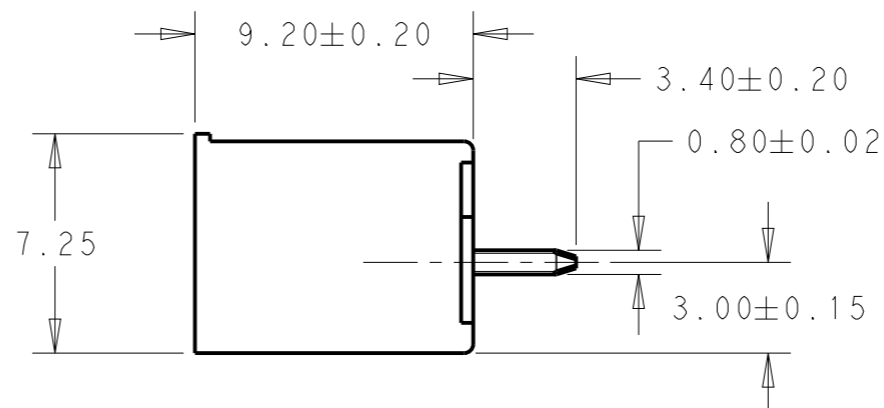
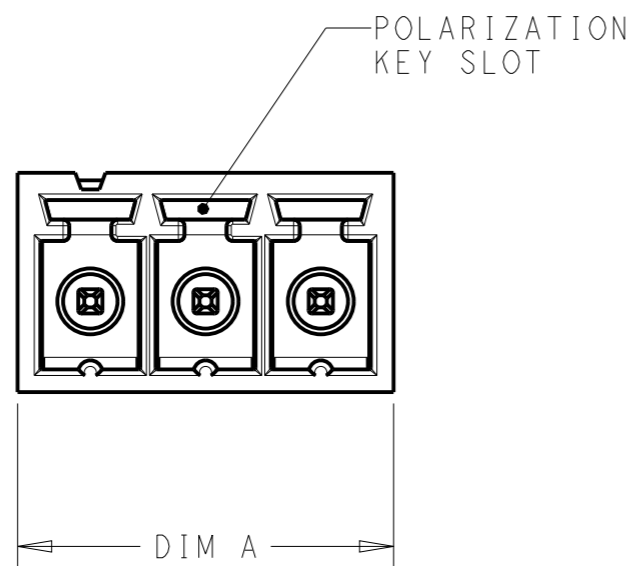
ALL RIGHTS RESERVED.

REVISIONS

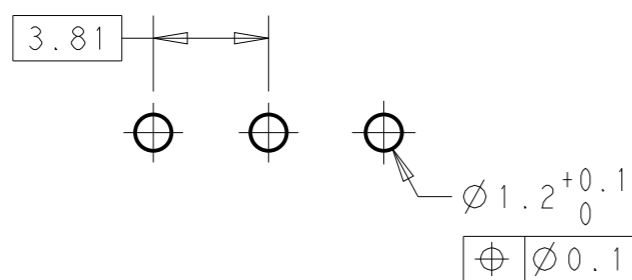
P	LTR	DESCRIPTION	DATE	DWN	APVD
	A	REVISED PER ECO-14-009591	07OCT2014	NK	MM



- 1 MATERIALS AND FINISH:
HOUSING: HIGH TEMPERATURE POLYAMIDE, UL94V-0,
COLOR: BLACK.
TERMINAL: PHOSPHOR BRONZE, TIN PLATED.
- 2 SUITABLE FOR 1.6-2.4mm PC BOARD THICKNESS.
- 3 UL RATING: 300V, 11A



46.73	12	1-1776131-2
42.92	11	1-1776131-1
39.11	10	1-1776131-0
35.30	9	1776131-9
31.49	8	1776131-8
27.68	7	1776131-7
23.87	6	1776131-6
20.06	5	1776131-5
16.25	4	1776131-4
12.44	3	1776131-3
8.63	2	1776131-2
DIM A	NO OF POS.	PART NUMBER

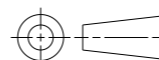


RECOMMENDED PC BOARD LAYOUT

THIS DRAWING IS A CONTROLLED DOCUMENT.

DIMENSIONS:
mm

TOLERANCES UNLESS OTHERWISE SPECIFIED:



0 PLC	±-
1 PLC	±0.3
2 PLC	±0.25
3 PLC	±-
4 PLC	±-
ANGLES	±2°

MATERIAL



FINISH

DWN 06JAN2010

S. SCHLEGEL

CHK 06JAN2010

C RICHARD

APVD 06JAN2010

C RICHARD

PRODUCT SPEC

-

APPLICATION SPEC

-

WEIGHT

-

CUSTOMER DRAWING

NAME
TERMINAL BLOCK HEADER ASSEMBLY,
STRAIGHT, CLOSED ENDS, 3.81mm PITCH

SIZE CAGE CODE DRAWING NO RESTRICTED TO

A300779 C=1776131

SCALE 4:1 SHEET 1 OF 1 REV A



Mouser Electronics

Authorized Distributor

Click to View Pricing, Inventory, Delivery & Lifecycle Information:

[TE Connectivity:](#)

[1-1776131-2](#)