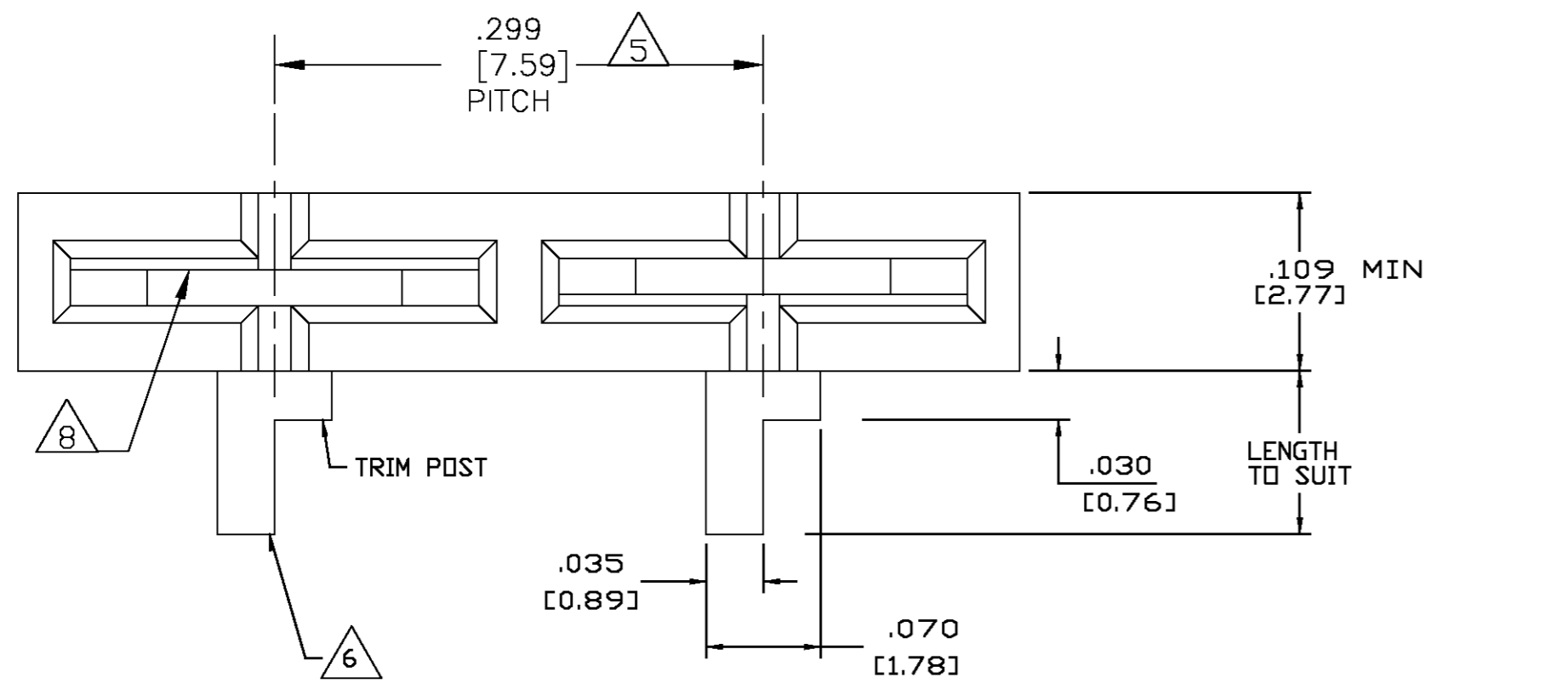
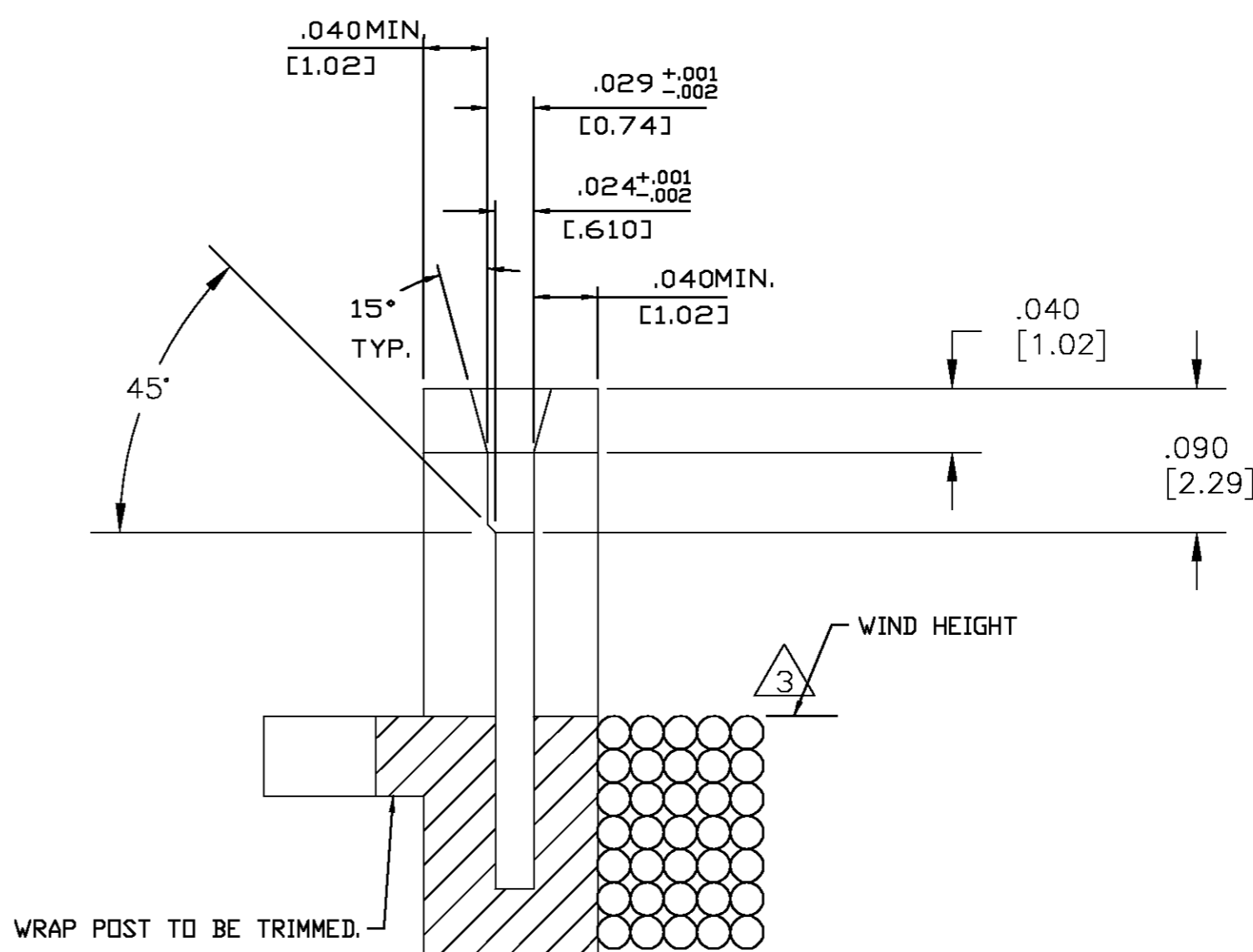
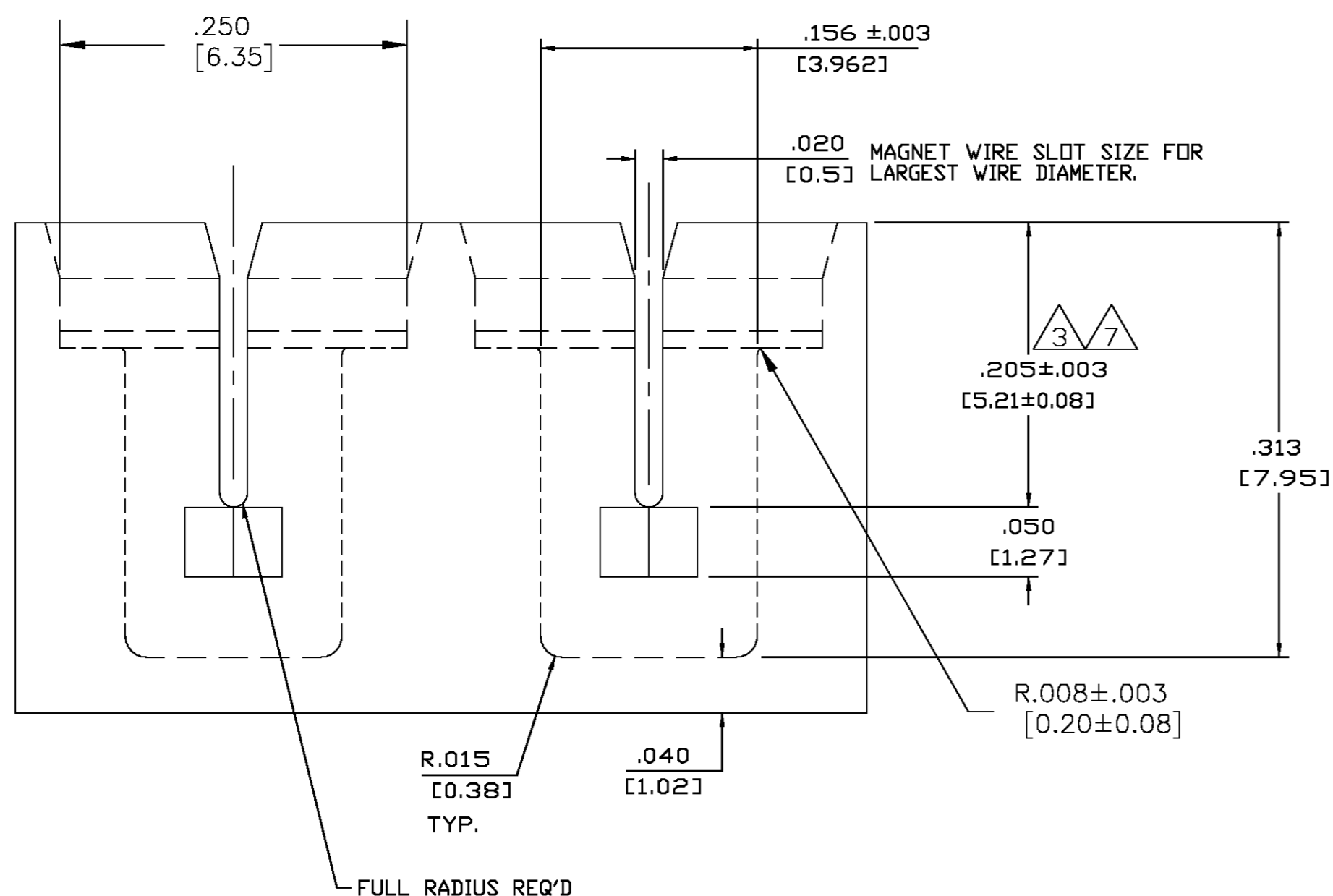


THIS DRAWING IS UNPUBLISHED. RELEASED FOR PUBLICATION
 © COPYRIGHT BY TYCO ELECTRONICS CORPORATION. ALL RIGHTS RESERVED.

LOC	DIST	REVISIONS					
AF	50	P	LTR	DESCRIPTION	DATE	DWN	APVD
		B		REV PER OG63-0077-03	27MAY03	MF	GJ



- DIMENSIONS SPECIFIED MAY VARY PER CUSTOMER APPLICATION, DO NOT TOOL WITHOUT TYCO ELECTRONICS REVIEW AND APPROVAL.
- TYCO ELECTRONICS REQUIRES THE FOLLOWING INFORMATION IN ORDER TO APPROVE THE CUSTOMERS APPLICATION DRAWING: MAGNET WIRE RANGE AND TYPE.
- MAGNET WIRE COIL MUST NOT EXCEED HEIGHT OF MAGNET WIRE SLOT AS SHOWN.
- MATERIAL RECOMMENDED: NYLON 6/6 30% GF, OTHER MATERIALS ARE ACCEPTABLE HOWEVER, CONSULT TYCO ELECTRONICS FOR SPECIFICATIONS.
- PITCH SHOWN IS APPLICATION SPECIFIC.
- WRAP POST REQUIRED FOR WIRE SIZES #30 AWG AND SMALLER. SEE SPEC DRAWING: 1601447.
- WIRE SLOT DEPTH SHOWN IS FOR #24 AWG [0.5mm] MAGNET WIRE. CONSULT TYCO ELECTRONICS FOR OTHER SIZES.
- POCKETS (CAVITIES) ARE SHOWN 180° FROM EACH OTHER TO ALLOW ONE TERMINAL TO SERVE AS BOTH LEFT AND RIGHT.



THIS DRAWING IS A CONTROLLED DOCUMENT.		DWN	05NOV2002	 Tyco Electronics Corporation Harrisburg, PA 17105-3608
DIMENSIONS: INCHES		CHK	05NOV2002	
TOLERANCES UNLESS OTHERWISE SPECIFIED:		NAME GENE JACONO PRODUCT SPEC APPLICATION SPEC 408-8629		
0 PLC ± - 1 PLC ± - 2 PLC ± .01[0.25] 3 PLC ± .005[0.13] 4 PLC ± - ANGLES ± 2° FINISH -		SIZE A2 CAGE CODE 00779 DRAWING NO C=1601474		
MATERIAL	4	WEIGHT		RESTRICTED TO
CUSTOMER DRAWING		SCALE 10:1		SHEET 1 OF 1
		REV B		

1601474

Mouser Electronics

Authorized Distributor

Click to View Pricing, Inventory, Delivery & Lifecycle Information:

[TE Connectivity:](#)

[1601193-2](#)