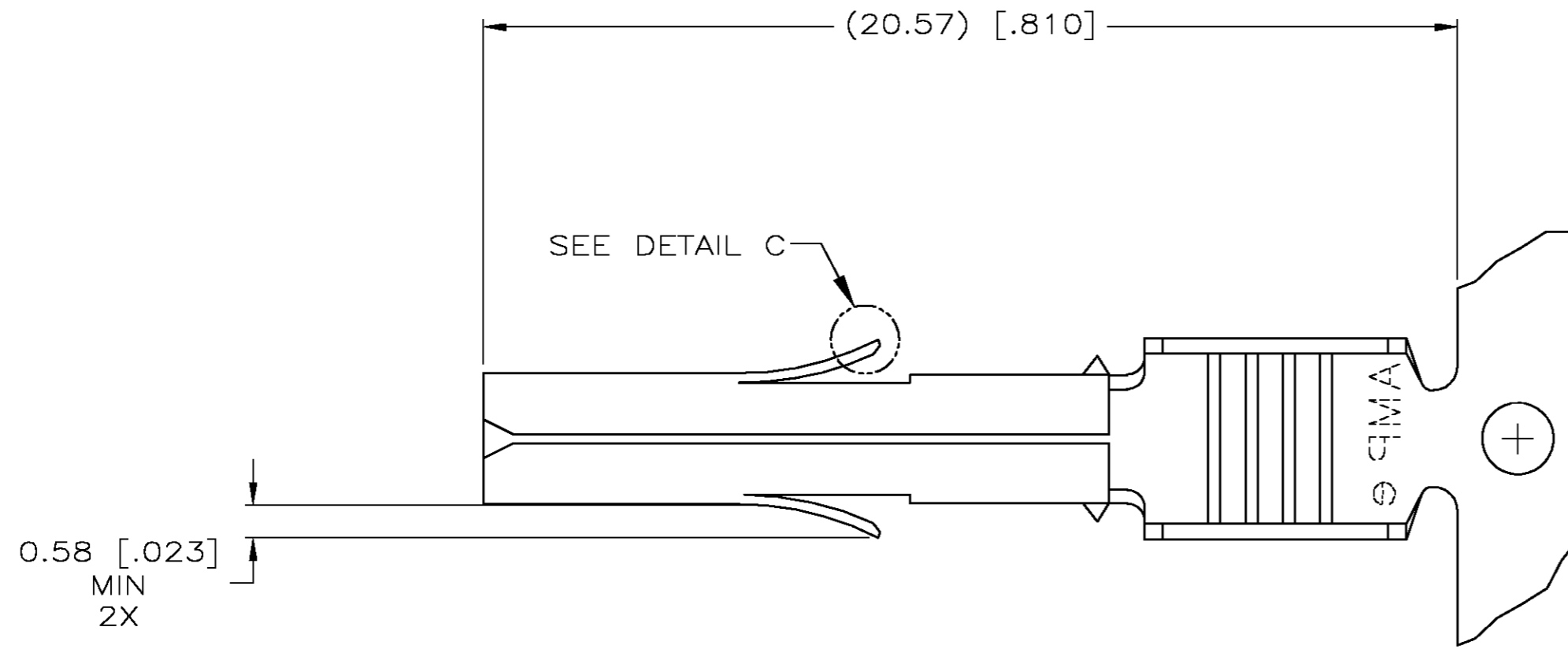
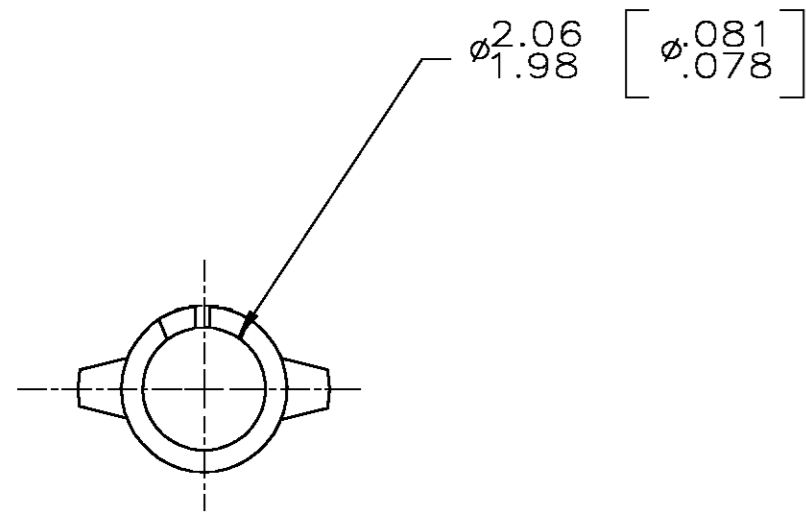
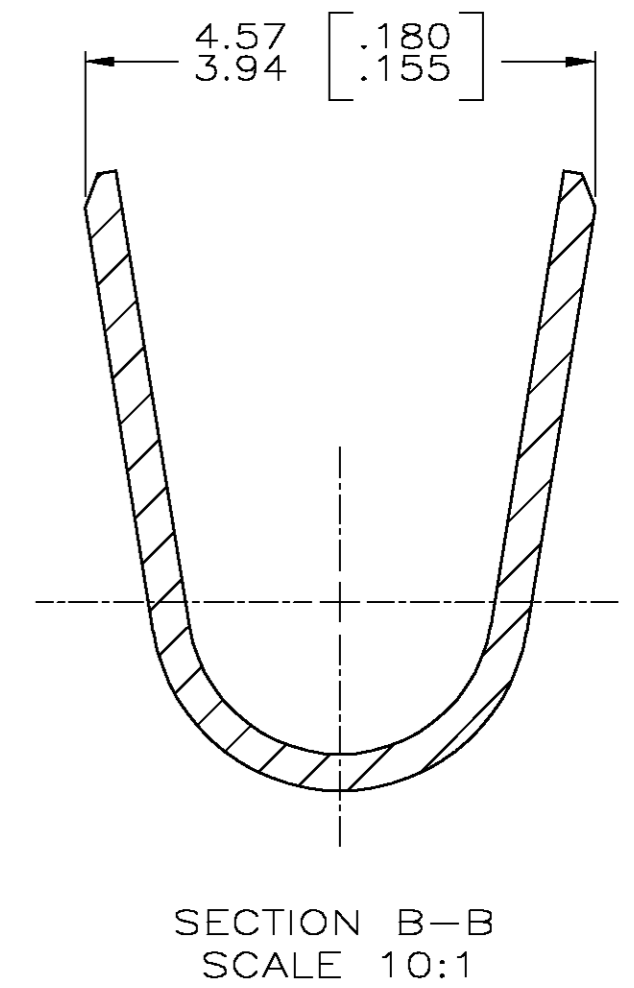
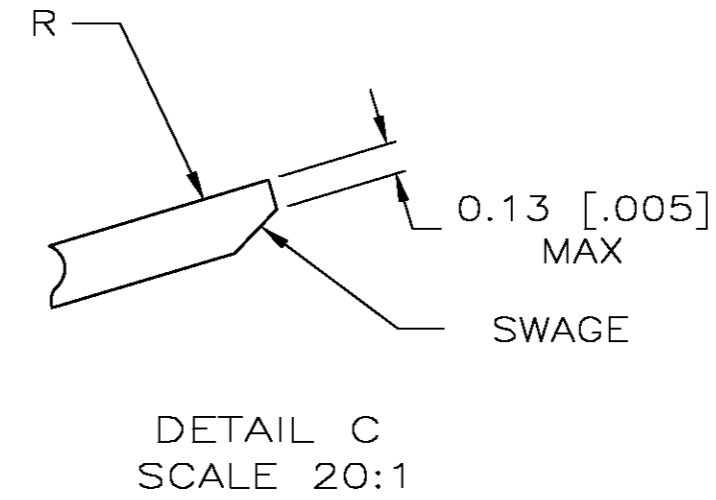
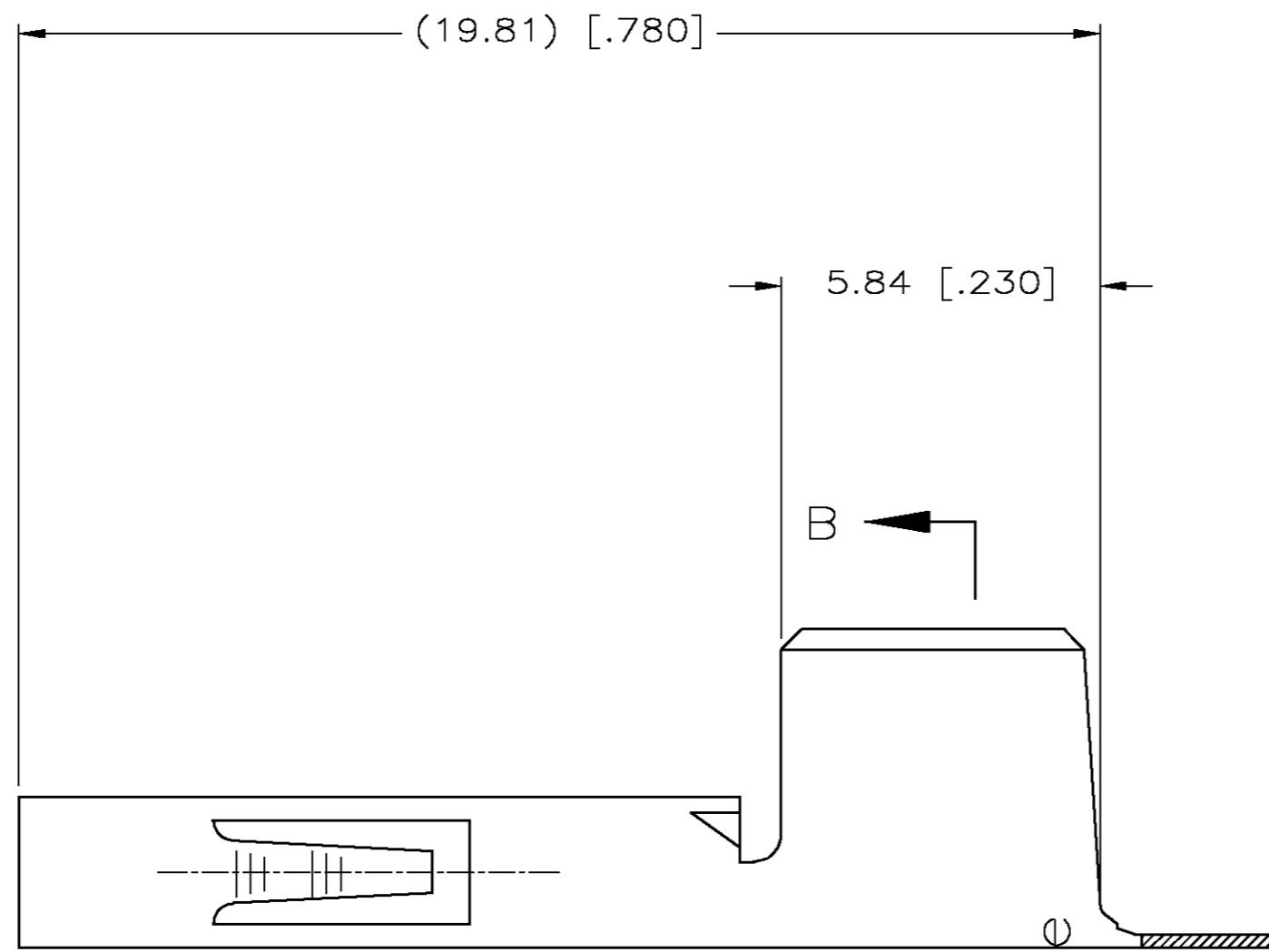


THIS DRAWING IS UNPUBLISHED. RELEASED FOR PUBLICATION
 © COPYRIGHT BY TYCO ELECTRONICS CORPORATION. ALL RIGHTS RESERVED.

LOC		DIST		REVISIONS			
P	LTR	DESCRIPTION	DATE	DWN	APVD		
CM	00	B	REVISD PER EC 0G3B-0729-03	19-FEB-04	SH	SR	



1. DIMENSIONS IN BRACKETS ARE IN INCHES.
2. WIRE RANGE 12-10 AWG.
3. INSULATION RANGE 5.08 [.200] DIAMETER MAX, LIMITED BY THE CONNECTOR HOUSING CAVITY.



1586065-1
PART NUMBER

METRIC

THIS DRAWING IS A CONTROLLED DOCUMENT.		DWN S. HOOVER 19-FEB-2004	Tyco Electronics Corporation Harrisburg, Pa 17105-3608	
DIMENSIONS: mm [INCHES]		CHK S. RIDGILL 19-FEB-2004	NAME SOCKET, ENHANCED CURRENT UNIVERSAL MATE-N-LOK™	
TOLERANCES UNLESS OTHERWISE SPECIFIED:		APVD S. RIDGILL 19-FEB-2004	PRODUCT SPEC	
0 PLC ±		APPLICATION SPEC		
1 PLC ±		WEIGHT		
2 PLC ± 0.13 [.005]		SIZE CAGE CODE DRAWING NO		
3 PLC ±		A2 00779 C=1586065		
4 PLC ±		RESTRICTED TO		
ANGLES ±		CUSTOMER DRAWING		
FINISH PRE-TIN		SCALE 8:1 SHEET 1 OF 1 REV B		
MATERIAL 0.30 [.012] COPPER ALLOY				

Mouser Electronics

Authorized Distributor

Click to View Pricing, Inventory, Delivery & Lifecycle Information:

[TE Connectivity:](#)

[1586065-1](#)