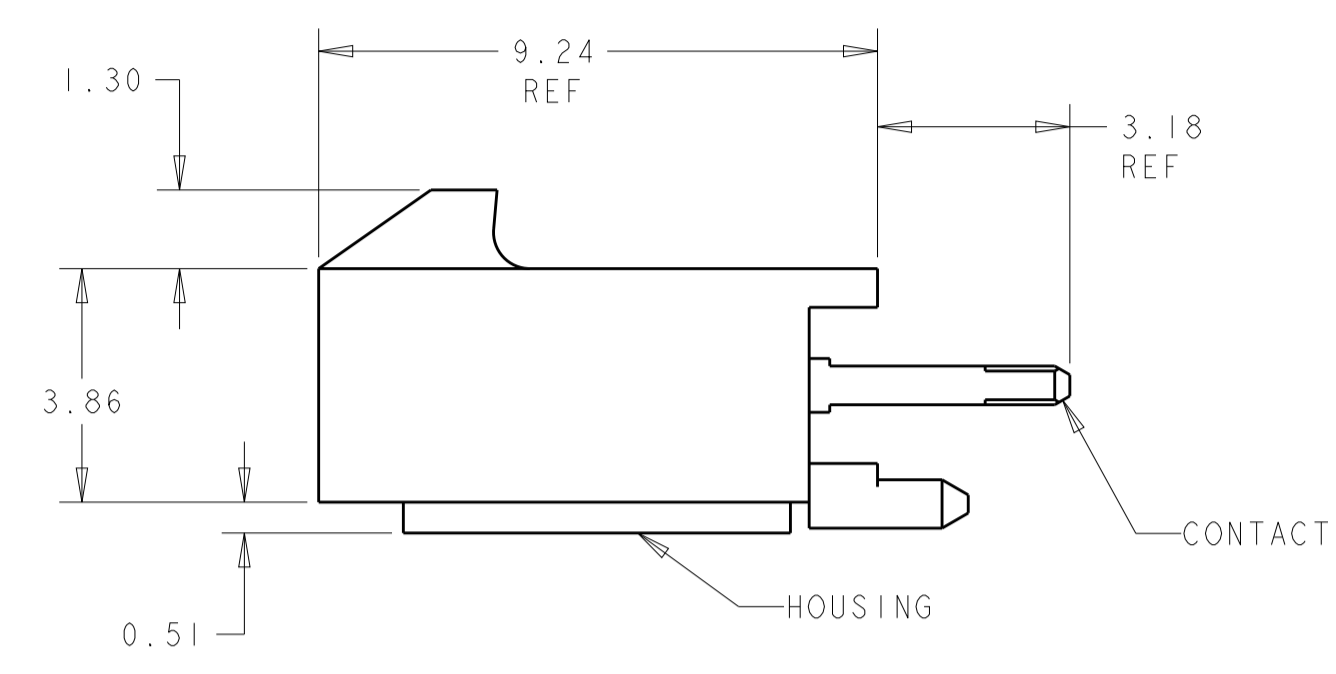
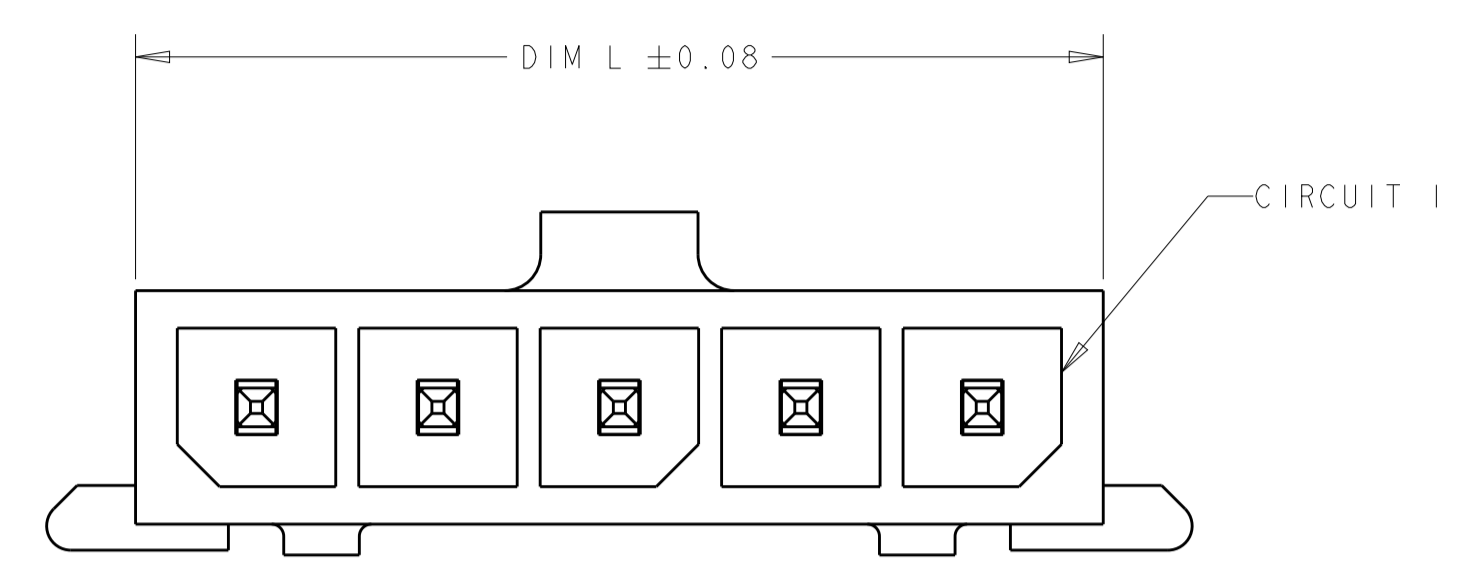
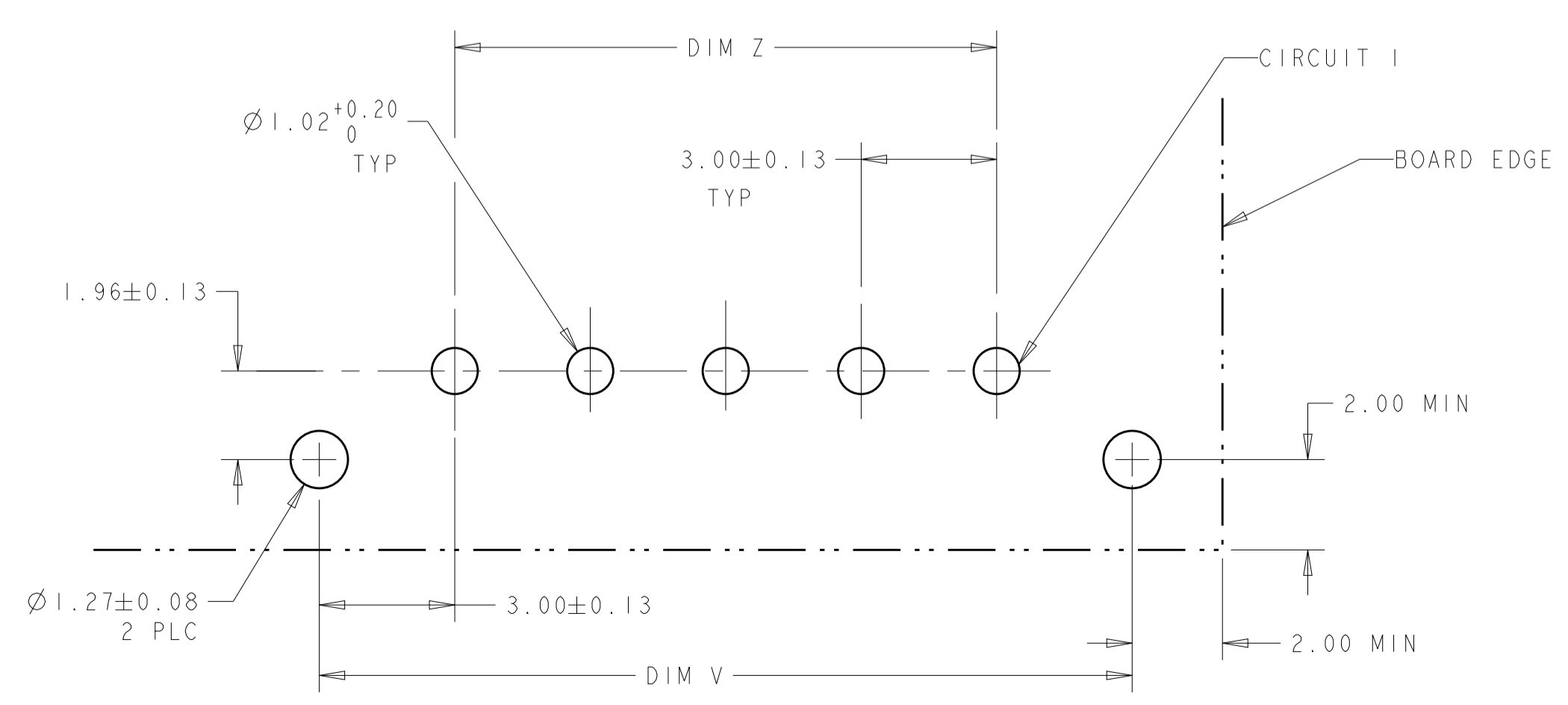
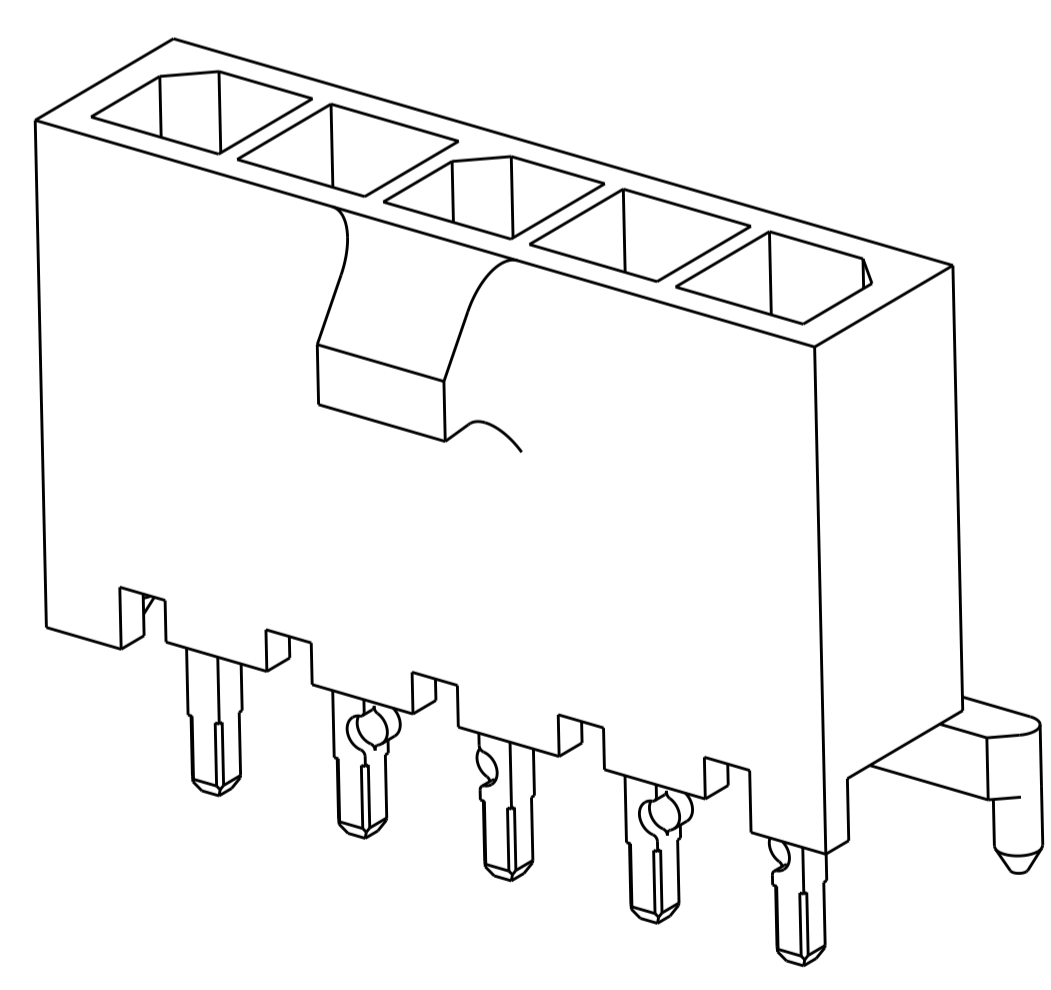
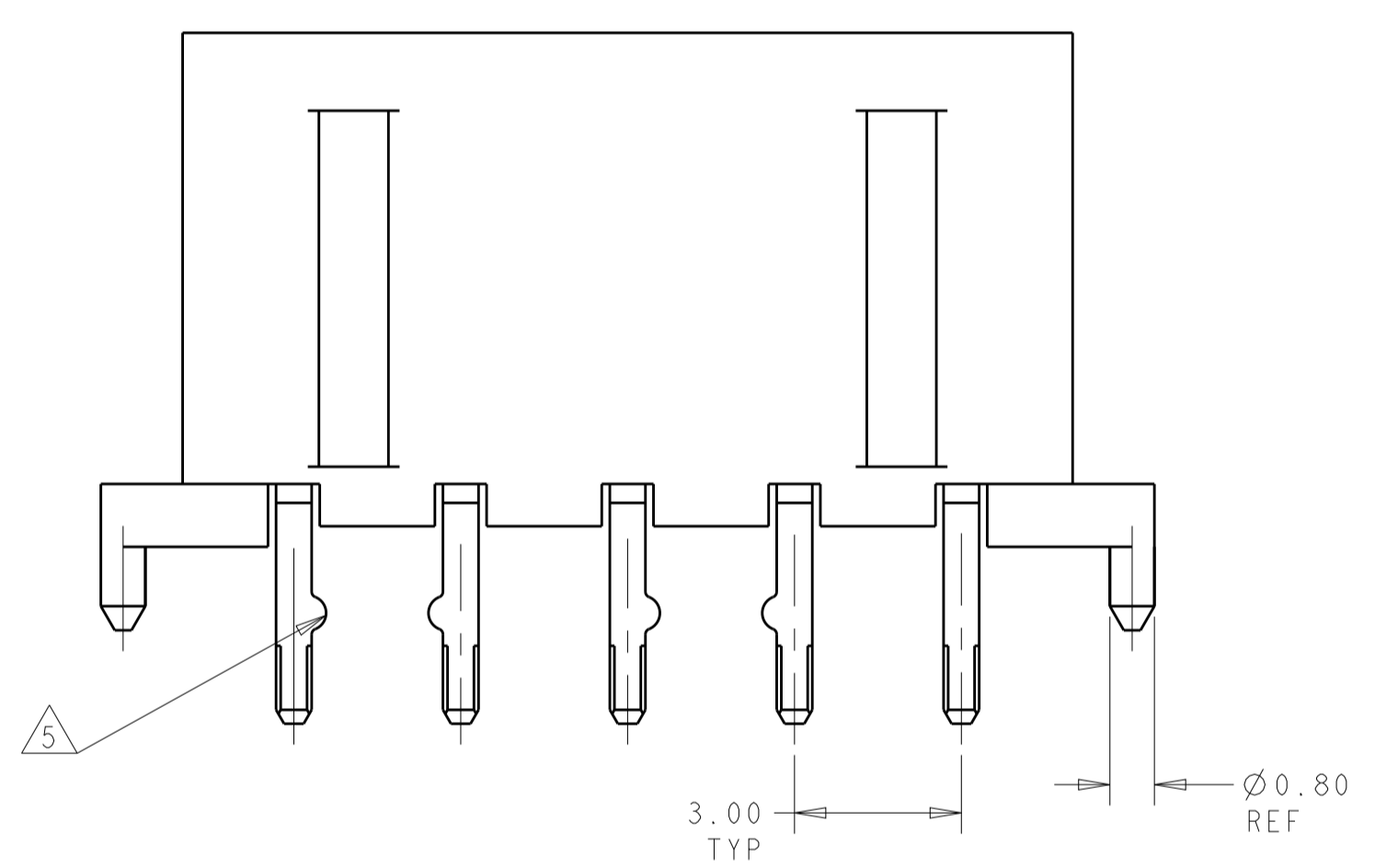


REVISIONS				
P.	LTN	DESCRIPTION	DATE	APP'D
B2		REVISED PER ECR-16-011494	20JUN2017	NK CX
B3		REVISED PER ECR-16-017083	29DEC2017	C.X D.Z
B4		ECO-19-006934	13MAY2019	AP WS



- 1 MATERIAL: CONTACTS - BRASS
HOUSING - UL 94V-0 RATED HIGH TEMP NYLON, COLOR BLACK.
- 2 PLATING: CONTACTS - 0.76µm MINIMUM GOLD ON MATING END,
2.54µm MINIMUM TIN LEAD ON SOLDER TAILS, BOTH OVER
1.27µm MINIMUM NICKEL.
- 4 RECOMMENDED PC BOARD THICKNESS OF 1.57.
- 5 RETENTION BUMP FEATURES FACE EACH OTHER, TYPICAL
ALL CONFIGURATIONS.
- 6 PLATING: CONTACTS - 0.76µm MINIMUM GOLD ON MATING END,
2.54µm MINIMUM MATTE TIN ON SOLDER TAILS, BOTH OVER
1.27µm MINIMUM NICKEL.



PCB LAYOUT COMPONENT SIDE 4

FINISH	CON W/RET BUMP	POS	DIM Z	DIM V	DIM L	NO. OF POSN	PART NUMBER
6		12,11,2,1	33.00	39.14	37.00	12	3-1445093-2
6		11,10,3,2	30.00	36.14	34.00	11	3-1445093-1
6		10,9,2,1	27.00	33.14	31.00	10	3-1445093-0
6		9,8,3,2	24.00	30.14	28.00	9	2-1445093-9
6		8,7,2,1	21.00	27.14	25.00	8	2-1445093-8
6		7,6,3,2	18.00	24.14	22.00	7	2-1445093-7
6		6,5,2,1	15.00	21.14	19.00	6	2-1445093-6
6		5,4,3,2	12.00	18.14	16.00	5	2-1445093-5
6		4,3,2,1	9.00	15.14	13.00	4	2-1445093-4
6		3,2	6.00	12.14	10.00	3	2-1445093-3
6		2,1	3.00	9.14	7.00	2	2-1445093-2
2		12,11,2,1	33.00	39.14	37.00	12	1-1445093-2
2		11,10,3,2	30.00	36.14	34.00	11	1-1445093-1
2		10,9,2,1	27.00	33.14	31.00	10	1-1445093-0
2		9,8,3,2	24.00	30.14	28.00	9	1-1445093-9
2		8,7,2,1	21.00	27.14	25.00	8	1-1445093-8
2		7,6,3,2	18.00	24.14	22.00	7	1-1445093-7
2		6,5,2,1	15.00	21.14	19.00	6	1-1445093-6
2		5,4,3,2	12.00	18.14	16.00	5	1-1445093-5
2		4,3,2,1	9.00	15.14	13.00	4	1-1445093-4
2		3,2	6.00	12.14	10.00	3	1-1445093-3
2		2,1	3.00	9.14	7.00	2	1-1445093-2

SUPERSEDED BY 3-1445093-2
 SUPERSEDED BY 3-1445093-1
 SUPERSEDED BY 3-1445093-0
 SUPERSEDED BY 2-1445093-9
 SUPERSEDED BY 2-1445093-8
 SUPERSEDED BY 2-1445093-7
 SUPERSEDED BY 2-1445093-6
 SUPERSEDED BY 2-1445093-5
 SUPERSEDED BY 2-1445093-4
 SUPERSEDED BY 2-1445093-3
 SUPERSEDED BY 2-1445093-2

THIS DRAWING IS A CONTROLLED DOCUMENT. DWG NO. 100CT2000
 CHK'D BY K. WHITAKER 17-APR-2001
 AP'D BY C. JONES 17-APR-2001

DIMENSIONS: mm
 TOLERANCES UNLESS OTHERWISE SPECIFIED:
 0 PLC ±
 1 PLC ±0.20
 2 PLC ±
 3 PLC ±
 4 PLC ±
 ANGLES ±
 FINISH

MATERIAL: 1
 FINISH: 2, 6

PRODUCT SPEC: 108-1836
 APPLICATION SPEC: 114-13000
 WEIGHT: -
 CUSTOMER DRAWING

NAME: VERTICAL THRU HOLE HEADER ASSY, 0.76 MIC GOLD CONTACTS, W/PCB PLZN FEATURE, SGL ROW, MICRO MATE-N-LOK(TM)
 SIZE: 114-13000
 CAGE CODE: 1445093
 DRAWING NO: A100779
 SCALE: 8:1
 SHEET: 1 OF 1
 REV: B4

TE Connectivity

Mouser Electronics

Authorized Distributor

Click to View Pricing, Inventory, Delivery & Lifecycle Information:

[TE Connectivity:](#)

[1-1445093-2](#)