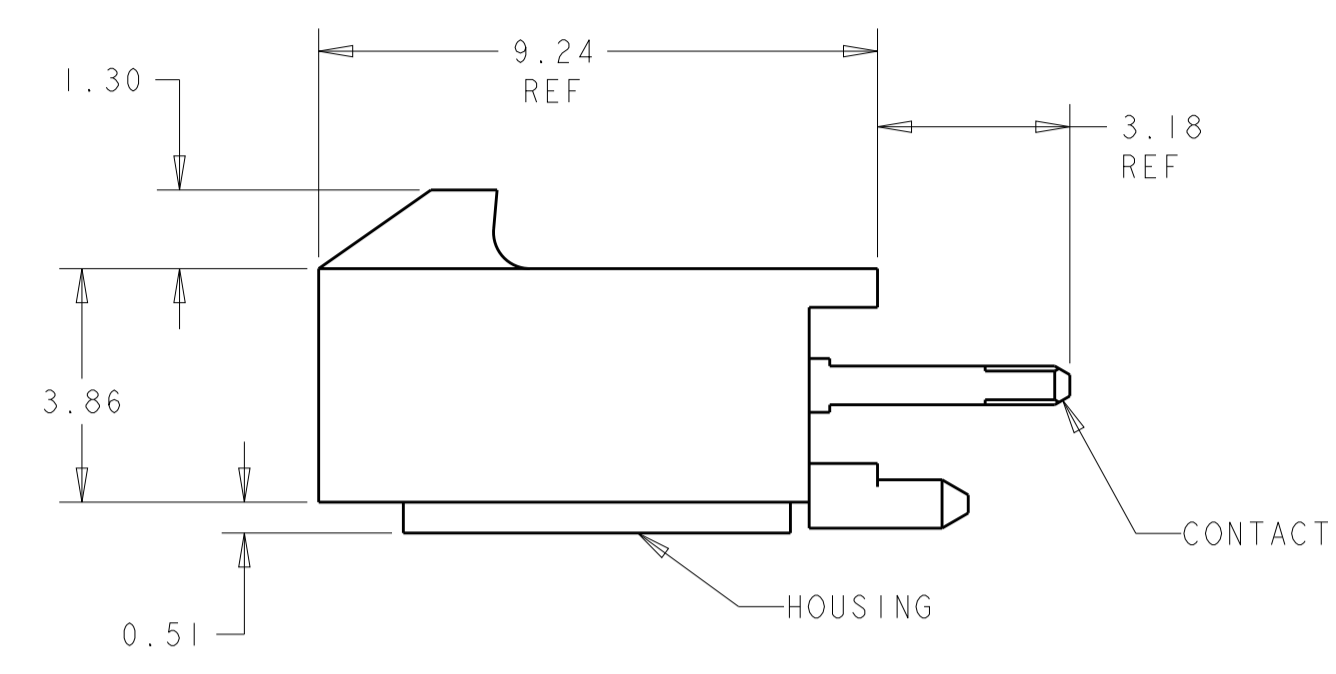
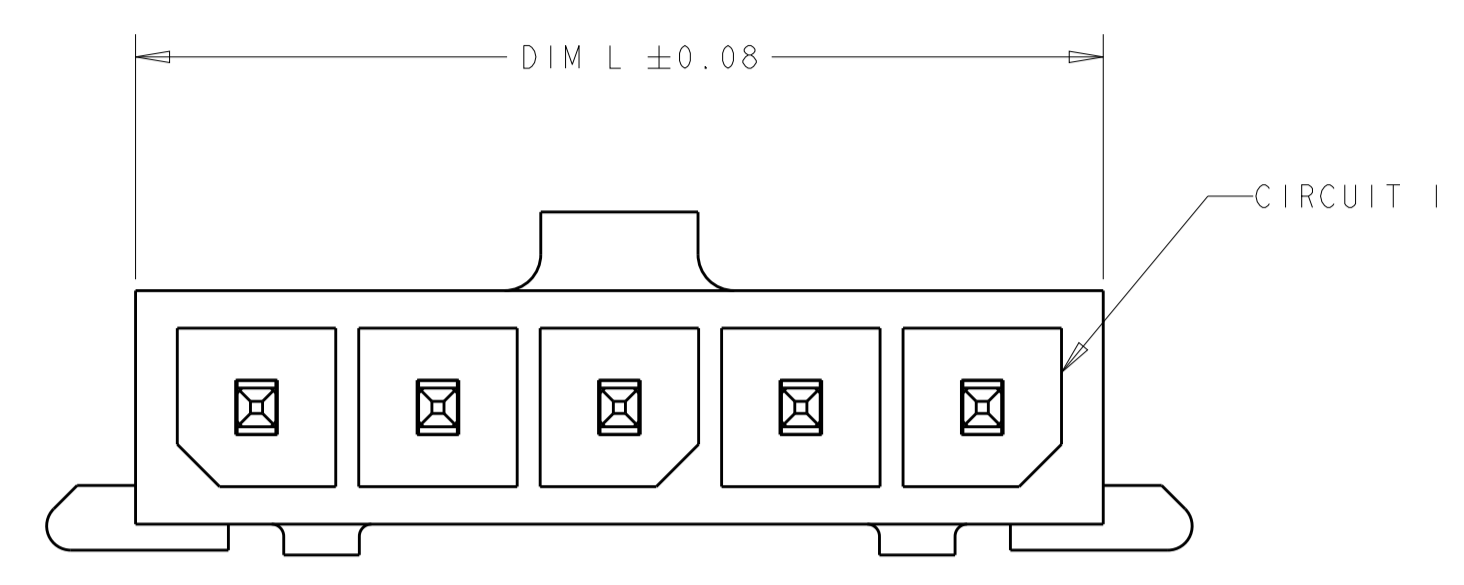
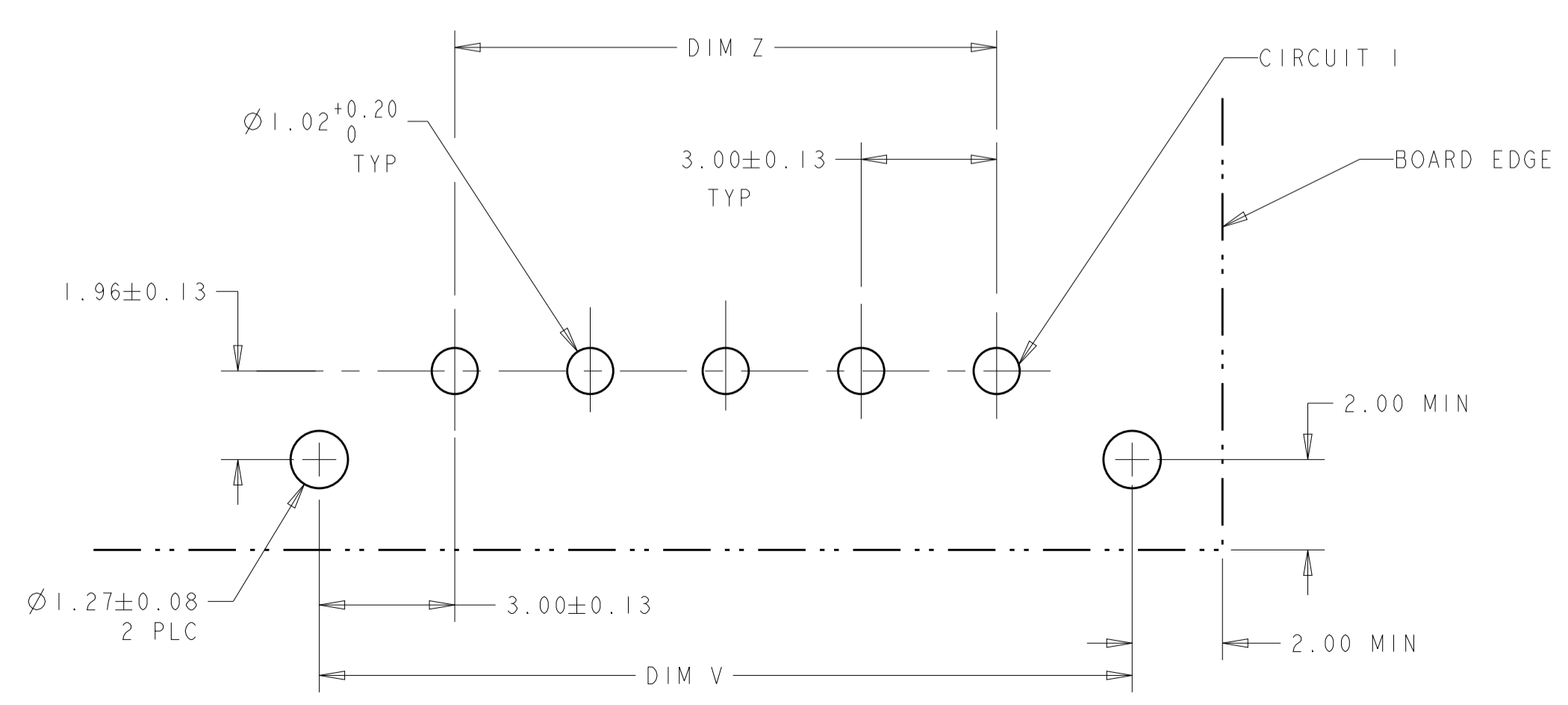
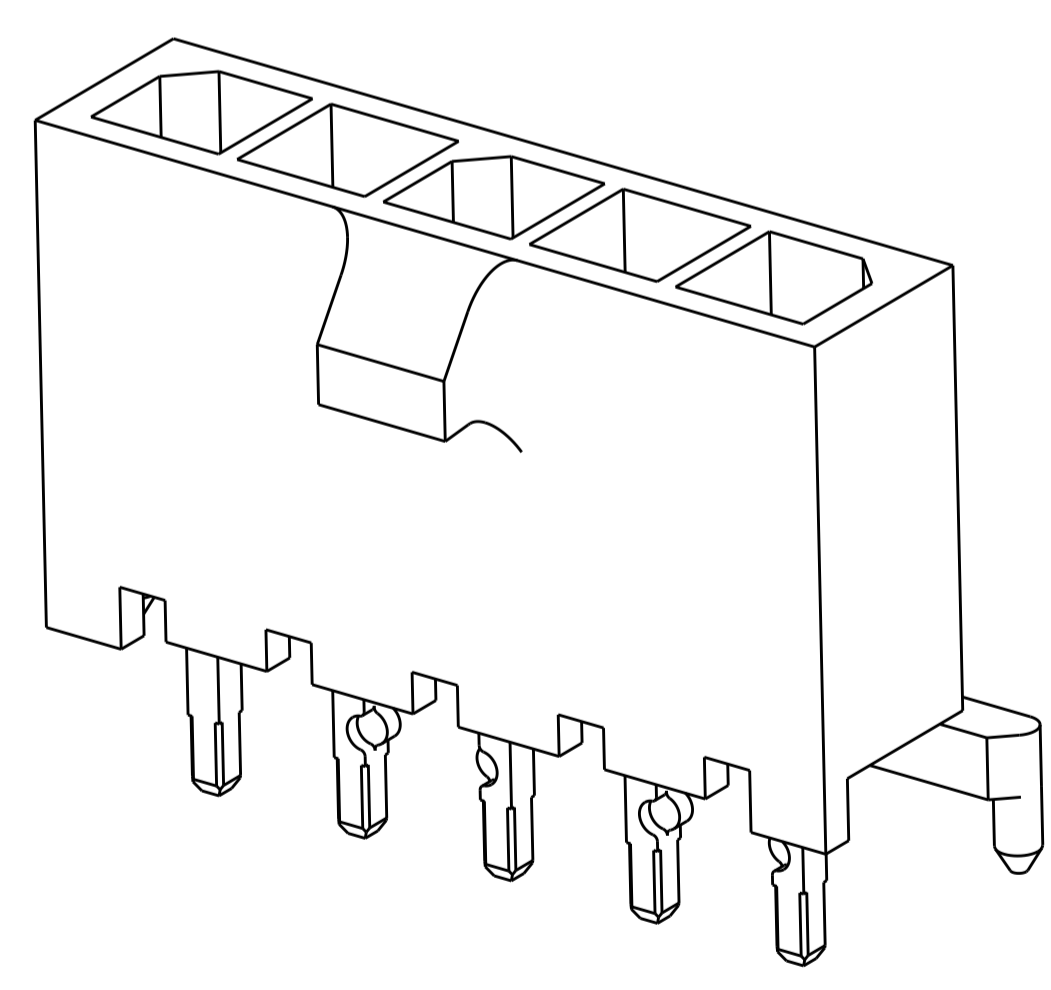
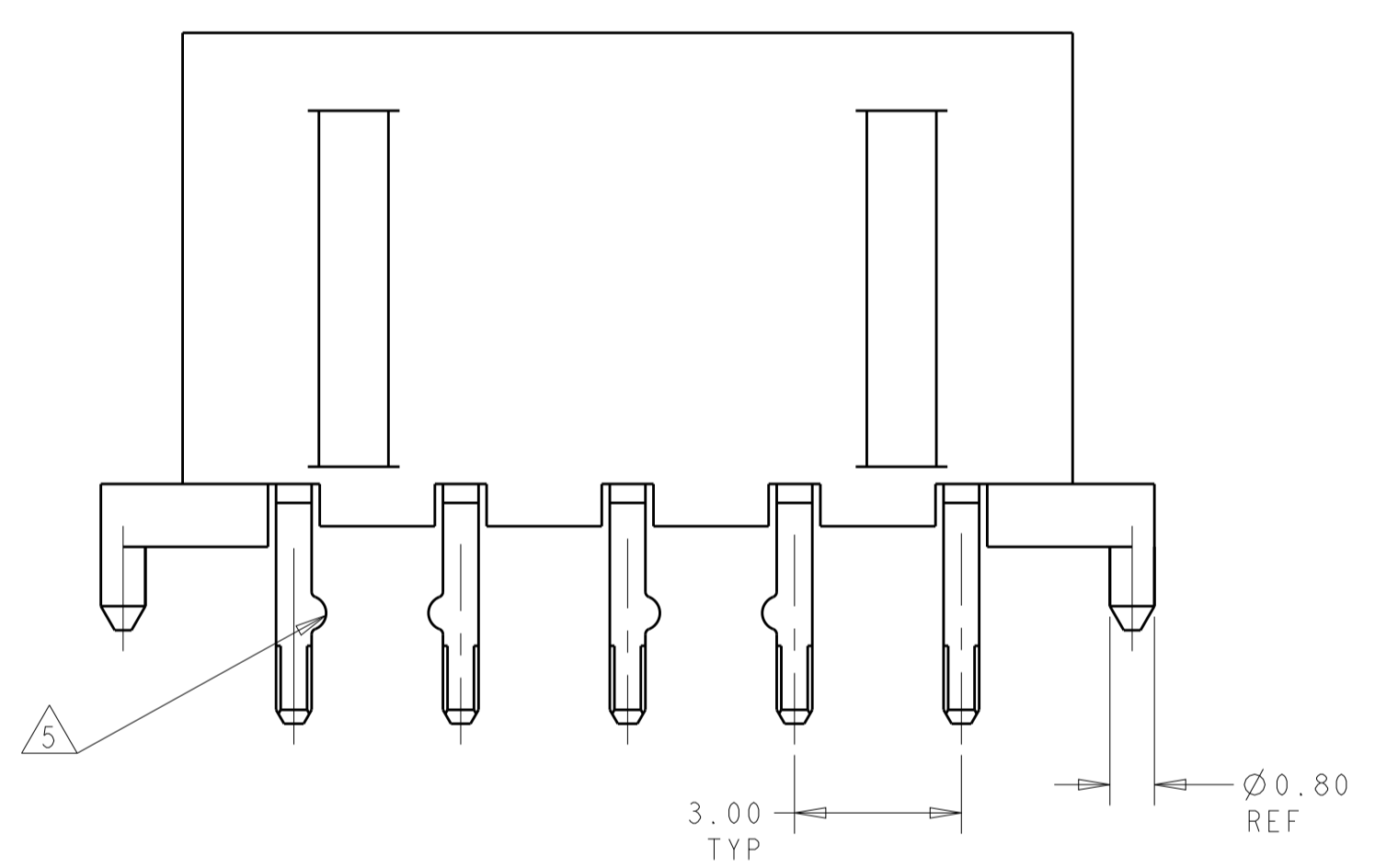


REVISIONS				
P.	LTN	DESCRIPTION	DATE	APPROV
B2		REVISED PER ECR-16-011494	20JUN2017	NK CX
B3		REVISED PER ECR-16-017083	29DEC2017	C.X D.Z
B4		ECO-19-006934	13MAY2019	AP WS



- 1 MATERIAL: CONTACTS - BRASS
HOUSING - UL 94V-0 RATED HIGH TEMP NYLON, COLOR BLACK.
- 2 PLATING: CONTACTS - 0.76µm MINIMUM GOLD ON MATING END,
2.54µm MINIMUM TIN LEAD ON SOLDER TAILS, BOTH OVER
1.27µm MINIMUM NICKEL.
- 4 RECOMMENDED PC BOARD THICKNESS OF 1.57.
- 5 RETENTION BUMP FEATURES FACE EACH OTHER, TYPICAL
ALL CONFIGURATIONS.
- 6 PLATING: CONTACTS - 0.76µm MINIMUM GOLD ON MATING END,
2.54µm MINIMUM MATTE TIN ON SOLDER TAILS, BOTH OVER
1.27µm MINIMUM NICKEL.



PCB LAYOUT COMPONENT SIDE 4

FINISH	CON W/RET BUMP	POS	DIM Z	DIM V	DIM L	NO. OF POSN	PART NUMBER
2		2,1	3.00	9.14	7.00	2	2-1445093-2
2		3,2	6.00	12.14	10.00	3	2-1445093-3
2		4,3,2,1	9.00	15.14	13.00	4	2-1445093-4
2		5,4,3,2	12.00	18.14	16.00	5	2-1445093-5
2		6,5,2,1	15.00	21.14	19.00	6	2-1445093-6
2		7,6,3,2	18.00	24.14	22.00	7	2-1445093-7
2		8,7,2,1	21.00	27.14	25.00	8	2-1445093-8
2		9,8,3,2	24.00	30.14	28.00	9	2-1445093-9
2		10,9,2,1	27.00	33.14	31.00	10	3-1445093-0
2		11,10,3,2	30.00	36.14	34.00	11	3-1445093-1
2		12,11,2,1	33.00	39.14	37.00	12	3-1445093-2
2		2,1	3.00	9.14	7.00	2	2-1445093-2
2		3,2	6.00	12.14	10.00	3	2-1445093-3
2		4,3,2,1	9.00	15.14	13.00	4	2-1445093-4
2		5,4,3,2	12.00	18.14	16.00	5	2-1445093-5
2		6,5,2,1	15.00	21.14	19.00	6	2-1445093-6
2		7,6,3,2	18.00	24.14	22.00	7	2-1445093-7
2		8,7,2,1	21.00	27.14	25.00	8	2-1445093-8
2		9,8,3,2	24.00	30.14	28.00	9	2-1445093-9
2		10,9,2,1	27.00	33.14	31.00	10	3-1445093-0
2		11,10,3,2	30.00	36.14	34.00	11	3-1445093-1
2		12,11,2,1	33.00	39.14	37.00	12	3-1445093-2

SUPERSEDED BY 3-1445093-2
 SUPERSEDED BY 3-1445093-1
 SUPERSEDED BY 3-1445093-0
 SUPERSEDED BY 2-1445093-9
 SUPERSEDED BY 2-1445093-8
 SUPERSEDED BY 2-1445093-7
 SUPERSEDED BY 2-1445093-6
 SUPERSEDED BY 2-1445093-5
 SUPERSEDED BY 2-1445093-4
 SUPERSEDED BY 2-1445093-3
 SUPERSEDED BY 2-1445093-2

THIS DRAWING IS A CONTROLLED DOCUMENT. DWG: 100CT2000
 CHK: J. ROOT 17-APR-2001
 APVD: K. WHITAKER 17-APR-2001
 C. JONES 17-APR-2001

STE TE Connectivity

NAME: VERTICAL THRU HOLE HEADER ASSY.
 0.76 MIC GOLD CONTACTS, W/PCB PLZN
 FEATURE, SGL ROW, MICRO MATE-N-LOK(TM)

PRODUCT SPEC: 108-1836
 APPLICATION SPEC: 114-13000
 SIZE: 114-13000
 WEIGHT: -
 CUSTOMER DRAWING

SCALE: 8:1 SHEET 1 OF 1 REV: B4

Mouser Electronics

Authorized Distributor

Click to View Pricing, Inventory, Delivery & Lifecycle Information:

[TE Connectivity:](#)

[1445093-2](#)