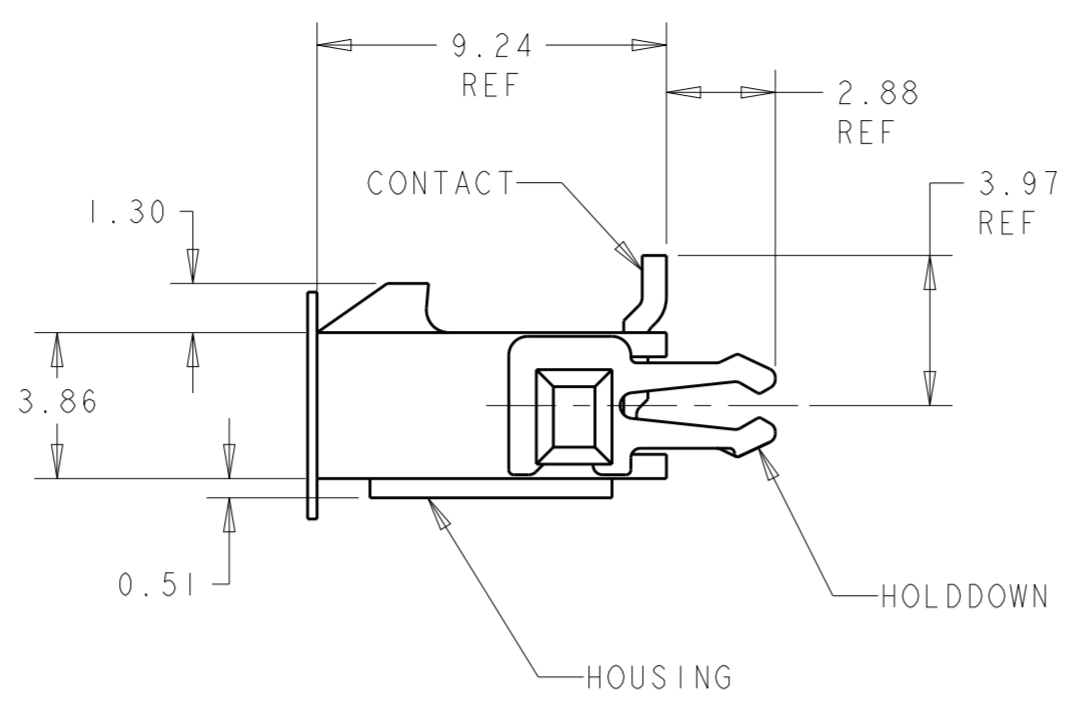
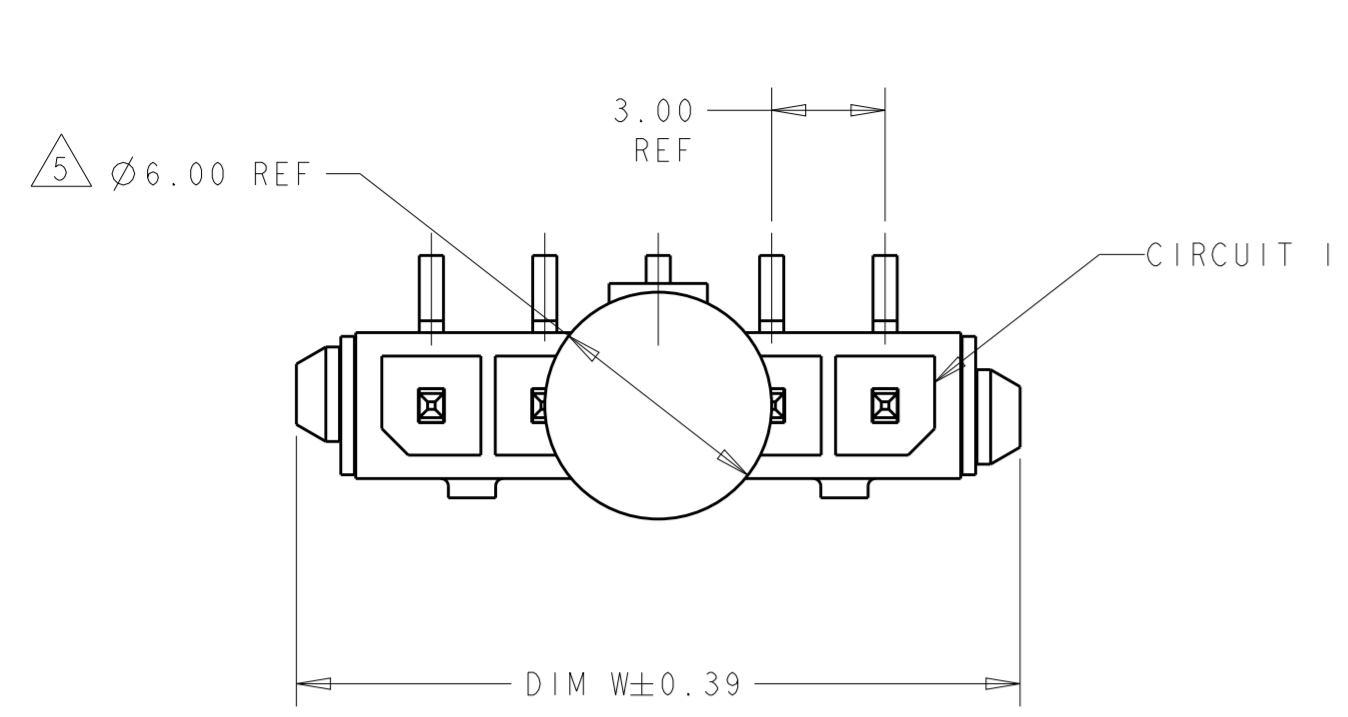
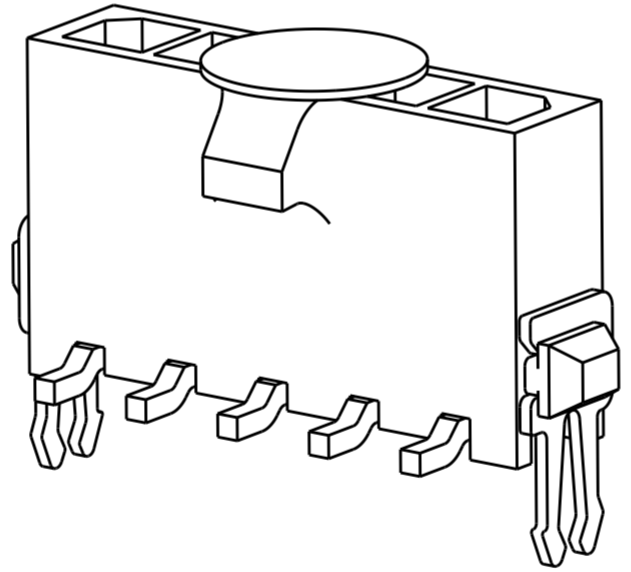
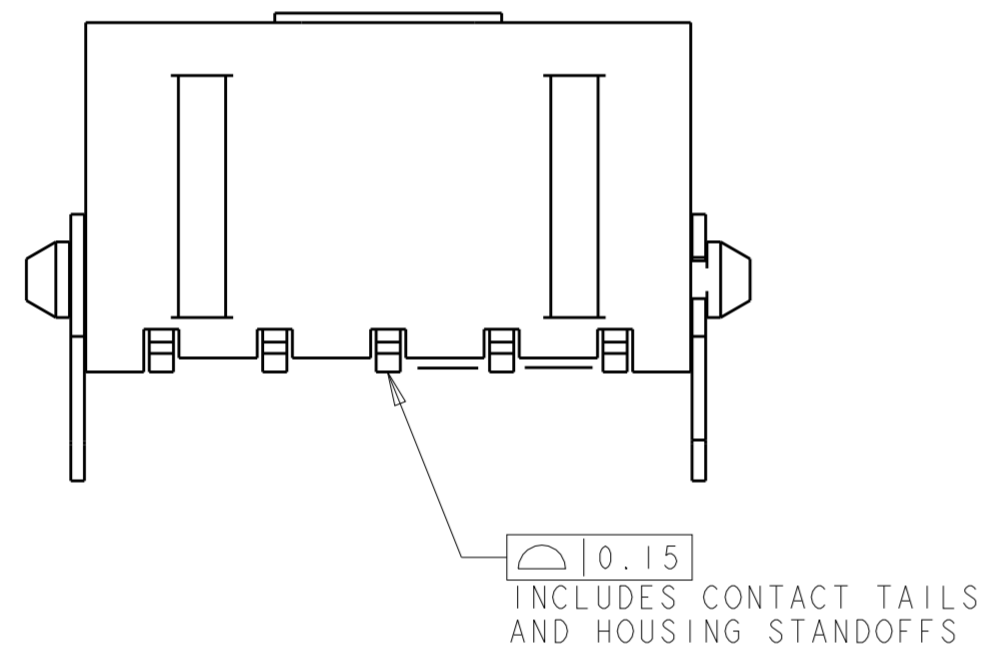


THIS DRAWING IS UNPUBLISHED. RELEASED FOR PUBLICATION 20
 © COPYRIGHT 20 BY - ALL RIGHTS RESERVED.

REVISIONS					
P	LTR	DESCRIPTION	DATE	DWN	APVD
C2		REVISED PER ECR-16-011494	20JUN2017	NK	CX
C3		ECO-19-006934	13MAY2019	AP	WS

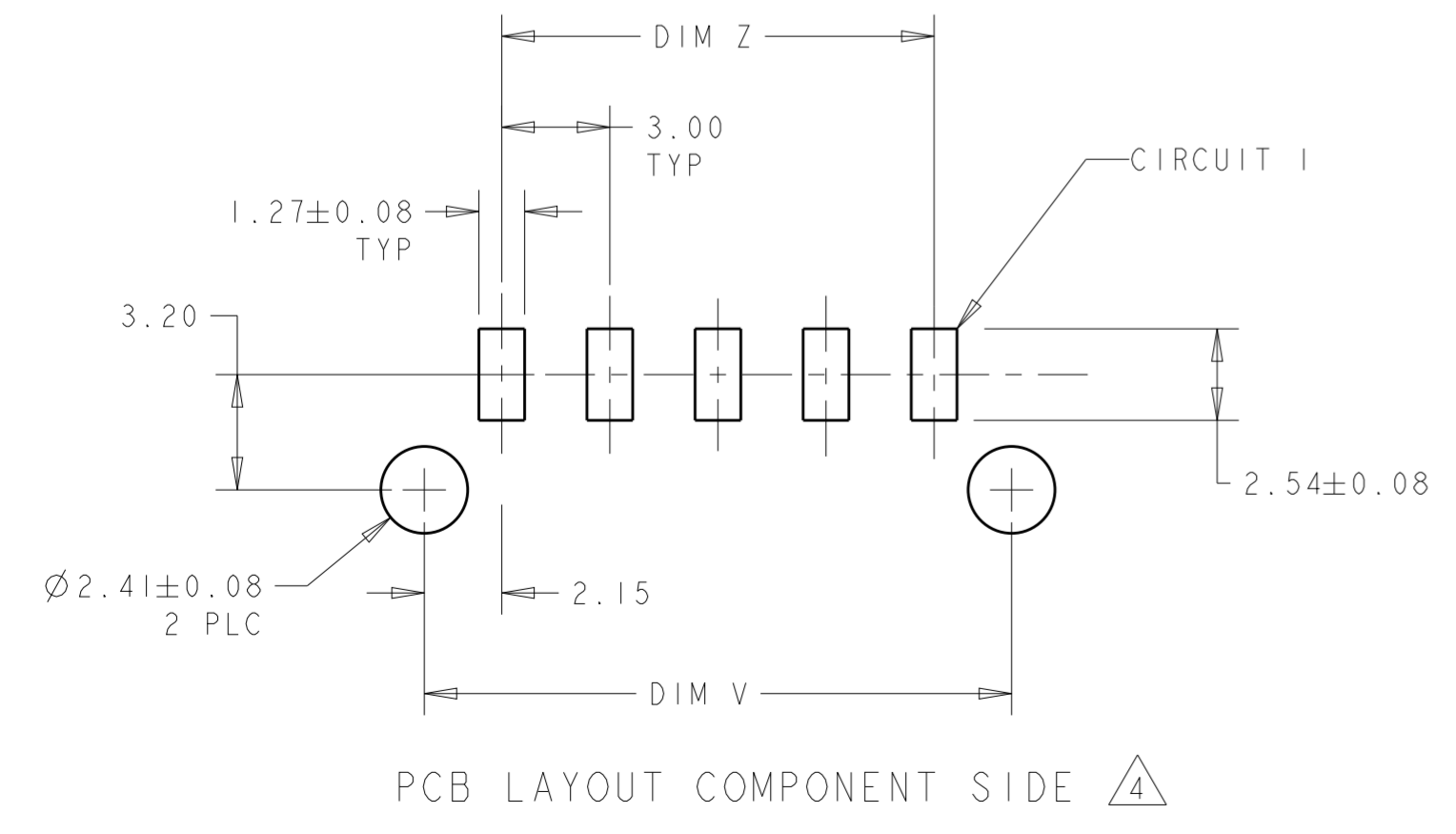


- 1 MATERIAL: CONTACTS - BRASS
HOUSING - UL 94V-0 RATED HIGH TEMP NYLON, COLOR BLACK.
HOLDDOWNS: - PHOSPHOR BRONZE.
- 2 PLATING: CONTACTS - 0.38µm MINIMUM GOLD ON MATING END,
2.54µm MINIMUM TIN LEAD ON SOLDER TAILS, BOTH OVER
1.27µm MINIMUM NICKEL.
HOLDDOWNS: 2.54µm MINIMUM TIN-LEAD OVER 1.27µm MINIMUM
NICKEL.
- 4 RECOMMENDED PC BOARD THICKNESS OF 1.57.
- 5 KAPTON VACUUM PICK UP.
- 6 PLATING: CONTACTS - 0.38µm MINIMUM GOLD ON MATING END,
2.54µm MINIMUM MATTE TIN ON SOLDER TAILS, BOTH OVER
1.27µm MINIMUM NICKEL.
HOLDDOWNS: 2.54µm MINIMUM MATTE TIN OVER 1.27µm MINIMUM
NICKEL.



FINISH	DIM Z	DIM V	DIM W	NO. OF POSN	PART NUMBER
6	33.00	37.43	40.00	12	3-1445086-2
6	30.00	34.43	37.00	11	3-1445086-1
6	27.00	31.43	34.00	10	3-1445086-0
6	24.00	28.43	31.00	9	2-1445086-9
6	21.00	25.43	28.00	8	2-1445086-8
6	18.00	22.43	25.00	7	2-1445086-7
6	15.00	19.43	22.00	6	2-1445086-6
6	12.00	16.43	19.00	5	2-1445086-5
6	9.00	13.43	16.00	4	2-1445086-4
6	6.00	10.43	13.00	3	2-1445086-3
6	3.00	7.43	10.00	2	2-1445086-2
2	33.00	37.43	40.00	12	1-1445086-2
2	30.00	34.43	37.00	11	1-1445086-1
2	27.00	31.43	34.00	10	1-1445086-0
2	24.00	28.43	31.00	9	1-1445086-9
2	21.00	25.43	28.00	8	1-1445086-8
2	18.00	22.43	25.00	7	1-1445086-7
2	15.00	19.43	22.00	6	1-1445086-6
2	12.00	16.43	19.00	5	1-1445086-5
2	9.00	13.43	16.00	4	1-1445086-4
2	6.00	10.43	13.00	3	1-1445086-3
2	3.00	7.43	10.00	2	1-1445086-2

SUPERSEDED BY 3-1445086-2
 SUPERSEDED BY 3-1445086-1
 SUPERSEDED BY 3-1445086-0
 SUPERSEDED BY 2-1445086-9
 SUPERSEDED BY 2-1445086-8
 SUPERSEDED BY 2-1445086-7
 SUPERSEDED BY 2-1445086-6
 SUPERSEDED BY 2-1445086-5
 SUPERSEDED BY 2-1445086-4
 SUPERSEDED BY 2-1445086-3
 SUPERSEDED BY 2-1445086-2



THIS DRAWING IS A CONTROLLED DOCUMENT. DWN J. ROOT 09OCT2000
 CHK K. WHITAKER 20-FEB-2001
 APVD C. JONES 20-FEB-2001

TE Connectivity

VERTICAL SURFACE MOUNT HEADER ASSY,
 15 MIC GOLD CONTACTS, THRU HOLE
 HOLDDOWNS, SGL ROW, MICRO MATE-N-LOK

SIZE A2 CAGE CODE 00779 DRAWING NO. C-1445086
 SCALE 5:1 SHEET 1 OF 1 REV C3

PRODUCT SPEC 108-1836
 APPLICATION SPEC 114-13000
 WEIGHT -

MATERIAL SEE TABLE

Mouser Electronics

Authorized Distributor

Click to View Pricing, Inventory, Delivery & Lifecycle Information:

[TE Connectivity:](#)

[1445086-5](#)