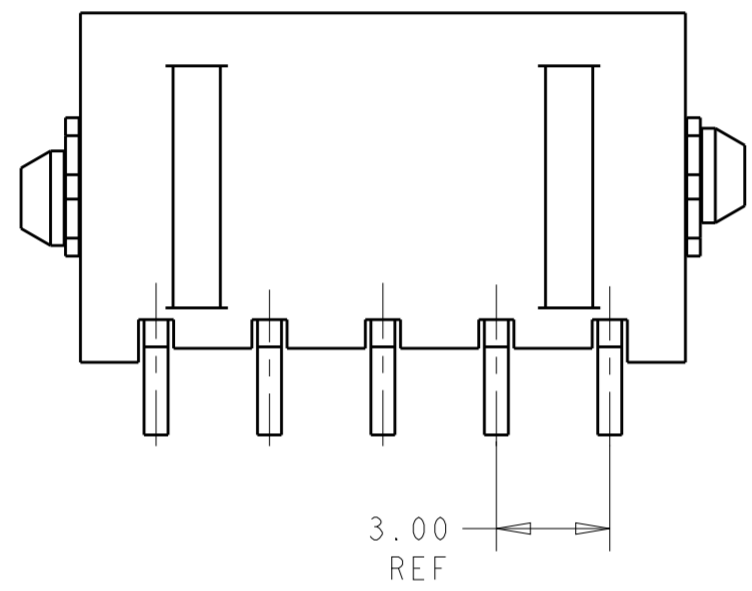
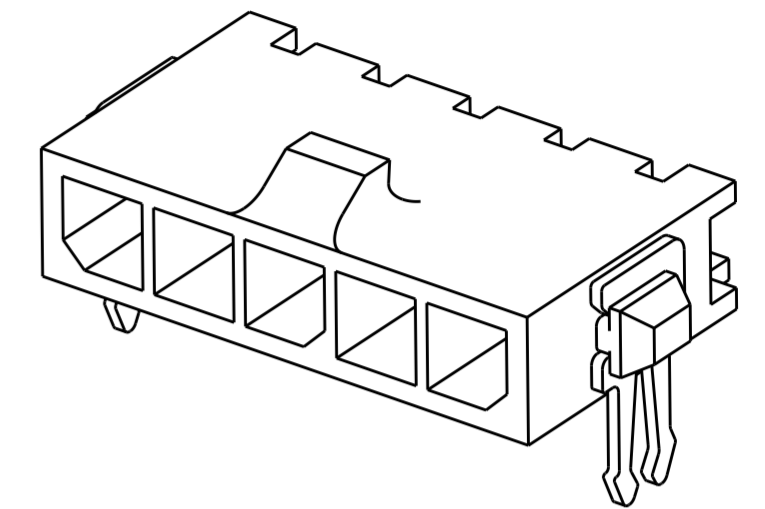
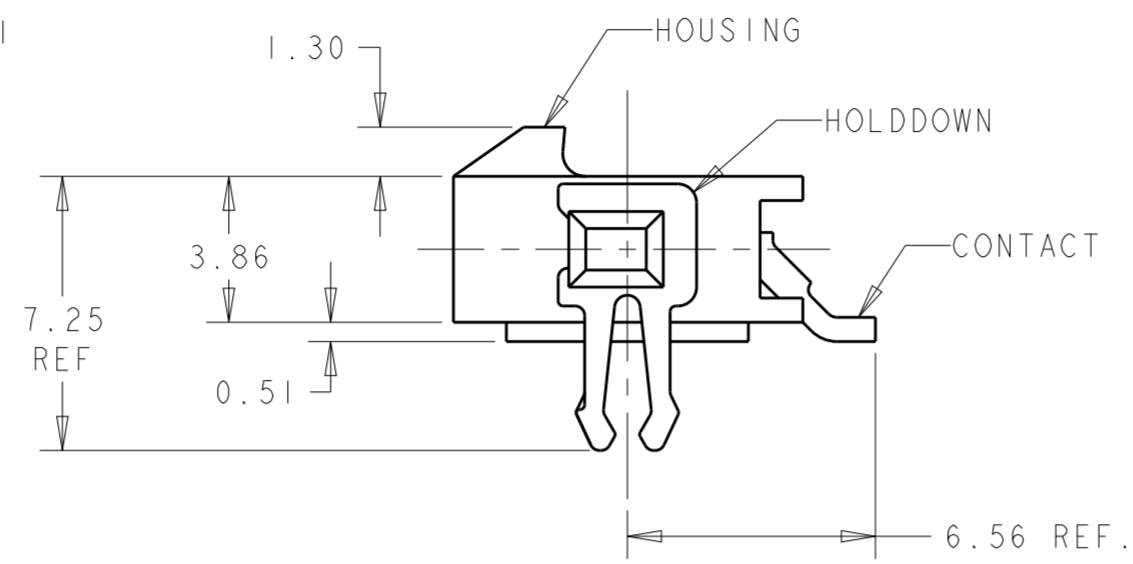
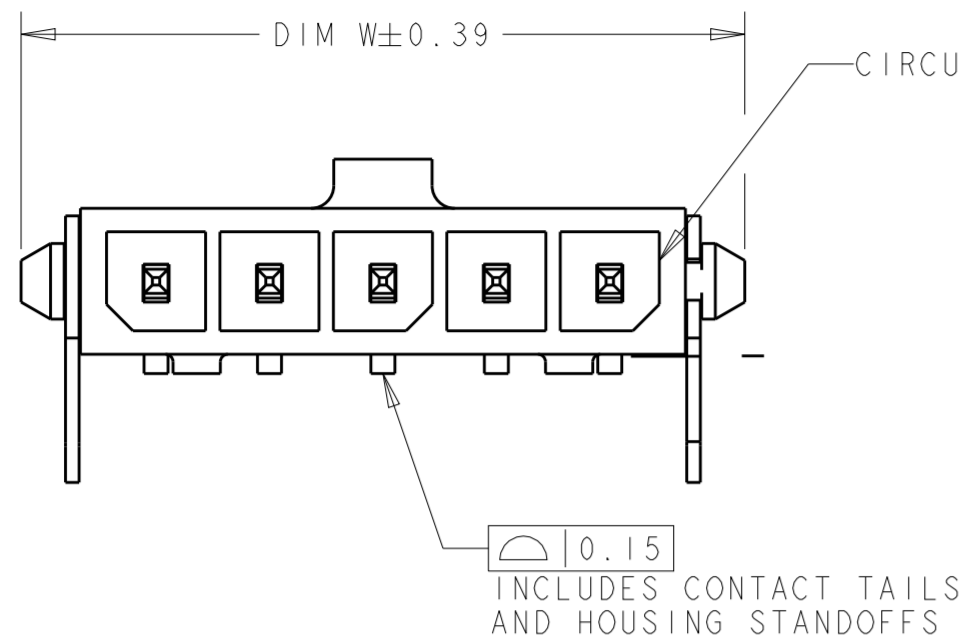


THIS DRAWING IS UNPUBLISHED. RELEASED FOR PUBLICATION 20
 © COPYRIGHT 20 BY - ALL RIGHTS RESERVED.

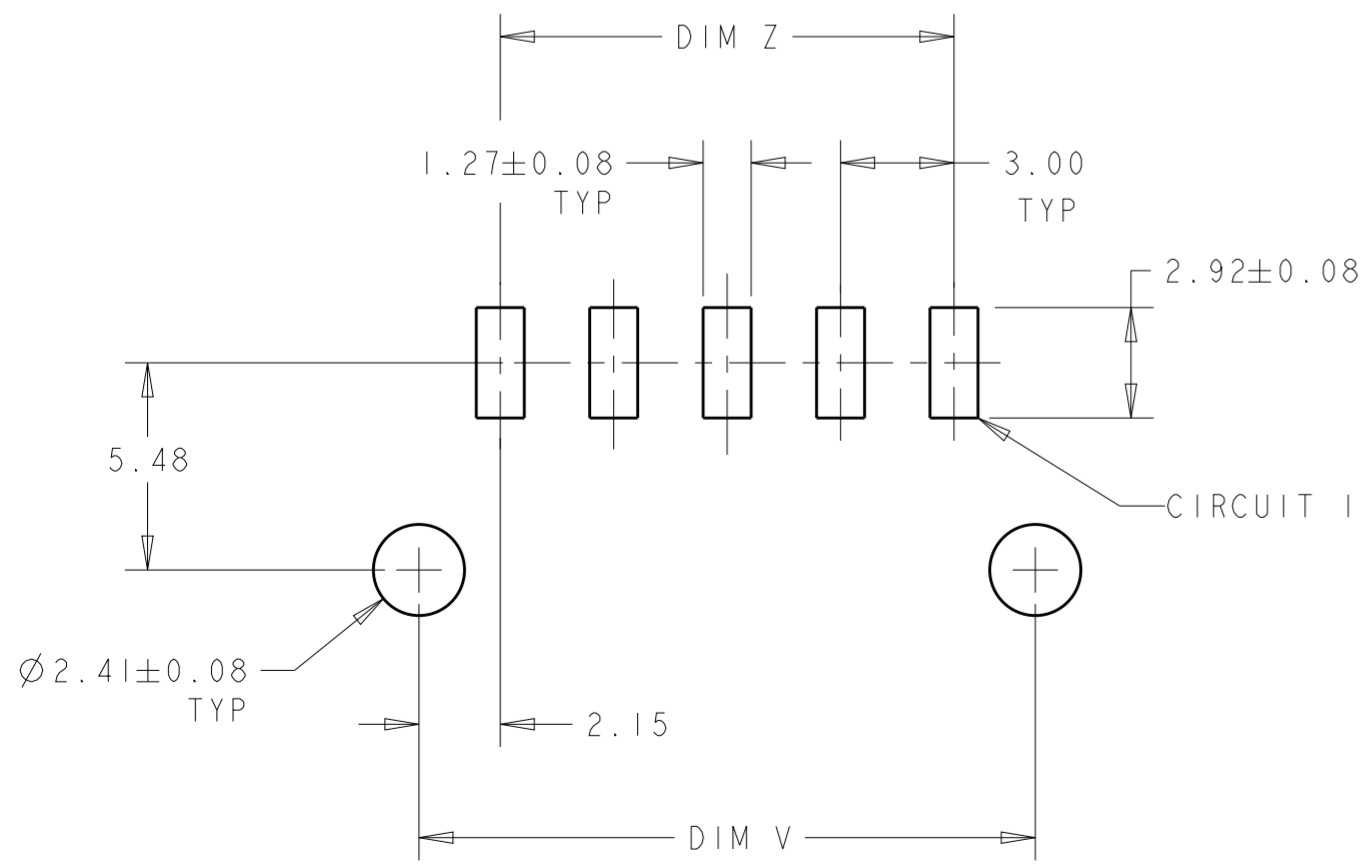
| REVISIONS | | | | | |
|-----------|-----|---------------------------|-----------|-----|------|
| P | LTR | DESCRIPTION | DATE | DWN | APVD |
| C2 | | REVISED PER ECR-16-011494 | 20JUN2017 | NK | CX |
| C3 | | ECO-19-006934 | 13MAY2019 | AP | WLS |
| C4 | | REVISED PER ECO-20-010933 | 05AUG2020 | WLS | VS |



- 1 MATERIAL: CONTACTS - BRASS
HOUSING - UL 94V-0 RATED HIGH TEMP NYLON, COLOR BLACK.
HOLDDOWNS: - PHOSPHOR BRONZE.
- 2 PLATING: CONTACTS - 2.54µm MINIMUM TIN LEAD OVER 1.27µm MINIMUM NICKEL.
HOLDDOWNS: 2.54µm MINIMUM TIN-LEAD OVER 1.27µm MINIMUM NICKEL.
- 4 RECOMMENDED PC BOARD THICKNESS OF 1.57.
- 5 PLATING: CONTACTS - 2.54µm MINIMUM MATTE TIN OVER 1.27µm MINIMUM NICKEL.
HOLDDOWNS: 2.54µm MINIMUM MATTE TIN OVER 1.27µm MINIMUM NICKEL.

| 5 | 33.00 | 37.43 | 40.00 | 12 | 3-1445056-2 |
|--------|-------|-------|-------|-------------|-------------|
| 5 | 30.00 | 34.43 | 37.00 | 11 | 3-1445056-1 |
| 5 | 27.00 | 31.43 | 34.00 | 10 | 3-1445056-0 |
| 5 | 24.00 | 28.43 | 31.00 | 9 | 2-1445056-9 |
| 5 | 21.00 | 25.43 | 28.00 | 8 | 2-1445056-8 |
| 5 | 18.00 | 22.43 | 25.00 | 7 | 2-1445056-7 |
| 5 | 15.00 | 19.43 | 22.00 | 6 | 2-1445056-6 |
| 5 | 12.00 | 16.43 | 19.00 | 5 | 2-1445056-5 |
| 5 | 9.00 | 13.43 | 16.00 | 4 | 2-1445056-4 |
| 5 | 6.00 | 10.43 | 13.00 | 3 | 2-1445056-3 |
| 5 | 3.00 | 7.43 | 10.00 | 2 | 2-1445056-2 |
| 2 | 33.00 | 37.43 | 40.00 | 12 | 3-1445056-2 |
| 2 | 30.00 | 34.43 | 37.00 | 11 | 3-1445056-1 |
| 2 | 27.00 | 31.43 | 34.00 | 10 | 3-1445056-0 |
| 2 | 24.00 | 28.43 | 31.00 | 9 | 2-1445056-9 |
| 2 | 21.00 | 25.43 | 28.00 | 8 | 2-1445056-8 |
| 2 | 18.00 | 22.43 | 25.00 | 7 | 2-1445056-7 |
| 2 | 15.00 | 19.43 | 22.00 | 6 | 2-1445056-6 |
| 2 | 12.00 | 16.43 | 19.00 | 5 | 2-1445056-5 |
| 2 | 9.00 | 13.43 | 16.00 | 4 | 2-1445056-4 |
| 2 | 6.00 | 10.43 | 13.00 | 3 | 2-1445056-3 |
| 2 | 3.00 | 7.43 | 10.00 | 2 | 2-1445056-2 |
| FINISH | DIM Z | DIM V | DIM W | NO. OF POSN | PART NUMBER |

SUPERSEDED BY 3-1445056-2
 SUPERSEDED BY 3-1445056-1
 SUPERSEDED BY 3-1445056-0
 SUPERSEDED BY 2-1445056-9
 SUPERSEDED BY 2-1445056-8
 SUPERSEDED BY 2-1445056-7
 SUPERSEDED BY 2-1445056-6
 SUPERSEDED BY 2-1445056-5
 SUPERSEDED BY 2-1445056-4
 SUPERSEDED BY 2-1445056-3
 SUPERSEDED BY 2-1445056-2



PCB LAYOUT COMPONENT SIDE 4

THIS DRAWING IS A CONTROLLED DOCUMENT. DWN J.ROOT 03OCT2000
 CHK K.WHITAKER 13-MAR-2001
 APVD K.WHITAKER 13-MAR-2001

STC TE Connectivity

NAME RT ANGLE SURFACE MOUNT HEADER ASSY, TIN CONTACTS W/THRU HOLE HOLDDOWNS, SINGLE ROW, MICRO MATE-N-LOK™

PRODUCT SPEC 108-1836
 APPLICATION SPEC 114-13000

SIZE A2 CAGE CODE 00779 DRAWING NO. C-1445056
 WEIGHT -

RESTRICTED TO -

CUSTOMER DRAWING SCALE 5:1 SHEET 1 OF 1 REV C4

Mouser Electronics

Authorized Distributor

Click to View Pricing, Inventory, Delivery & Lifecycle Information:

[TE Connectivity:](#)

[1-1445056-0](#)